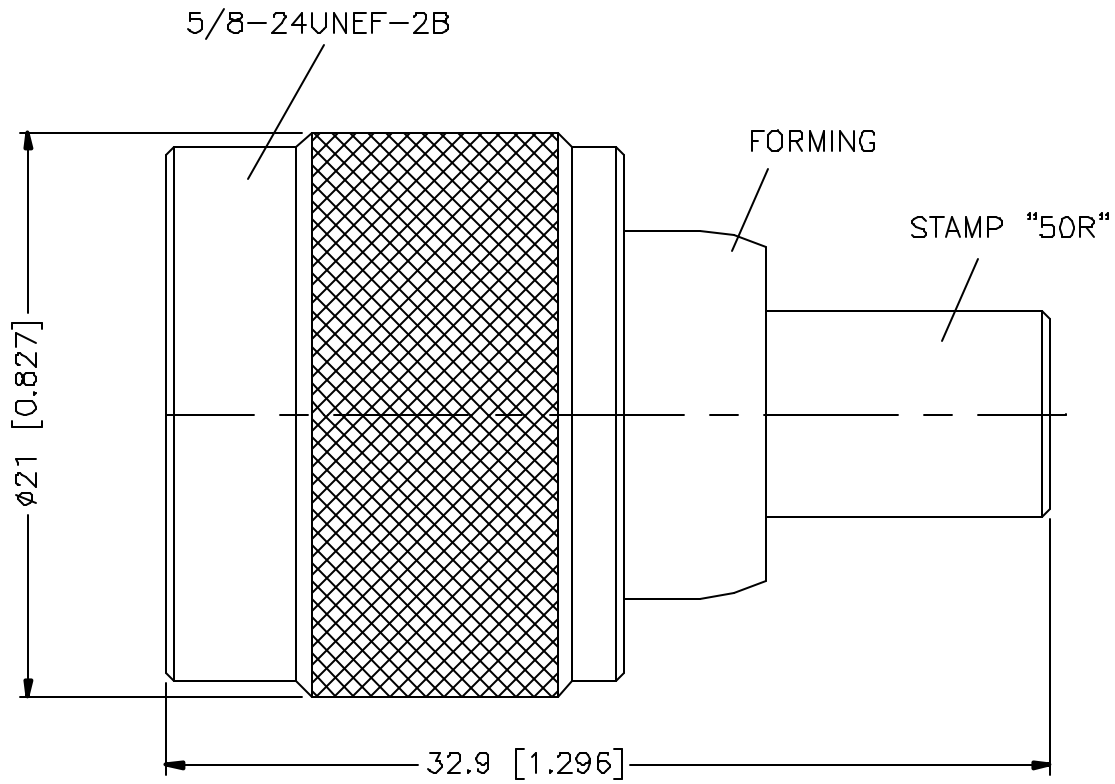



REV.	DATE	DESCRIPTION
NC	01/19/01	INITIAL RELEASE



NOTE:  
RESISTOR TOLERANCE  
50 ohm 5%-1 WATT

DESCRIPTION	MATERIAL	FINISH	UNLESS OTHERWISE SPECIFIED DIMENSIONS ARE IN MILLIMETERS	APPROVALS	DATE				
1 BODY	BRASS	NICKEL	DIMENSIONS IN [ ] ARE IN INCHES	DRAWN G.R.S.	01/19/01				
2 INSULATOR	TEFLON	NATURAL	FOR CUSTOMER REFERENCE ONLY	CHECKED		SIZE A	FSCN NO. 99001	DWG. NO. 202109.DWG	REV. NC
3 CONTACT PIN	BRASS	GOLD	UNLESS OTHERWISE SPECIFIED TOLERANCES FOR MILLIMETERS ARE:	ISSUED		SCALE NA	PART NO. 202109	SHEET 1 OF 1	
4			0.5-8 = ± 0.2						
5			8-30 = ± 0.4						
6			30-120 = ± 0.6						
7			120-315 = ± 1						
8			315-1000 = ± 1.6						
			1000-2000 = ± 2.4						
			DO NOT SCALE DRAWING						