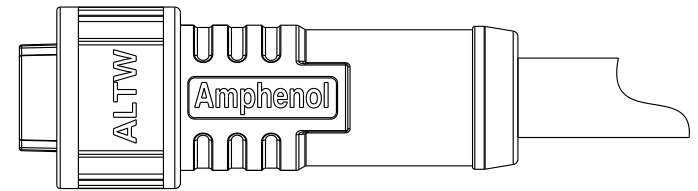
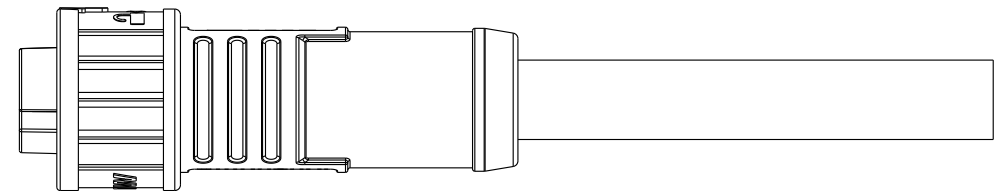
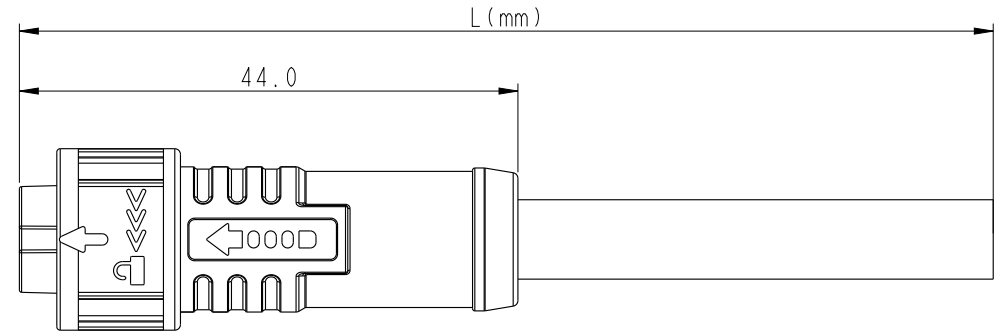
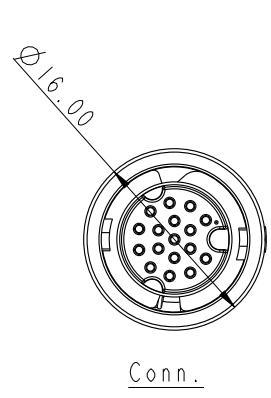


THIS DOCUMENT IS SUBJECT TO CHANGE WITHOUT NOTICE. IT IS CONFIDENTIAL AND A PROPERTY OF AMPHENOL LTW. DISCLOSURE TO THIRD PARTY HAS TO BE AUTHORIZED BY AMPHENOL LTW.

REV.	ECN NO.	DATE	SIGN	DESCRIPTION



- Note:
- * Important Dimension To Check.
 - * Waterproof Rate: IP68(Mated)
 - * Flame Class: UL94V-0 (UV Resistance)
 - * Housing: Thermoplastic, Black.
 - * Female Pin: Copper Alloy, Gold Plated.
 - * Nut: Thermoplastic, Black.
 - * Outer Mold: Thermoplastic, Black.
 - * O-Ring: Rubber, Black
 - * Rated Current: 10~17Pin 1.5A(30V)
 - * Cable:UL2517 PVC Black
 - * Cable Length Tolerance: 01M:±40mm
02M~05M:±60mm
06M~10M:±100mm

UNIT:mm		
TOLERANCE	±0.5mm	

TITLE X-Lok A Size 17Pin F Connector			
SCALE 1:1	SIZE A4	SHEET 1 OF 2	
REV. A	WC-REV. .0	:Inspection item	

Amphenol LTW
安費諾亮泰企業股份有限公司

ITEM NO	DRAWN BY Ouyang	DATE 2020-11-27
DWG NO AZ-XXBFFM-QL8XXX	CHECKED BY Jerry	DATE 2020-11-27
CUSTOMER ALTW	APPROVED BY Fred	DATE 2020-11-27

THIS DOCUMENT IS SUBJECT TO CHANGE WITHOUT NOTICE. IT IS CONFIDENTIAL AND A PROPERTY OF AMPHENOL LTW. DISCLOSURE TO THIRD PARTY HAS TO BE AUTHORIZED BY AMPHENOL LTW.

AZ: 1.5A
 10: 10Pin
 12: 12Pin
 17: 17Pin

B: Without Strain Relief
 F: Female Connector(母座)
 F: Female Pin(母Pin)

XX: 01~99Meters
 01: 01Meter
 02: 02Meters
 :
 99: 99Meters

C: UL2517(Black) PVC Cable-Data Group

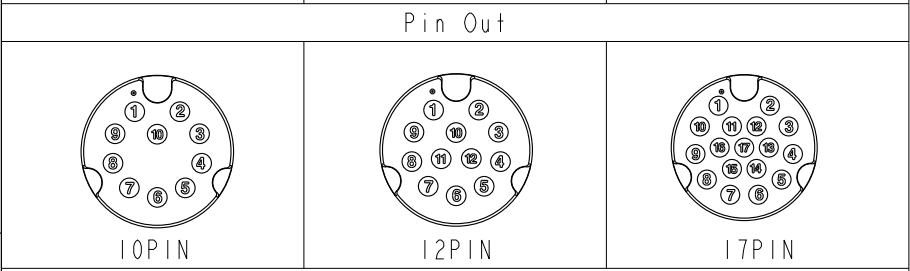
8: IP68(防水等級68)

L: Straight(180°線端)

Q: Push Lock

M: Molding Type(射出成型)

10	Violet	紫黑	10	Violet	紫黑	17	White/Gray	白/灰
9	Black	黑	9	Black	黑	16	Yellow/Brown	黃/棕
8	Red	紅	8	Red	紅	15	White/Yellow	白/黃
7	Blue	藍	7	Blue	藍	14	Brown/Green	棕/綠
6	Pink	粉	6	Pink	粉	13	White/Green	白/綠
5	Gray	灰	5	Gray	灰	12	Red/Blue	紅/藍
4	Yellow	黃	4	Yellow	黃	11	Gray/Pink	灰/粉
3	Green	綠	3	Green	綠	10	Violet	紫
2	Brown	棕	2	Brown	棕	9	Red	紅
1	White	白	1	White	白	8	Gray	灰
						7	Black	黑
						6	Yellow	黃
						5	Pink	粉
						4	Green	綠
						3	White	白
						2	Blue	藍
						1	Brown	棕



Pin Assignments Front View(10~17PIN)

UNIT:mm		TITLE
TOLERANCE	±0.5mm	X-LOK A Size 17Pin F Connector
SCALE	1:1	SIZE A4
REV.	A	SHEET 2 OF 2
		WC-REV. .0
		QC: Inspection item

Amphenol LTW
 安費諾亮泰企業股份有限公司

ITEM NO	DRAWN BY	DATE
DWG NO	CHECKED BY	DATE
CUSTOMER	APPROVED BY	DATE
ALTW	Ouyang Jerry Fred	2020-11-27 2020-11-27 2020-11-27