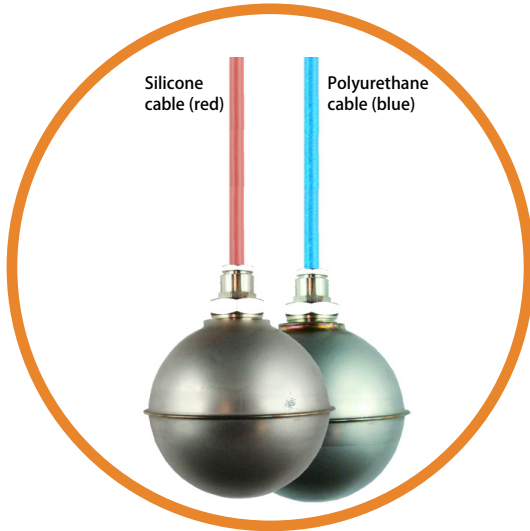


# MC SERIES FLOAT SWITCH

## HIGH TEMPERATURE CABLE END FLOAT SWITCH



The MC Series cable-end float switch is insensitive to humidity and condensation and is designed to control liquids up to 130°C and a maximum pressure of 4 bar. Because of the temperature at which this float switch is used, the outer casing is made from 304 AISI stainless steel and the 5m electric cable is equipped with an outer sheath resistant to high temperature. Two cable types are available - polyurethane and silicone, to suit the fluid being measured.

The switching element is a microswitch, with gold plated contacts, activated by a moving stainless steel ball and having an electrical life of 200,000 operations. Nonhygroscopic closed cell expanded polyurethane is injected around the switch housing within the outer casing, hermetically sealing the unit. The microswitch is suitable for low power applications such as PLC use and other electronic uses.

When used with the polyurethane cable it is suitable for use in fuel oils. Note, the cable is non-replaceable, in case of damage the whole device must be replaced.

### Features

- Low power switching
- Up to 130°C capability
- Cable mounting

Each unit is supplied complete with a counterweight

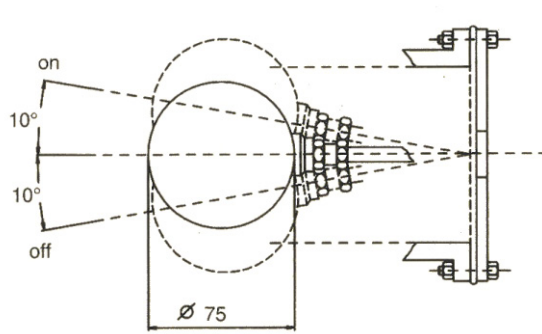
## SPECIFICATIONS

### Technical

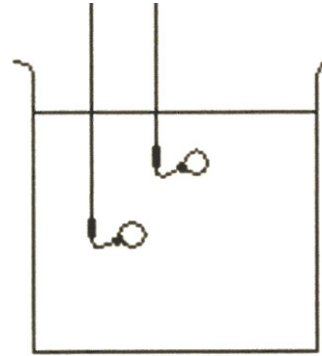
Part No.	MC05A	MC05AH	MC05B	MC05BH
Contact Form	N/O		N/C	
Switching Current Max. Resistive (A)	0.25			
Power Rating (VA)	3			
Max DC V	60			
Cable Material	Polyurethane	Silicone	Polyurethane	Silicone
Cable length	5m with protective earth wire included			
Body Material	304 Stainless steel			
Temp Range	°C	0 / +80	0 / +130	0 / +80
	°F	+ 32 / +176	+ 32 / + 266	+ 32 / +176
Max. working pressure bar	4			



## DIMENSIONS



**Side Mount  
(thru side wall)**



**Top Mount  
(using counterweight)**

Sensata Technologies, Inc. ("Sensata") data sheets are solely intended to assist designers ("Buyers") who are developing systems that incorporate Sensata products (also referred to herein as "components"). Buyer understands and agrees that Buyer remains responsible for using its independent analysis, evaluation and judgment in designing Buyer's systems and products. Sensata data sheets have been created using standard laboratory conditions and engineering practices. Sensata has not conducted any testing other than that specifically described in the published documentation for a particular data sheet. Sensata may make corrections, enhancements, improvements and other changes to its data sheets or components without notice.

Buyers are authorized to use Sensata data sheets with the Sensata component(s) identified in each particular data sheet. HOWEVER, NO OTHER LICENSE, EXPRESS OR IMPLIED, BY ESTOPPEL OR OTHERWISE TO ANY OTHER SENSATA INTELLECTUAL PROPERTY RIGHT, AND NO LICENSE TO ANY THIRD PARTY TECHNOLOGY OR INTELLECTUAL PROPERTY RIGHT, IS GRANTED HEREIN. SENSATA DATA SHEETS ARE PROVIDED "AS IS". SENSATA MAKES NO WARRANTIES OR REPRESENTATIONS WITH REGARD TO THE DATA SHEETS OR USE OF THE DATA SHEETS, EXPRESS, IMPLIED OR STATUTORY, INCLUDING ACCURACY OR COMPLETENESS. SENSATA DISCLAIMS ANY WARRANTY OF TITLE AND ANY IMPLIED WARRANTIES OF MERCHANTABILITY, FITNESS FOR A PARTICULAR PURPOSE, QUIET ENJOYMENT, QUIET POSSESSION, AND NON-INFRINGEMENT OF ANY THIRD PARTY INTELLECTUAL PROPERTY RIGHTS WITH REGARD TO SENSATA DATA SHEETS OR USE THEREOF.

All products are sold subject to Sensata's terms and conditions of sale supplied at [www.sensata.com](http://www.sensata.com) SENSATA ASSUMES NO LIABILITY FOR APPLICATIONS ASSISTANCE OR THE DESIGN OF BUYERS' PRODUCTS. BUYER ACKNOWLEDGES AND AGREES THAT IT IS SOLELY RESPONSIBLE FOR COMPLIANCE WITH ALL LEGAL, REGULATORY AND SAFETY-RELATED REQUIREMENTS CONCERNING ITS PRODUCTS, AND ANY USE OF SENSATA COMPONENTS IN ITS APPLICATIONS, NOTWITHSTANDING ANY APPLICATIONS-RELATED INFORMATION OR SUPPORT THAT MAY BE PROVIDED BY SENSATA.

Mailing Address: Sensata Technologies, Inc., 529 Pleasant Street, Attleboro, MA 02703, USA.

## CONTACT US

Cynergy3 Components Ltd.  
7 Cobham Road,  
Ferndown Industrial Estate,  
Wimborne, Dorset,  
BH21 7PE, United Kingdom