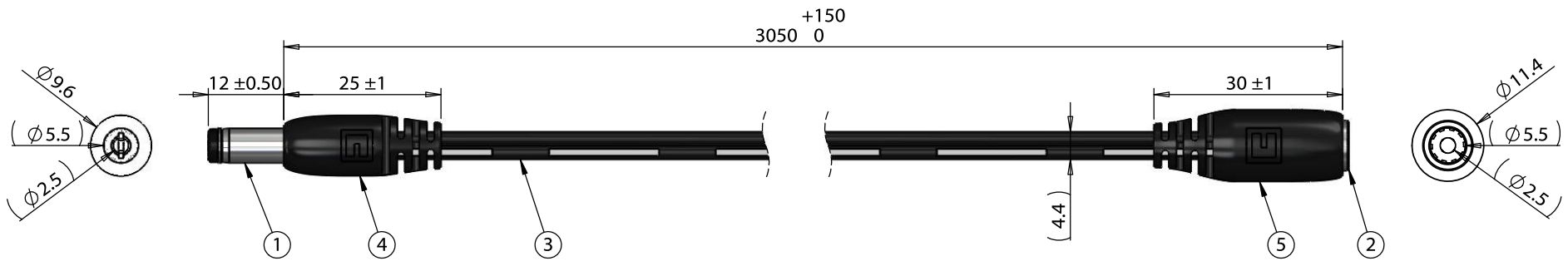


| ITEM NO. | PART NUMBER | DESCRIPTION  | QTY. | COMPONENT NOTES |
|----------|-------------|--|------|-----------------|
| 1        | 50-00026    | Connector, dc plug, 5.5x2.5xL23 mm, molding style, spring contacts | 1    |                 |
| 2        | 50-00027    | Connector, dc jack, 5.5x2.5xL17.4 mm, molding style                | 1    |                 |
| 3        | 30-00007    | Wire, 2C BC, 18 AWG, UL2468, 300V, 80C, 4.4 mm, VW-1, PVC, 87A     | 1    |                 |
| 4        | 24-00003    | Overmold, PVC  | 1    | black           |
| 5        | 24-00004    | Overmold, PVC  | 1    | black           |



**Notes:**  
Functionally equivalent components may be substituted

| Wiring Diagram |                   |          |
|----------------|-------------------|----------|
| 50-00026       | wire color        | 50-00027 |
| center         | black with stripe | center   |
| sleeve         | black             | sleeve   |

|           |            |                 |  |  |  |
|-----------|------------|-----------------|--|--|--|
| Revision: | Date:      | Description:    | Prepared:  | Notes:   | <h1>TENSILITY</h1> <p>tel 1.541.323.3228 800 877.670.7118<br/>fax 1.541.323.4202 web tensility.com</p> |
| A         | 11/22/2016 | Initial release | AW<br><small>Digitally signed by AW<br/>Date: 2018.06.12<br/>10:53:11 -07'00'</small>            |  |  |
|           |            |                 | Verified:  | Function test: no open, no short circuit, no intermittent  | Size:  |
|           |            |                 | AG<br><small>Digitally signed by AG<br/>Date: 2018.06.12 16:20:15<br/>-07'00'</small>            | Description:   | Part number:   |
|           |            |                 | Dimensions are in millimeters.<br>Tolerances:<br>X: ± 0.5 mm<br>X.X: ± 0.3 mm<br>X.XX: ± 0.05 mm | Cable, 3050 mm, 5.5x2.5x12 mm 50-00026 dc plug to 5.5x2.5 mm 50-00027 dc jack, 18 AWG, 30-00007 wire | A<br>10-02397  |
|           |            |                 |  |  | Scale: 1:1   |
|           |            |                 |  |  | Sheet 1 of 1   |

5

4

3

2

1