

THIS DRAWING IS UNPUBLISHED. RELEASED FOR PUBLICATION JUNE , 2005.

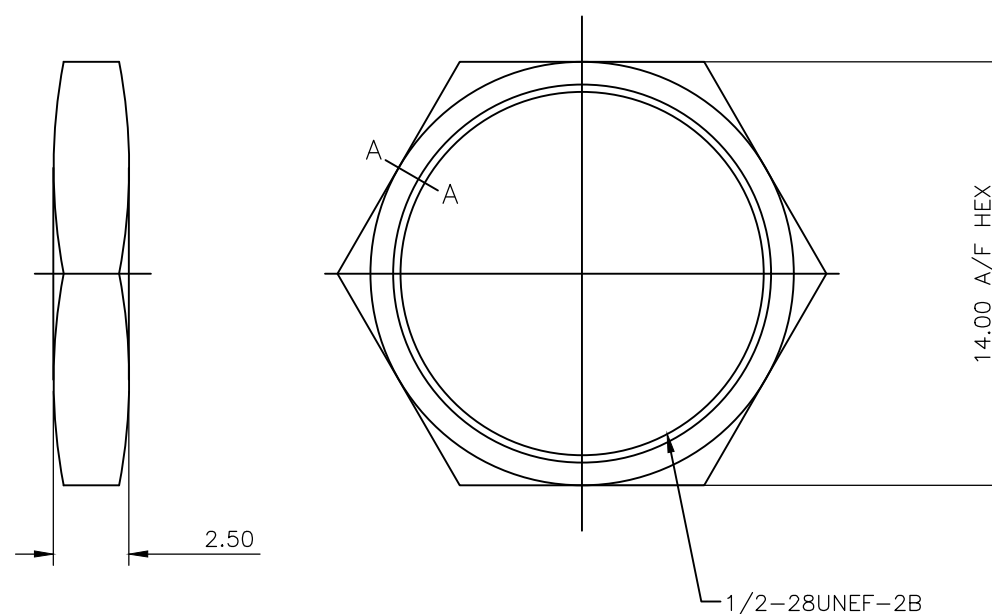
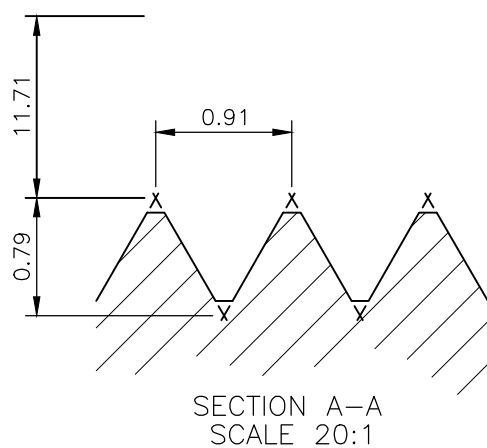
© COPYRIGHT 2005 By - ALL RIGHTS RESERVED.

REVISIONS

| P | LTR | DESCRIPTION | DATE | DWN | APVD |
|---|-----|---------------------------|-----------|-----|------|
| | B | REVISED PER ECR-19-008768 | 05NOV2019 | ED | RS |

NOTES:

- 1 SINGLE PACK IN ACCORDANCE WITH AMP SPEC 107-3275
- 2 Ni PLATING OVER Cu PLATING
- 3 FOR TECHNICAL DATA REFER TO YOUR LOCAL TE CONNECTIVITY SALES OFFICE
- 4. ALL DIMENSIONS ARE NOMINAL FOR REFERENCE ONLY UNLESS OTHERWISE STATED



SUPERSEDED TO 9-329631-3

| | | | |
|----------|----------|------------|---------------|
| 1 | BRASS | 2 | HEXAGONAL NUT |
| 1-0 | MATERIAL | | DESCRIPTION |
| | | | |
| QUANTITY | | PARTS LIST | |

| | | | | | | | | | | | | | | | | | |
|--|-----------|--------|-----------------|---------|------------------------|-------|-----|-----------|--------|------------|-----------|---------------|-------|-----|--------|-----|--------------|
| THIS DRAWING IS A CONTROLLED DOCUMENT. | | DWN | J. SANDWELL | 08JAN04 | TE Connectivity | | | | | | | | | | | | |
| DIMENSIONS: mm | | CHK | S. PARLOW | 28JUN05 | | | | | | | | | | | | | |
| TOLERANCES UNLESS OTHERWISE SPECIFIED: | | APVD | F. WHEELER-KING | 28JUN05 | | | | | | | | | | | | | |
| <table border="0"> <tr><td>0 PLC</td><td>± -</td></tr> <tr><td>1 PLC</td><td>± -</td></tr> <tr><td>2 PLC</td><td>± -</td></tr> <tr><td>3 PLC</td><td>± -</td></tr> <tr><td>4 PLC</td><td>± -</td></tr> <tr><td>ANGLES</td><td>± -</td></tr> </table> | | 0 PLC | ± - | 1 PLC | | | | ± - | 2 PLC | ± - | 3 PLC | ± - | 4 PLC | ± - | ANGLES | ± - | PRODUCT SPEC |
| 0 PLC | ± - | | | | | | | | | | | | | | | | |
| 1 PLC | ± - | | | | | | | | | | | | | | | | |
| 2 PLC | ± - | | | | | | | | | | | | | | | | |
| 3 PLC | ± - | | | | | | | | | | | | | | | | |
| 4 PLC | ± - | | | | | | | | | | | | | | | | |
| ANGLES | ± - | | | | | | | | | | | | | | | | |
| MATERIAL | SEE TABLE | FINISH | SEE TABLE | WEIGHT | 0.000000 | SIZE | A3 | CAGE CODE | 00779 | DRAWING NO | C-1634816 | RESTRICTED TO | - | | | | |
| CUSTOMER DRAWING | | | | | | SCALE | NTS | SHEET | 1 OF 1 | REV | B | | | | | | |