



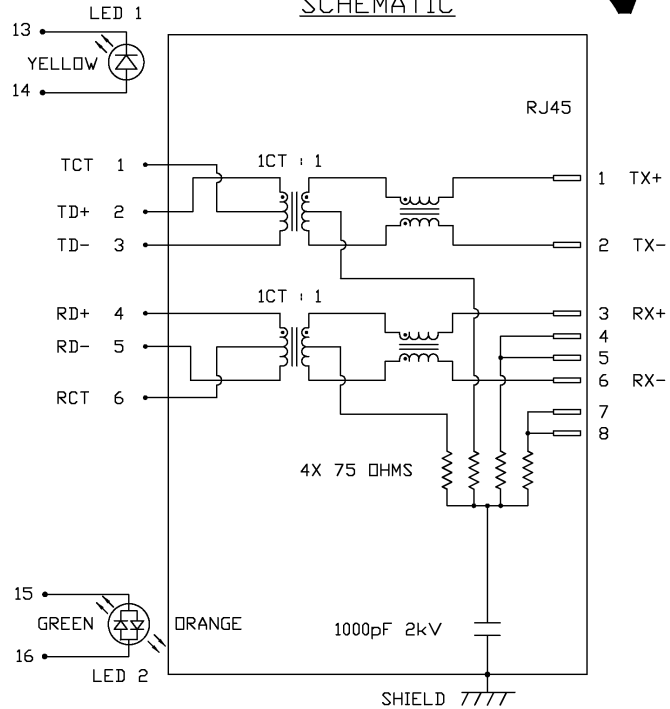
THE INFORMATION CONTAINED HEREIN IS CONSIDERED "PROPRIETARY" TO BEL FUSE INC. AND SHALL NOT BE COPIED, REPRODUCED OR DISCLOSED WITHOUT THE WRITTEN APPROVAL OF BEL FUSE INC.

LED1 POLARITY			LED2 POLARITY		
PIN 13	PIN 14	COLOR	PIN 15	PIN 16	COLOR
-	+	YELLOW	+	-	ORANGE
/	/	/	-	+	GREEN

### ELECTRICAL CHARACTERISTICS @ 25°C

<b>URNS RATIO</b> TX RX  <b>DCL @ 100kHz/100mVRMS</b> 8mA DC BIAS  <b>INS. LOSS</b> 1MHZ TO 100MHZ  <b>RET. LOSS (MIN)</b> 1MHZ-30MHZ 30MHZ-60MHZ 60MHZ-80MHZ  <b>CROSS TALK (TX - RX)</b> 500kHz-100MHZ  <b>CM TO CM REJ</b> 100kHz-100MHZ  <b>CM TO DM REJ</b> 100kHz-100MHZ  <b>HIPOT (Isolation Voltage):</b>  <b>OPERATING TEMPERATURE:</b>  <b>LED 1</b> VF (FORWARD VOLTAGE) λD (DOMINANT WAVELENGTH)  <b>LED 2</b> VF (FORWARD VOLTAGE) λD (DOMINANT WAVELENGTH)	1CT : 1 1CT : 1  350μH MIN.  -1.0 dB MAX  -18 dB -18+20LOG(F/30MHZ) dB -12 dB  -35 dB MIN  -30 dB MIN  -40 dB MIN  1500 Vrms or 2250 VDC  -40°C TO 85°C  IF=20mA YELLOW 2.1V TYP. IF=20mA YELLOW 590nm TYP.  IF=20mA GREEN 2.2V TYP. ORANGE 2.0V TYP. IF=20mA GREEN 565nm TYP. ORANGE 610nm TYP.
--	---

### SCHEMATIC



### USB ELECTRICAL:

INSULATION RESISTANCE:	1000 MEGAΩ (MIN)
CONTACT RESISTANCE:	25 MILLI Ω (MAX)
DIELECTRIC WITHSTANDING:	750 VAC

ORIGINATED BY CHUNG	DATE 06-05-05	TITLE MagJack® Combo (single USB, Ext. Temp. MDIX)	PART NO. / DRAWING NO. 08211X1T36-F	STANDARD DIM. TOL. IN INCH	[ ] METRIC DIM. AS REFERENCE
				.X .XX .XXX	UNIT : INCH [mm] SCALE : N/A PAGE : 2
DRAWN BY DE	DATE 06-05-05	FILE NAME 0821-1X1T-36-F	08211X1T36-FA.DWG		REV. : A SIZE : A4 PAGE : 2

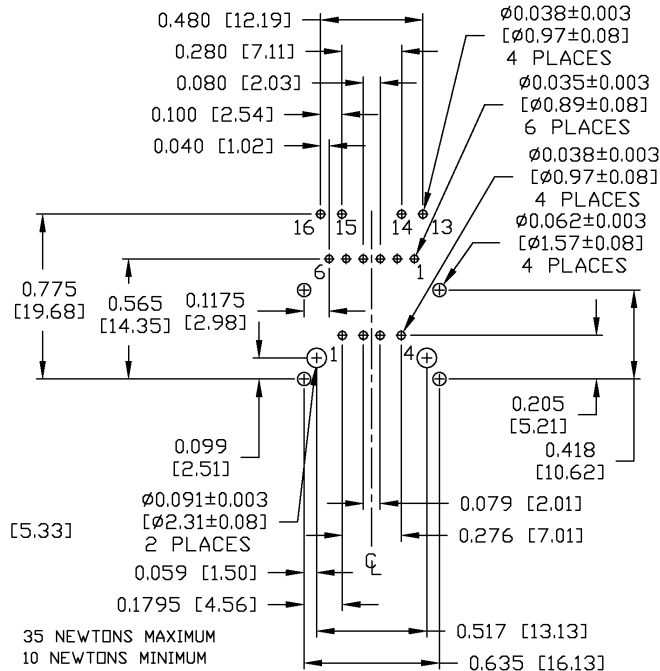
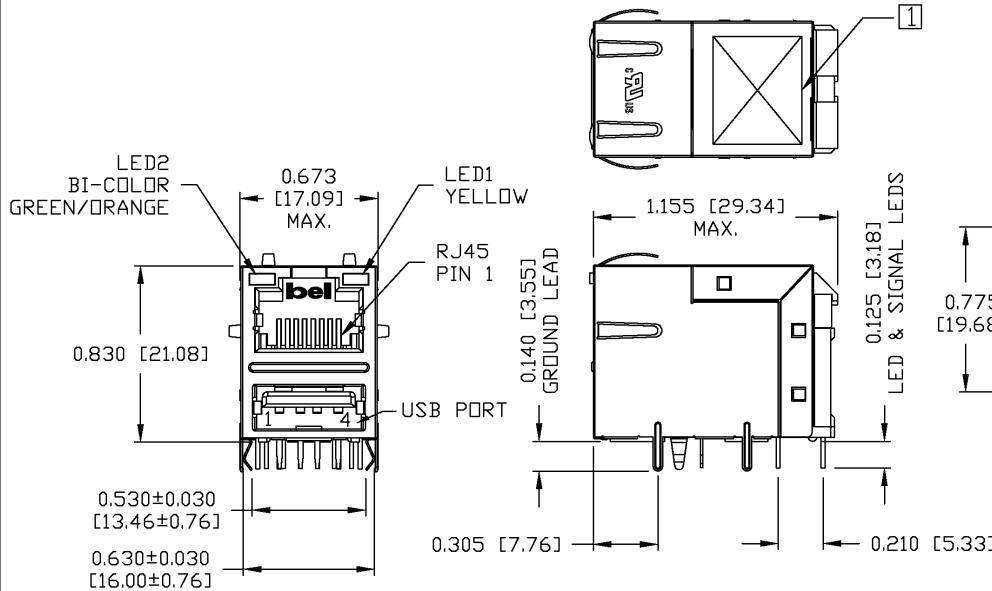


THE INFORMATION CONTAINED HEREIN IS CONSIDERED "PROPRIETARY" TO BEL FUSE INC. AND SHALL NOT BE COPIED, REPRODUCED OR DISCLOSED WITHOUT THE WRITTEN APPROVAL OF BEL FUSE INC.



### MECHANICAL SPECIFICATION

### RECOMMENDED PCB FOOTPRINT COMPONENT SIDE VIEW



**RJ45 MECHCNICAL:**

PLASTIC HOUSING: THERMOPLASTIC PBT  
 FLAMMABILITY RATING UL 94V-0  
 CONTACT PLATING: 30 MICRO-INCH HARD GOLD PLATING  
 PINS: TIN-COATED COPPER WIRE, DIA 0.018 INCH.  
 METAL SHIELD: TIN OR NICKEL PLATED ON COPPER ALLDY.  
 (ALL NICKEL PLATED GROUND LEADS ARE SOLDER DIPPED)

RoHS COMPLIANCE, PER EU DIRECTIVE 2002/95/EC.

**USB MECHANICAL:**

MATING FORCE: 35 NEWTONS MAXIMUM  
 UNMATING FORCE: 10 NEWTONS MINIMUM  
 CONTACT: PROSPER BRONZE  
 30 MICRO-INCH MIN GOLD PLATING ON CONTACT AREA AND LEAD-FREE TIN ON SOLDER TAIL.  
 MARK PART WITH MFG. LOGO, MFG. NAME, PART NUMBER, AND DATE CODE.

UL US UL RECOGNIZED - FILE #E196366 AND E169987.

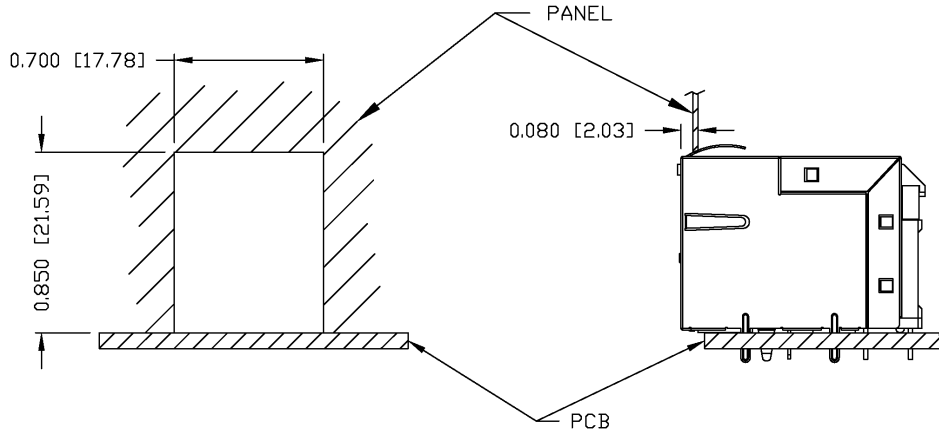
ORIGINATED BY BILL/KEUNG	DATE 06-05-05	TITLE MagJack® Combo (single USB, Ext. Temp. MDIX)	PART NO. / DRAWING NO. 08211X1T36-F	STANDARD DIM. TOL. IN INCH	[ ] METRIC DIM. AS REFERENCE
				.X .XX .XXX ±0.010	UNIT : INCH [mm] SCALE : N/A PAGE : 3
DRAWN BY QIN	DATE 06-05-05	FILE NAME 0821-1X1T-36-F	08211X1T36-FA.DWG		REV. : A SIZE : A4 PAGE : 3



THE INFORMATION CONTAINED HEREIN IS CONSIDERED "PROPRIETARY" TO BEL FUSE INC. AND SHALL NOT BE COPIED, REPRODUCED OR DISCLOSED WITHOUT THE WRITTEN APPROVAL OF BEL FUSE INC.



### SUGGESTED PANEL OPENING



**NOTES:**

THE DISTANCE OF PANEL INSIDE SURFACE RELATIVE TO FRONT SURFACE OF PART IS ONLY A SUGGESTION. IN CASE THIS DISTANCE IS DIFFERENT, THE REQUIRED PANEL OPENING DIMENSIONS CHANGE ACCORDINGLY.

**PACKING INFORMATION**

PACKING TRAY : 0200-0148-48 (TOP)

0200-0148-49 (BOTTOM)

PACKING QUANTITY : 60 PCS FINISHED GOODS PER TRAY

8 TRAYS (480 PCS FINISHED GOODS) PER CARTON BOX

NOTE : CARDBOARDS ARE PLACED BETWEEN LAYERS OF PACKING TRAY INSIDE CARTON BOX (INCLUDE THE UPPERMOST AND LOWERMOST TRAY)

ORIGINATED BY BILL/KEUNG	DATE 06-05-05	TITLE MagJack® Combo (single USB, Ext. Temp. MDIX)	PART NO. / DRAWING NO. 08211X1T36-F	STANDARD DIM.	[ ] METRIC DIM. AS REFERENCE
				TOL. IN INCH	UNIT : INCH [mm] REV. : A
DRAWN BY GIN	DATE 06-05-05	FILE NAME 0821-1X1T-36-F	08211X1T36-FA.DWG	.X	SCALE : N/A SIZE : A4
				.XX	PAGE : 4
				.XXX ±0.005	

