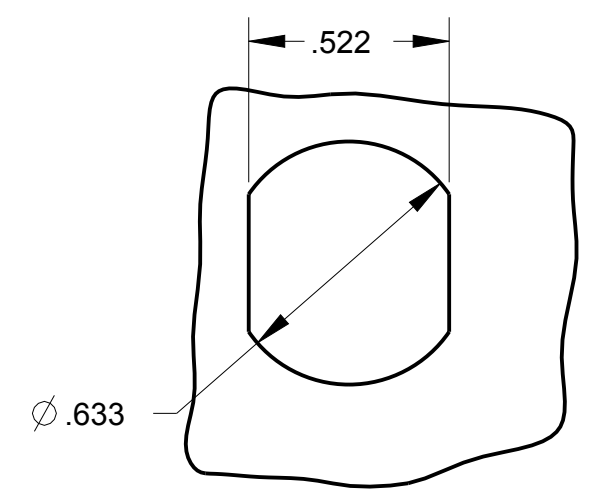
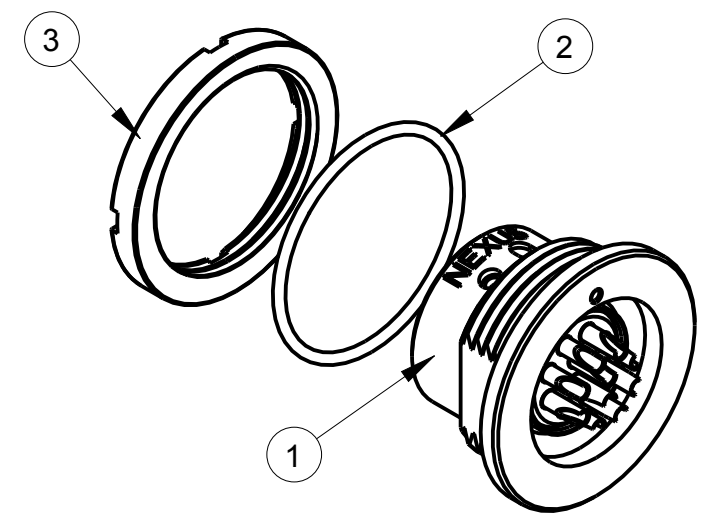
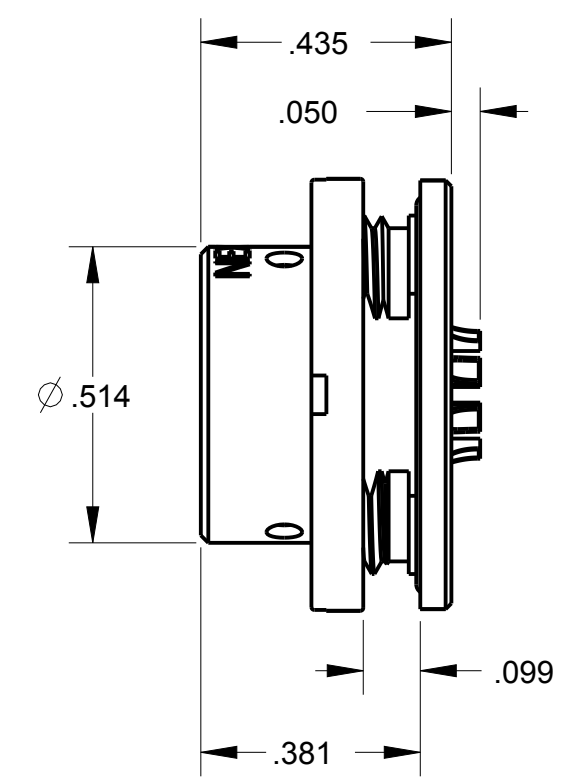
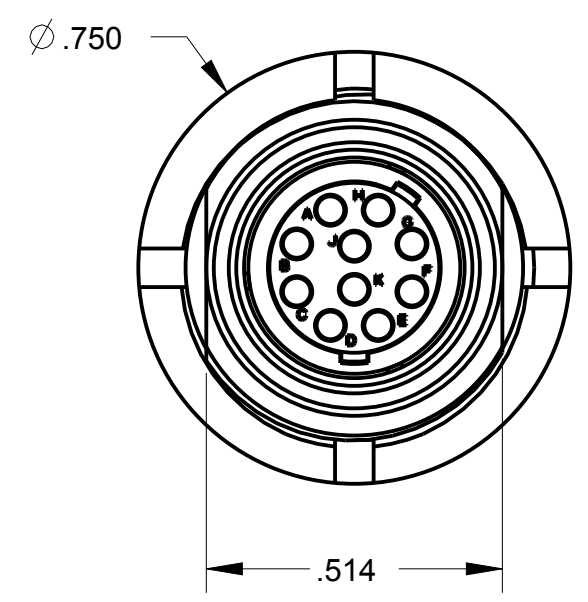


ITEM #	PART #	QTY	DESCRIPTION
1	MAP-60-15	1	PLUG HOUSING ASS'Y
2	MAP-60-13	1	O-RING, PANEL MOUNT
3	MAP-60-14	1	NUT (PANEL MOUNT)

B MAP-60-00



RECOMMENDED
PANEL CUTOUT



THIS DOCUMENT CONTAINS PROPRIETARY INFORMATION OF NEXUS, INCORPORATED AND SUCH INFORMATION MAY NOT BE DISCLOSED TO OTHERS FOR ANY PURPOSE OR USED FOR ANY PURPOSE WITHOUT THE WRITTEN CONSENT OF NEXUS.

LET.	REVISION	CN #	DATE	CHK.
A	NEW RELEASE		4/2 2012	HR

DWN.BY HR	DATE Jul-05-11	MATERIAL	
CHECKED BY	DATE	FINISH	
APPR.BY	DATE	WEIGHT —	SCALE = 2.00 :1
UNLESS OTHERWISE SPECIFIED: DIMENSIONS ARE IN INCHES &/OR (mm) TOLERANCES: DECIMAL: .XX[X.X] .XXX[X.XX] ± .01[0.3] ± .003[0.08] FRACTION: X/X ± 1/64		TITLE 10-COND PLUG PANEL MOUNT	
ANGLES: X ± .5°		DO NOT SCALE DWG.	SHEET 1 OF 1
		SIZE B	DWG. NO. MAP-60-00

NEXUS
STAMFORD, CONN