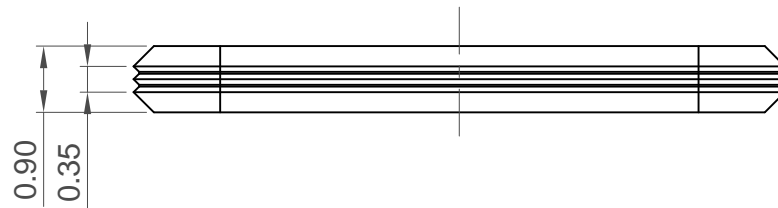






Section A-A



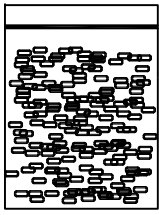
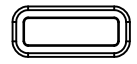
Recomended Waterproof Gasket Spec
 Material: Silicone
 Colour: Black
 Used with: USB3500, USB3505, USB3510

Part Number		Product Description				This drawing is confidential and copyright of Global Connector Technology, Ltd (GCT). This drawing must not be copied or disclosed without written consent. E & OE
USBTJ-02		Micro USB Waterproof Gasket				
Drawing Date		21st September 2018				
By	CC	Tolerances (Except as Noted)		Units:		
Detail	Drawing Release	Length	Angle	Metric (mm)		
Revision	A2	X. ± 0.50	± 1°			
Date	16/04/20	X.X ± 0.30				
		X.XX ± 0.20				
		X.XXX ± 0.10				

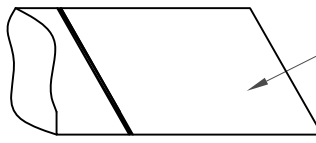


Not to Scale	Drawn By CC	Sheet No. 1/2
--------------	----------------	------------------

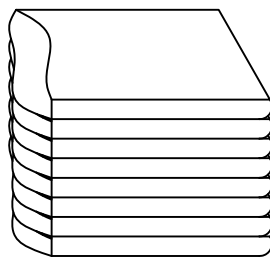
H
G
F
E
D
C
B
A



Ziplock Bag

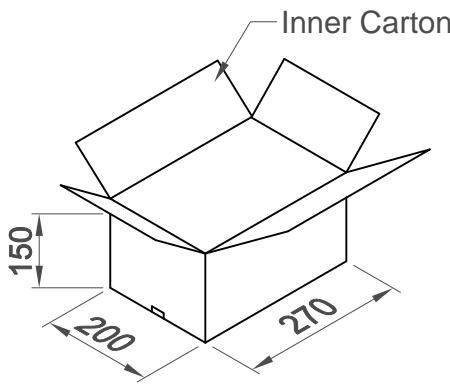


PE Bag

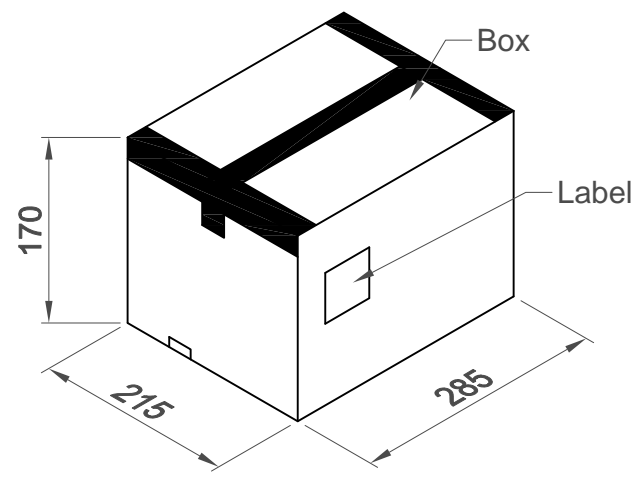


15 Bags

Pcs / Ziplock Bag	Ziplock Bags/PE Bag	Pcs / PE Bag	PE Bags / Box	Total Quantity
1000	5	5000	15	75000 pcs



Inner Carton



Box

Label

Part Number USBTJ-02		Product Description Micro USB Waterproof Gasket		 www.gct.co			
Drawing Date 21st September 2018							
By CC	Drawing Release	Tolerances (Except as Noted)	Units: Metric (mm)				
Detail	A2	Length X. ± 0.50 X.X ± 0.30 X.XX ± 0.20 X.XXX ± 0.10	Angle ± 1°	 			
Revision	16/04/20	<small>This drawing is confidential and copyright of Global Connector Technology, Ltd (GCT). This drawing must not be copied or disclosed without written consent. E & OE</small>					
Date				<table border="1"> <tr> <td>Not to Scale</td> <td>Drawn By CC</td> <td>Sheet No. 2/2</td> </tr> </table>	Not to Scale	Drawn By CC	Sheet No. 2/2
Not to Scale	Drawn By CC	Sheet No. 2/2					

1 2 3 4 5 6 7 8