

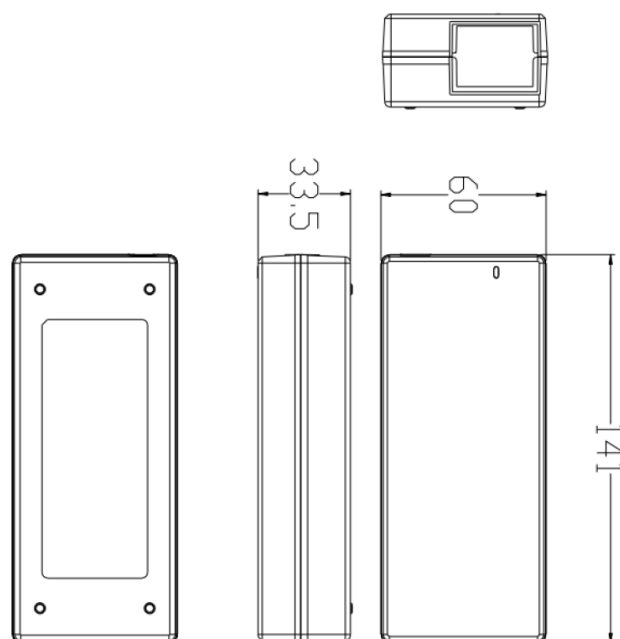
Sealed Lead Acid Battery Charger

■ Specifications

Input Voltage	100 ~ 240VAC
Input Frequency	50/60Hz
Input Current	1.5A max any input voltage
Inrush Current	230V/100A @25°C
Leakage Current	3.5mA max @ 240VAC
Operating Temperature	-10°C ~ 40°C Under full load & normal operation
Safety & EMI	UL1310 Meets FCC Part15 Class B
Output Current Limit	5A @ 100 ~ 240VAC
Short Circuit Protection	Present - Self-Recovery
Reverse Polarity Protection	Present - Self-Recovery

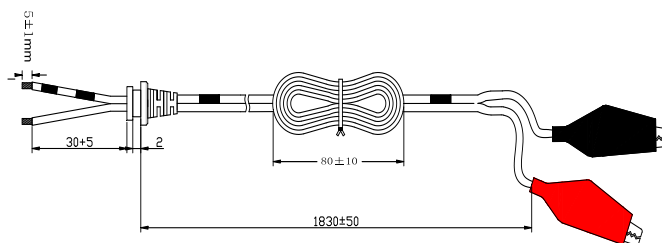


unit:mm



■ Output Characteristics

Voltage	14.7V Max
Min. Load	0
Rated Load	5A
Voltage Regulation	±0.2V



■ Handling Precautions

- Don't immerse in water or allow it to get wet!
- Don't reverse the positive and negative polarity!
- Don't short-circuit the charger with wire or other metal objects!
- Don't disassemble the charger in any way!