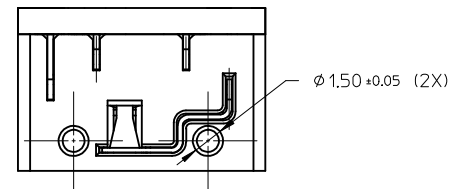
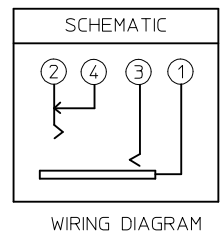
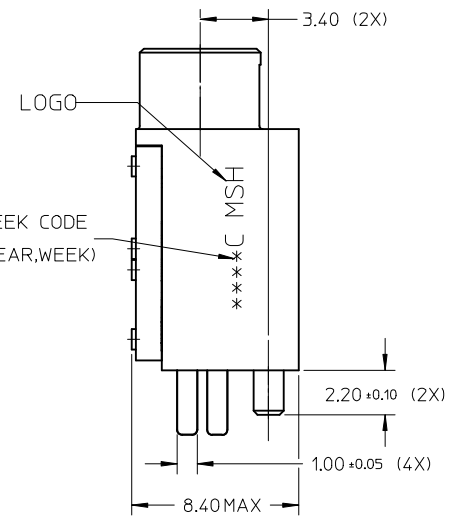
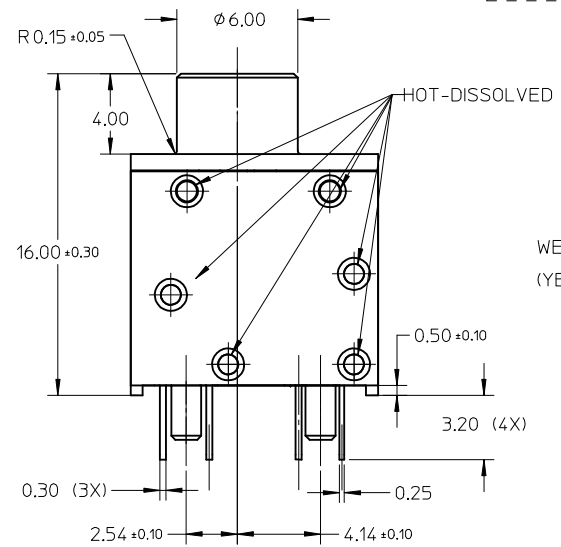


NOTE:

- MATERIAL:
 - PART TO BE COMPLIANT WITH RELOW PROCEWW AT 260°C.
 - HOUSING & COVER: NYLON, GLASS FIBER FILLED, UL94V-0, COLOR: BLACK
 - TERMINAL: PIN 1 : PHOSPHOR BRONZE
 - PIN 2 : PHOSPHOR BRONZE
 - PIN 3 : PHOSPHOR BRONZE
 - PIN 4 : BRASS
- FINISH:
 - TERMINAL: CONTACT AREA: GOLD, THICKNESS=0.75 MICRON MIN. SOLDER TAIL: TIN, THICKNESS=2 MICRON MIN. UNDERPLATE: NICKEL, THICKNESS=2 MICRON MIN
 - 3.RECOMMENDED PCB THICKNESS: 1.60±0.05mm
 - 4.PRODUCT SPECIFICATION REFER TO PS-47257-001
 - 5.PACKAGING SPECIFICATION REFER TO PK-47257-001



REVISE EC NO: SH2011-0108 DRW/NF: YANG05 CHKD: APPR: RZHANG 2010/10/26 2010/11/01	QUALITY SYMBOLS ▽=0 ◻=0	GENERAL TOLERANCES (UNLESS SPECIFIED)		DIMENSION STYLE MM ONLY		SCALE 1:1	DESIGN UNITS METRIC	THIRD ANGLE PROJECTION			
		4 PLACES ± --- ± ---	mm INCH	DRAWN BY MZCHEN	DATE 2005/04/26	TITLE 3.5MM STEREO JACK 4 POSITION SLIM DESIGN WITH SWITCH					
		3 PLACES ± --- ± ---		CHECKED BY GRMA	DATE 2005/05/30	MOLEX INCORPORATED					
		2 PLACES ± 0.25 ± ---		APPROVED BY RZHANG	DATE 2010/11/01	MATERIAL NO. 47257-0001	DOCUMENT NO. SD-47257-001	SHEET NO. 1 OF 1			
		ANGULAR ± 1/2°		DRAFT WHERE APPLICABLE MUST REMAIN WITHIN DIMENSIONS		THIS DRAWING CONTAINS INFORMATION THAT IS PROPRIETARY TO MOLEX INCORPORATED AND SHOULD NOT BE USED WITHOUT WRITTEN PERMISSION					