



## Tango 21

Robust Through Hole GPS Antenna

### Key Features

- GPS antenna
- 28dB LNA gain
- High gain dielectric antenna



### General Description

The Tango 21 is our most compact GPS antenna with a screw threaded base.

The built in Low Noise Amplifier (LNA) provides a 28dB gain on the antenna signal. The benefit of having a strong signal means that satellite fix times are quicker which drives application readiness.

The antenna can be mounted securely inside or outside and can be used for a host of different GPS applications including: vehicle/fleet/asset tracking, mobile applications or general positioning purposes.

Supplied as standard with an SMA Male connector. Custom cable lengths and alternative connector types can be specified for volume orders.

### Additional Considerations

- Weather and vandal resistant
- Compact design for covert or space limited applications
- Low current consumption 5mA at 2.2V





## Tango 21

Robust Through Hole GPS Antenna

### Antenna Specifications

Frequency Range:	1575.42 ±1 MHz
VSWR:	<1.5
Polarization:	RHCP
Gain:	5dBic (Zenith)
Impedance:	50 Ohm
Band Width:	CF ±5MHz
Axial Ratio:	3dB (max)
Dimensions:	L30.5 x W30.5 x H13.9mm

### Mechanical Specifications

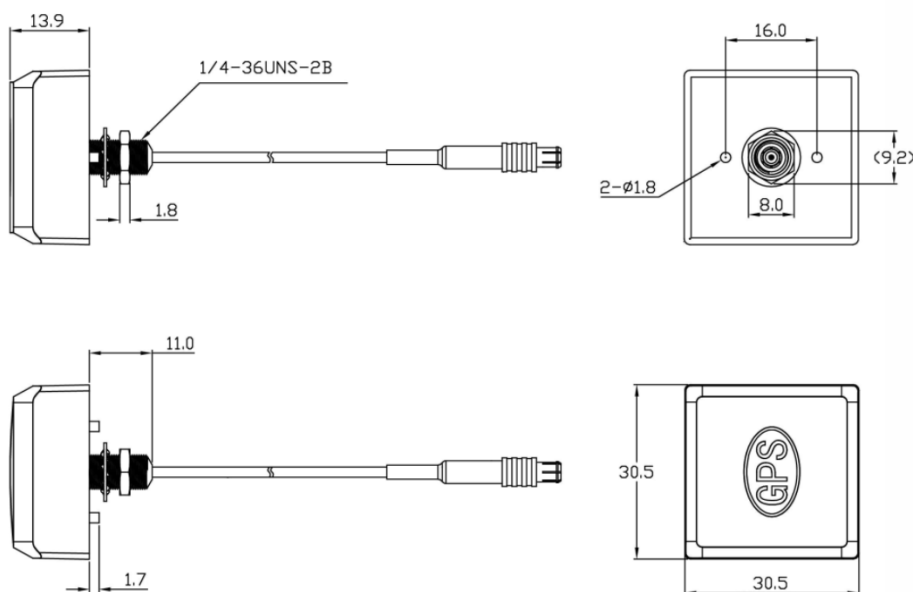
Cable:	RG178
Connector:	SMA
Material:	ABS
Mounting Method:	Screw

### Environmental Specifications

Operating Temperature:	-40 - +85°C
Relative humidity:	Up to 95%

### LNA Specifications

Gain:	28±2dB
Noise Figure:	<1.5
Ex-band Attenuation:	12dB@CF + 50MHz 16dB@CF - 50MHz
Supply Voltage:	2.2-5V DC
Current Consumption:	5-15mA
VSWR:	<2.0



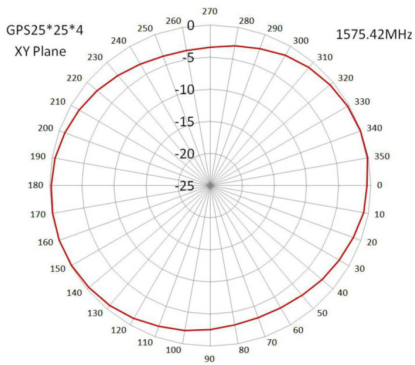


## Tango 21

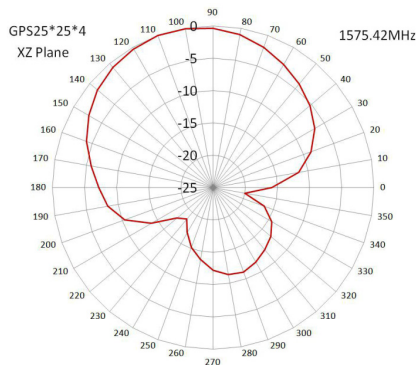
Robust Through Hole GPS Antenna

### Radiation Patterns

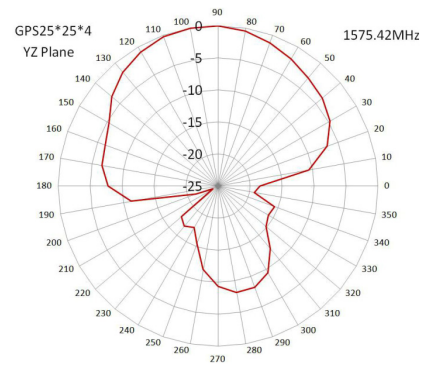
XY Plane



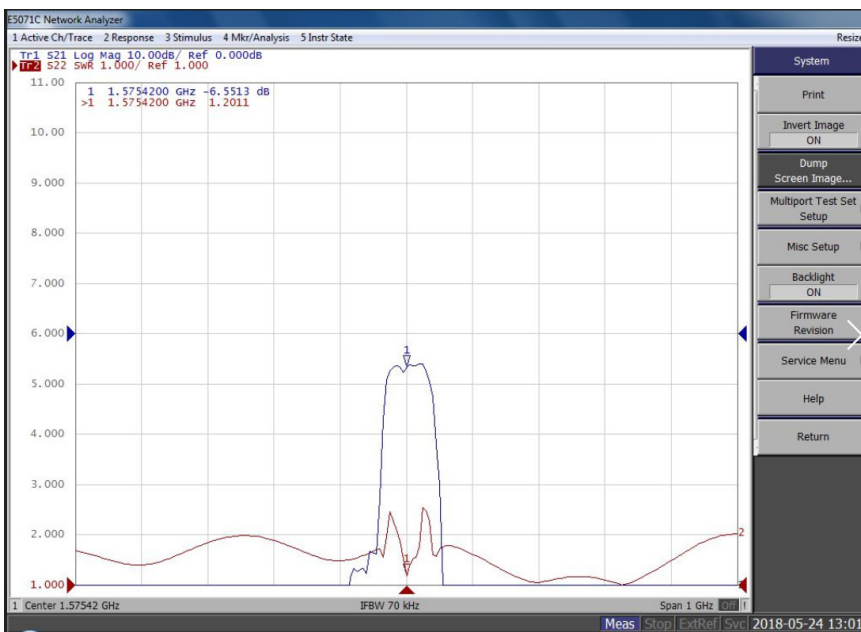
XZ Plane



YZ Plane



### Return Loss & VSWR



### Ordering Details

Part Number

Description

TANGO21/3M/SMAM/S/S/26

Robust Through Hole GPS Antenna