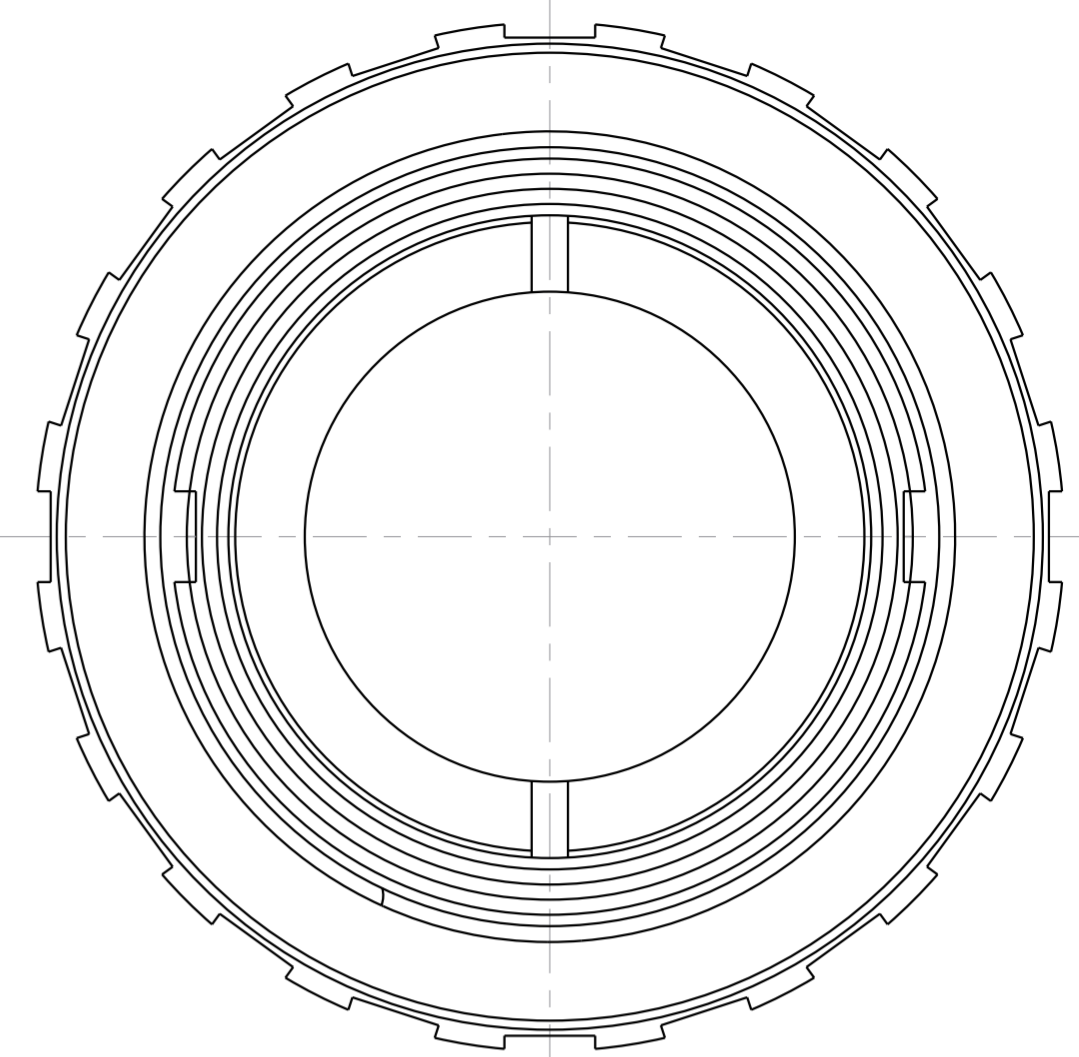
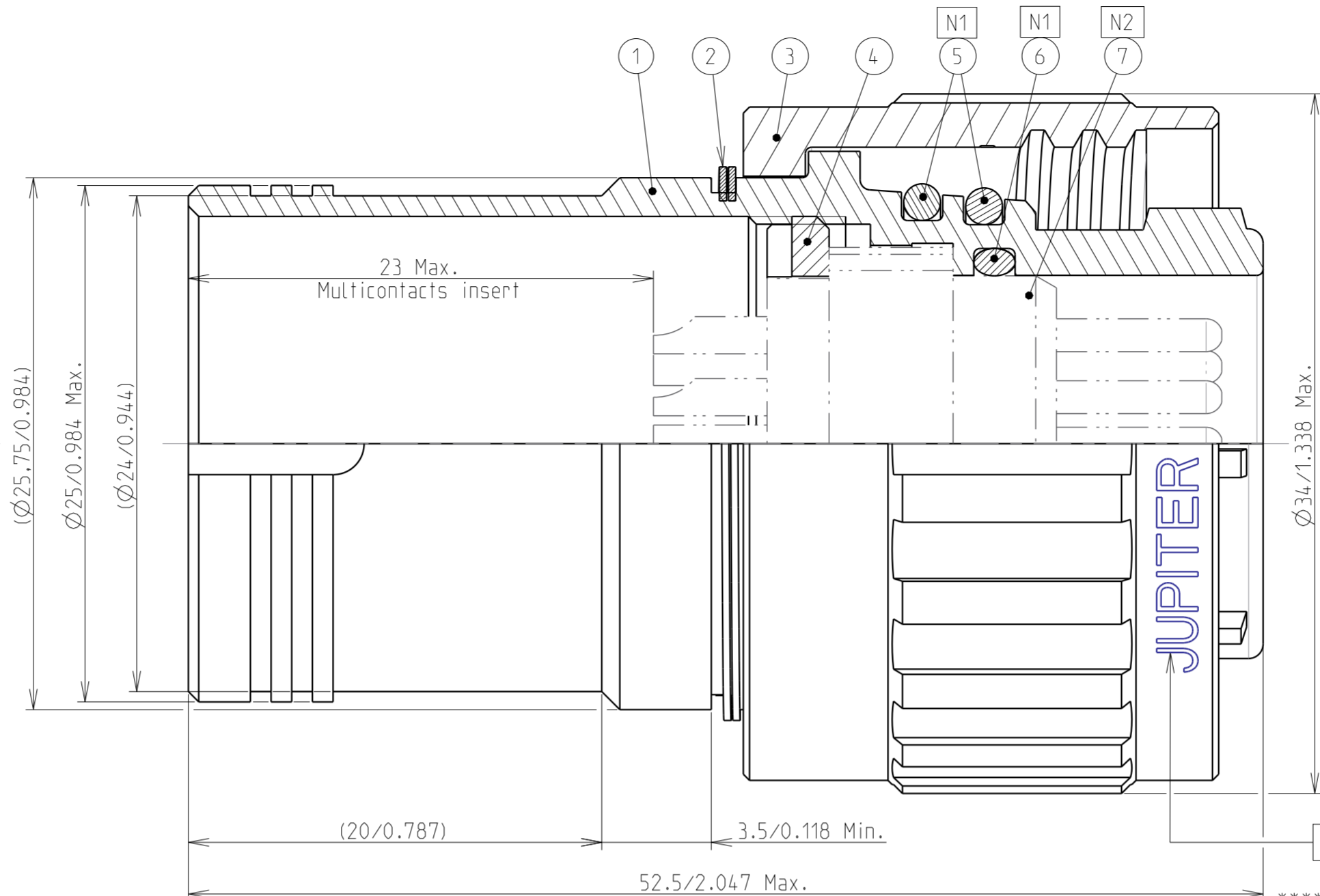
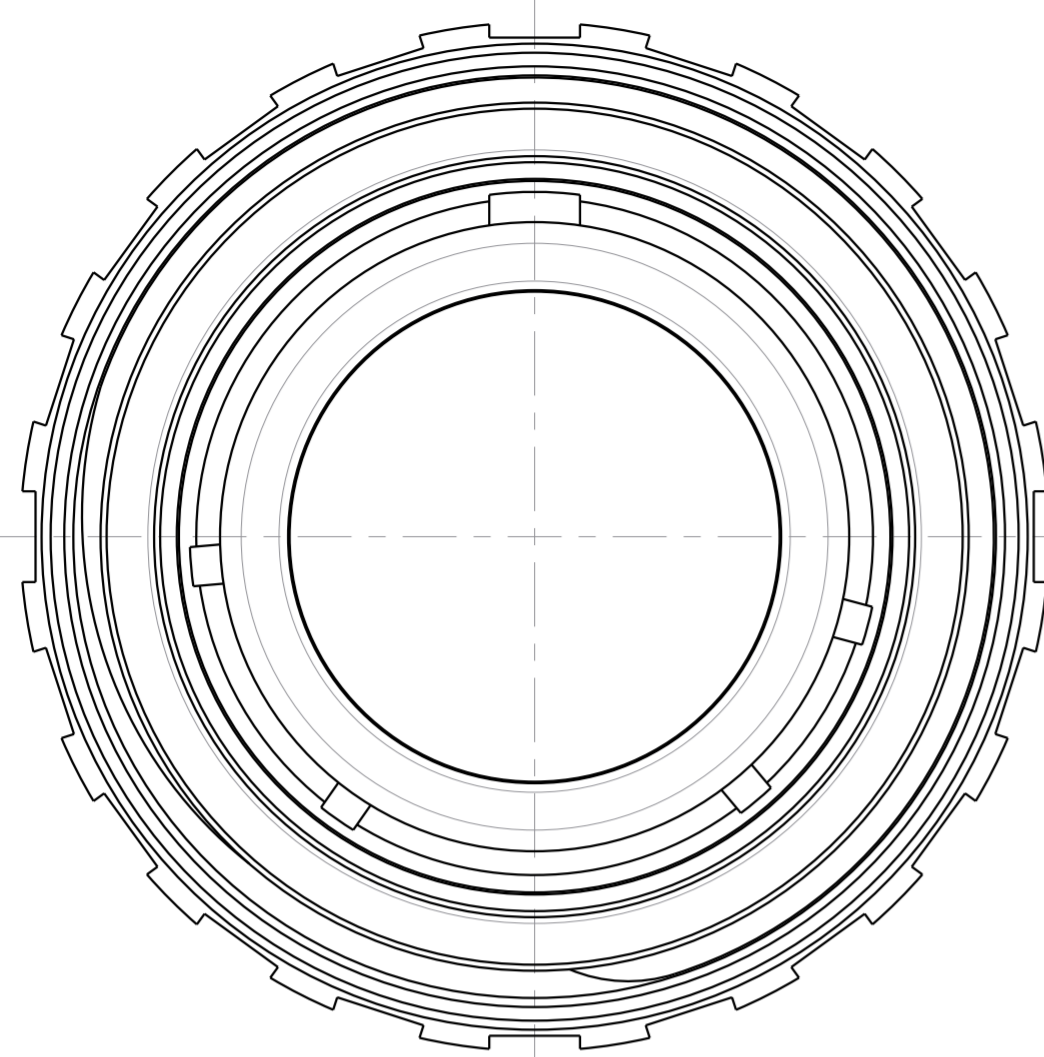


A.2: Validé

Country	Jurisdiction & Control List
FR	NOT LISTED

	critical dimension
	major dimension

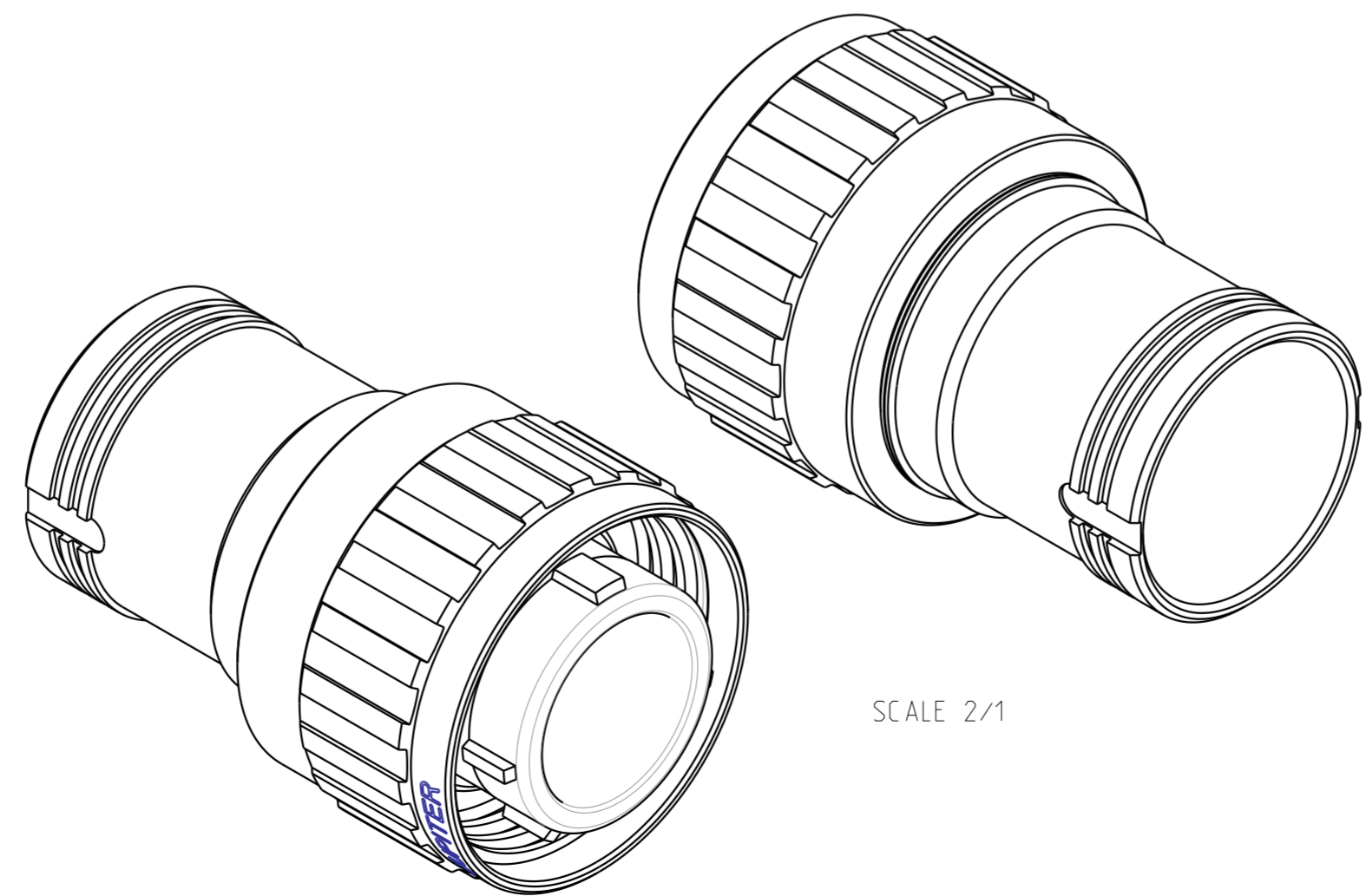


MARQUAGE/MARKING
 **** JUPITER FR FED14PLY
 SEMAINE/WEEK
 ANNEE/YEAR

**REFERENCE COMMERCIALE
 PART NUMBER**
 CFE14PLY

- N1 : MONTAGE AVEC GRAISSE
 MOUNTING WITH GREASE
- N2 : ISOLANT HORS FOURNITURE
 INSERT NOT SUPPLIED

7	ISOLANT / INSERT
6	JOINT TORIQUE ISOLANT / O-RING INSERT
5	JOINT TORIQUE ACCOUPLEMENT / O-RING COUPLING
4	BAGUE DE RETENUE / RETAINING RING
3	DOUILLE D'ACCOUPLEMENT / COUPLING RING
2	CIRCLIPS / RETAINING CLIP
1	FICHE DROITE FED / STRAIGHT PLUG FED
REP	DESIGNATION



SCALE 2/1

A	05/09/16	Initial drawing			ORAIN	MEFFRE	DIFF
Iss	Date	MODIFICATIONS	A C	Designed by	Checked by	MOD N°	
			Naf.				
MATERIAL --			TREATMENT		PROTECTION/PLATING		
--			--		--		
--			--		CODE --		
DIMENSIONS ARE DEFINED BEFORE PLATING							
TITLE		FICHE DROITE FED SA / STRAIGHT PLUG FED SA TYPE				PROJECT	
		SERIE PL - TAILLE 14				PL54	
Material Reference Voir Référence Commerciale / See Part Number							
Generales tolerances ISO 2768			SOURIAU				
Scale 4/1 General machining Surface texture			SOURIAU 3. RUE DU VALLON - ZAC N°2 94440 MAROLLES-EN-BRIE (FRANCE) TEL. 33 (0)1 45 10 78 00				
Geometrical Tolerances: NF EN ISO 1101			FORMAT		SOURIAU DRG N°		Iss
This document is the property of SOURIAU it must not be reproduced or communicated without permission.			A2		543F0130A8C		SHEET 1/1