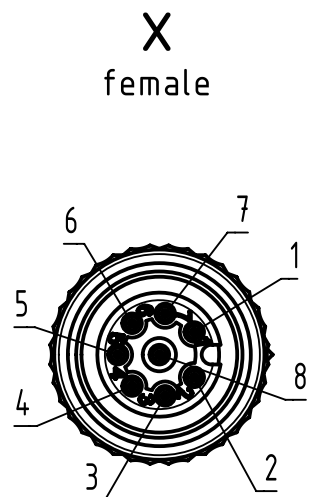
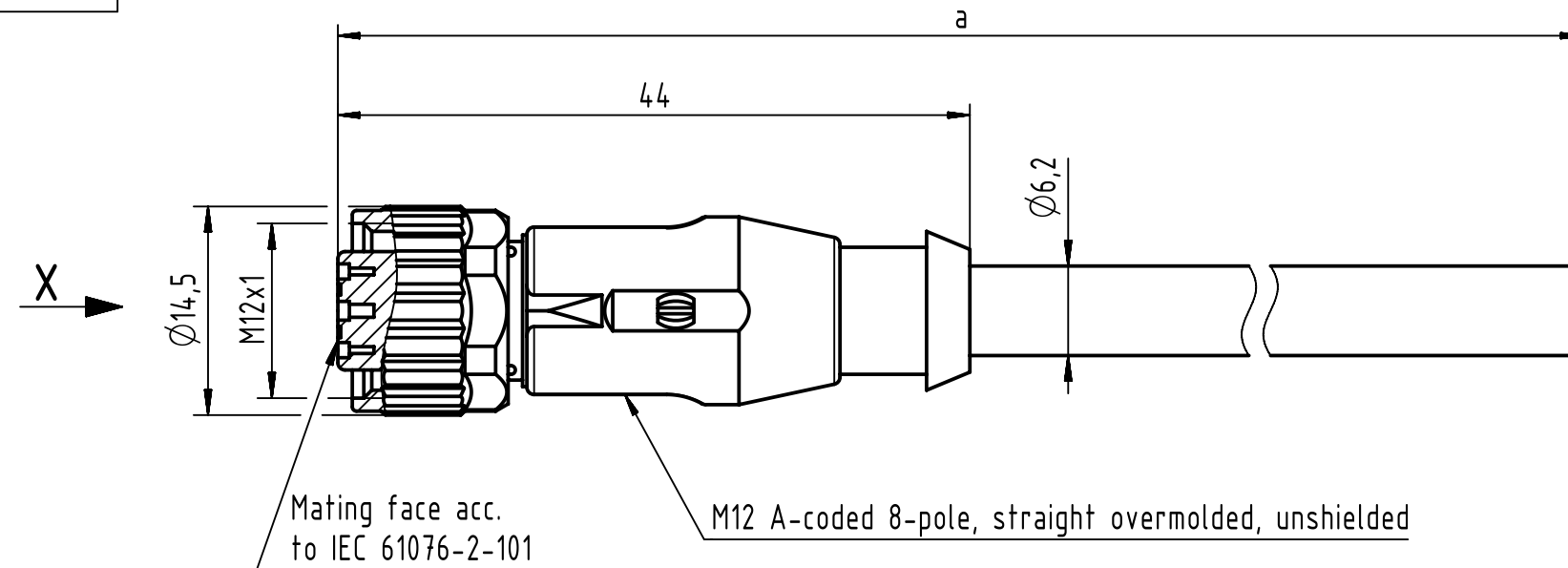


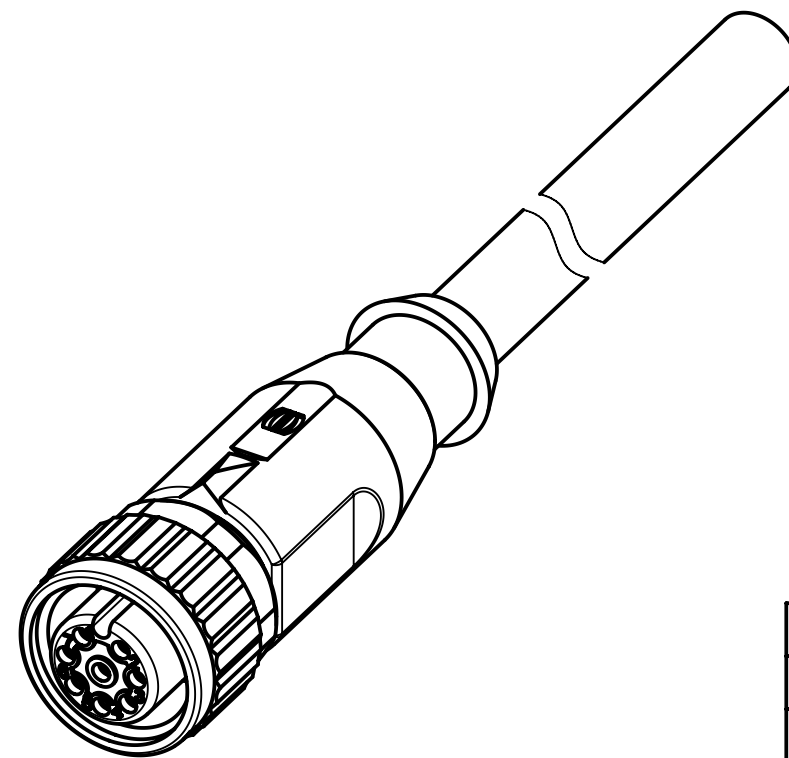
Connector Location A

Connector Location B



Loading Plan

- 1 white
- 2 brown
- 3 green
- 4 yellow
- 5 grey
- 6 pink
- 7 blue
- 8 red



4.0 to 40	±1%
0.1 to 3.9	+0.04
a [m]	Tolerance

length in "1m" step	40	XXX=400
	39	XXX=390
	.	.
	12	XXX=120
length in "0.1m" step	11	XXX=110
	10	XXX=100
	9.9	XXX=099
	9.8	XXX=098
	.	.
	0.4	XXX=004
	0.3	XXX=003
	0.2	XXX=002
	0.1	XXX=001
Step	a [m]	XXX

- Protection level: IP67
 - Temperature range: -25°C ... +80°C

PVC grey, 8x0.25mm ²	21348500882XXX
Type of cable	Part no.

	All rights reserved	Tech. Character.		Free size tol.		According to production drawing	
	Department HCS - RO	Created by COSTEA Costea	Inspected by STOCHECIC Stocheci	Standardisation MUNTEANV Muntean	Date 2019-05-06	State Final Release	
HARTING Customised Solutions D-32339 Espelkamp		Title M12 Cable Assembly A-cod st/- f/-				Doc-Key / ECM-Nr. 100578933/UGD/009/B 500000151656	
		Type TB	Number 21348500882XXX			Rev. B	Page 1/1