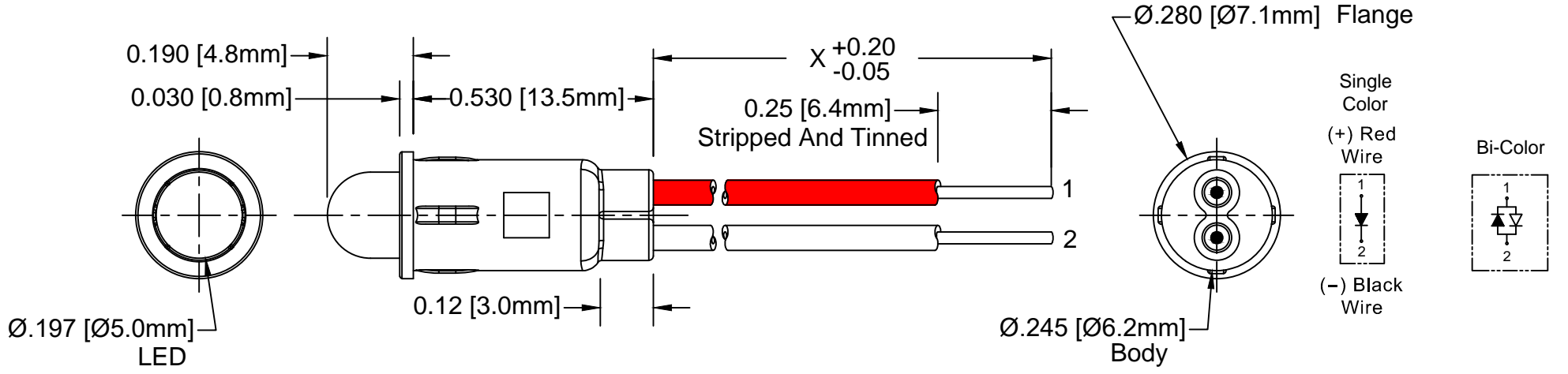
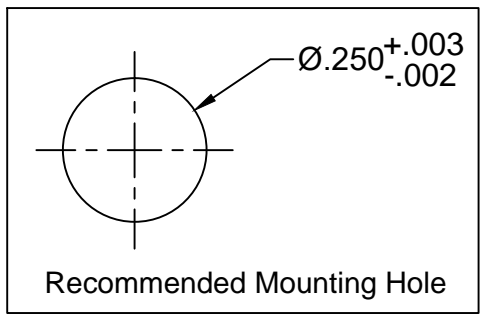


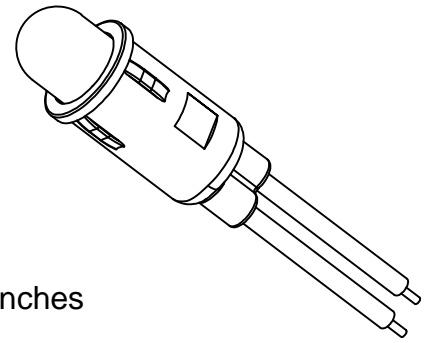
REV.	DESCRIPTION	DATE	APPROVED
E	Added 5WC2.520 & 5WC4.030 Specs	06/29/09	T. Y.
F	Added 5WC7.015 & 5XRC8.515 Specs	10/01/09	T. Y.
G	Added 5BC-Y/G Specs	02/09/10	T. Y.
H	Updated LED Offering	05/03/12	T. Y.
J	Updated BOM item 1	11/13/12	T. Y.
K	Corrected LED P/N Typo in Table	04/23/14	J. C.
L	Updated LED Optical Characteristics	09/15/15	J. C.
M	Updated per EOL Notice	08/05/20	A. V.



BI-COLOR POLARITY		
LED P/N	(1) Cathode	(2) Cathode
5BC	Green	Red



EXAMPLE:  
PM5RDW6.5\*  
 Wire Length in inches  
 LED Color & Lens Appearance.  
 Series



## CUSTOMER USE DRAWING

### ABSOLUTE MAXIMUM RATINGS (Ta = 25°C)

REVERSE VOLTAGE	5V
REVERSE CURRENT (VR=5V)	100µA
OPERATING TEMPERATURE RANGE	-25°C ~ 85°C
STORAGE TEMPERATURE	-30°C ~ 100°C
LEAD SOLDERING TEMPERATURE (1/16" FROM BODY)	260°C for 5 Seconds

STANDARD TOLERANCE (UNLESS OTHERWISE SPECIFIED)		 4 THOMAS, IRVINE, CA. 92618 TEL: (949) 951-8808 FAX: (949) 951-3974	
DECIMALS	ANGULAR		
.X ± .1	X° ± 1°	TITLE: STD PANEL MOUNT INDICATORS W/ WIRES	
.XX ± .02		DESIGNED: David Green	DATE: 10/06/04
.XXX ± .010		REVISION: M	REVISION: M
		PART NO: PM5XXWX.X	REVISION: M
DESIGNED: David Green	DATE: 10/06/04	SHEET SIZE: A	CAGE CODE: 32559
REVISD: V. Chavez	DATE: 08/05/20	SCALE: N/A	SHEET # 1 OF 2
CHECKED: A. Valdez	DATE: 08/05/20	CAD GENERATED DOCUMENT, DO NOT MEASURE DRAWING	

LED Assy.No.	Chip			Lens Appearance	Electro-Optical Data @20mA				Viewing Angle 2 θ 1/2 (Deg)	LED P/N
	Material	Peak Wave Length	Emitted Color		If (mA)	Vf (V)		Iv (mcd)		
						MAX	TYP			
PM5BWCWX.X	GaN/SiC	430	BLUE	WATER CLEAR	25	4.0	4.5	25	20	5BWC
PM5BWDWX.X	GaN/SiC	430	BLUE	DIFFUSED	25	4.0	4.5	15	45	5BWD
PM5GCW.X.X	GaP/GaP	568	GREEN	WATER CLEAR	30	2.1	2.8	40	35	5GC
PM5GDWX.X	GaP/GaP	568	GREEN	DIFFUSED	30	2.1	2.8	25	45	5GD
PM5YDWX.X	GaAsP/GaP	590	YELLOW	DIFFUSED	30	2.0	2.8	25	45	5YD
PM5ADWX.X	GaAsP/GaP	605	AMBER	DIFFUSED	30	2.0	2.8	25	45	5AD
PM5HCWX.X	GaAsP/GaP	625	HE RED	WATER CLEAR	30	2.0	2.8	40	35	5HC
PM5HDWX.X	GaAsP/GaP	625	HE RED	DIFFUSED	30	2.0	2.8	25	45	5HD
PM5RDWX.X	GaP/GaP	700	RED	DIFFUSED	20	2.1	2.8	2	45	5RD
PM5BCWX.X	GaAsP/GaP	625	RED	WHITE DIFFUSED	30	2.0	2.8	6	45	5BC
	GaP/GaP	568	GREEN		30	2.1	2.8	8		
PM5SYDWX.X	GaAsP/GaP	590	YELLOW	DIFFUSED	30	2.0	2.8	150	40	5SYD
PM5SRDWX.X	GaAlAs/GaAs	645	SUPER RED	DIFFUSED	30	1.7	2.4	40	40	5SRD

LED Assy. No.	Peak Wave Length λp(nm)	Emitted Color	Lens Appearance	Max. Rating	Electro-Optical Data @ 2m A			Viewing Angle 2 Y ½ (Deg)	LED P/N
				If (mA)	Vf (V)		Iv (mcd)		
					MAX	TYP			
PM5GDLWX.X	568	GREEN	DIFFUSED	7	2.1	2.6	5	45	5GDL
PM5YDLWX.X	590	YELLOW	DIFFUSED	7	2.0	2.6	4	45	5YDL
PM5HDLWX.X	625	HE RED	DIFFUSED	7	2.0	2.6	5	45	5HDL

CUSTOMER USE DRAWING

		<b>BIVAR</b> <sup>®</sup>	
CAGE CODE	<b>32559</b>	DRAWING NO:	PM5XXWX.X
SHEET SIZE	<b>A</b>	REVISION:	<b>M</b>
		SCALE: N/A	SHEET # 2 OF 2
CAD GENERATED DOCUMENT, DO NOT MEASURE DRAWING			