

6

5

4

3

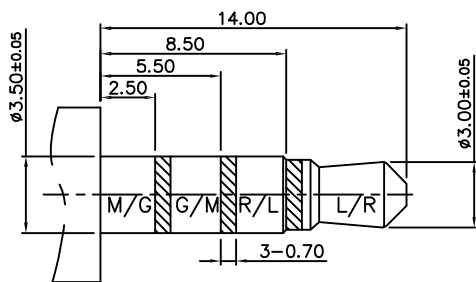
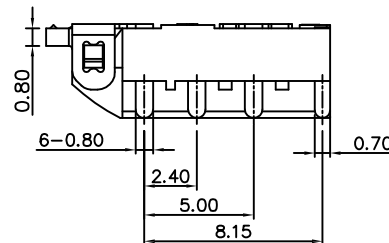
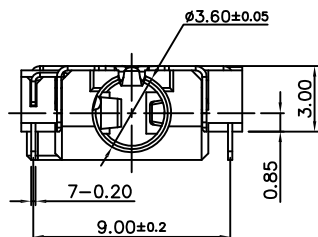
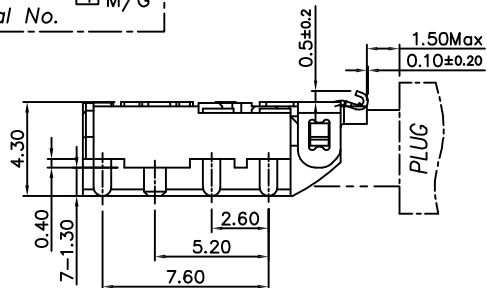
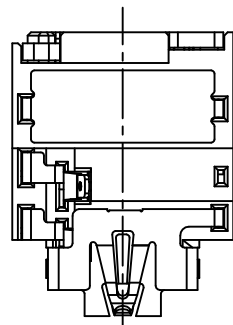
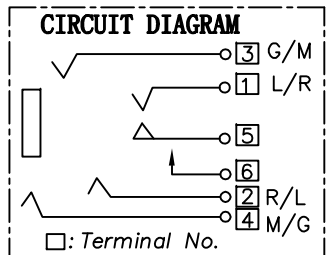
2

1

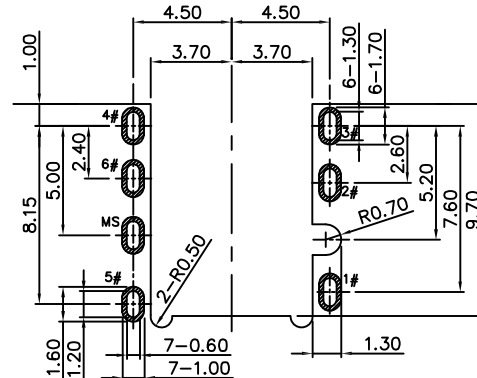
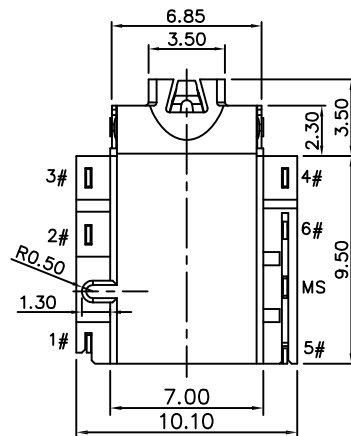
APPROVED: _____

DATE: _____ TITLE: _____

Rev	AWO #	Description	Date	Appr
-		RELEASED	11/16/18	



MATE PLUG



RECOMMENDED PCB LAYOUT

PACKAGED ON TAPE & REEL

SPECIFICATIONS:

Material:
Housing: Hi-Temp Thermoplastic, reated UL94V-0, Color: Black
Contacts: Phosphor Bronze
Shell: Stainless Steel, Nickel plated
Plating:
Gold flash over Nickel underplate overall
Electrical:
Rating: 30VDC, 0.5A
Contact Resistance: 50 mohm max.
Insulation Resistane: 100 Mohm min. @ 500 VDC
Dielectric withstanding voltage: 500 VAC
Temperature Rating:
Operating temperature: -20°C to +70°C
Environmental:
Lead free, RoHS compliant.



UNLESS OTHERWISE SPECIFIED
ALL DIMENSIONS ARE MILLIMETERS
TOLERANCES: EXCEPT AS NOTED

MM	ANGLE
.X ± 0.50	X ± 5°
.XX ± 0.30	.X ± 3°
.XXX ± 0.15	.XX ± 2°

ADAM TECH
INTERCONNECTS
909 Rahway Avenue,
Union, NJ 07083
Phone: 908-687-5000
Fax: 908-687-5710

APPROVALS		DATE
DRAWN	HR	11/16/18
CHECKED	AC1	11/16/18
APPROVED		

TITLE		
3.5MM STEREO PHONE JACK, EDGE HANG, R/A		
SIZE	PART NO.	REV.
X	ASJ-198-Y-HT-T/R	-
REF:	S00002C	SCALE: NTS
		SHEET 1 OF 1

6

5

4

3

2

1