

6

5

4

3

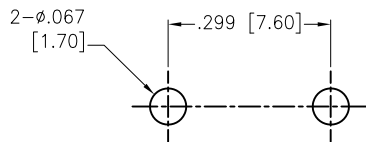
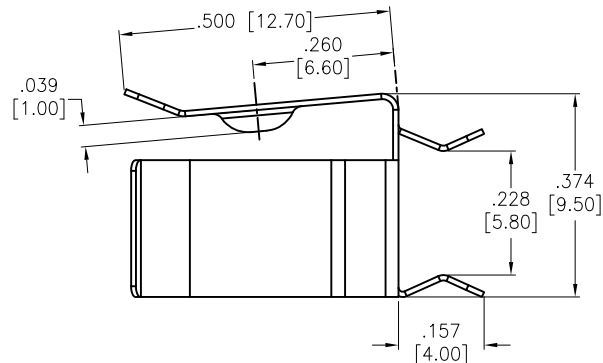
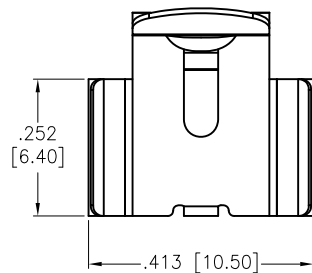
2

1

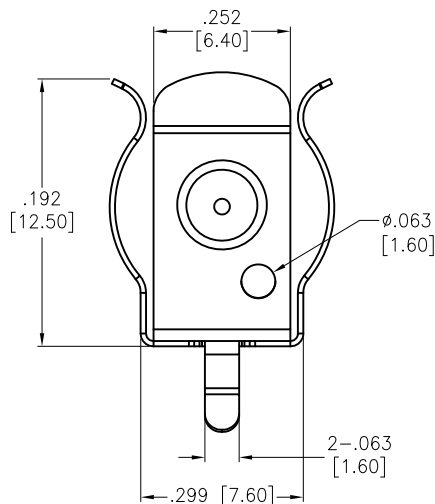
APPROVED: _____

DATE: _____ TITLE: _____

Rev	AWO #	Description	Date	Appr
-		RELEASED	7/18/19	



RECOMMENDED PCB LAYOUT (TOP VIEW)



SPECIFICATIONS:
 Material: Mn Steel, Nickel plated
 Environmental:
 Lead free, RoHS compliant



UNLESS OTHERWISE SPECIFIED ALL DIMENSIONS ARE INCHES [MM] TOLERANCES: EXCEPT AS NOTED INCHES HOLES .X ± .10 Ø.X ± .10 .XX ± .020 Ø.XX ± .015 .XXX ± .015 Ø.XXX ± .010		ADAM TECH INTERCONNECTS		909 Rahway Avenue, Union, NJ 07083 Phone: 908-687-5000 Fax: 908-687-5710	
APPROVALS		DATE		TITLE	
DRAWN	AY	7/18/19		BATTERY CLIP, 3A, DIP TYPE	
CHECKED	LW	7/18/19			
APPROVED		SIZE	PART NO.	REV.	
		X	BH-113A-1	-	
REF: S00136C		SCALE: NTS	SHEET 1 OF 1		

6

5

4

3

2

1