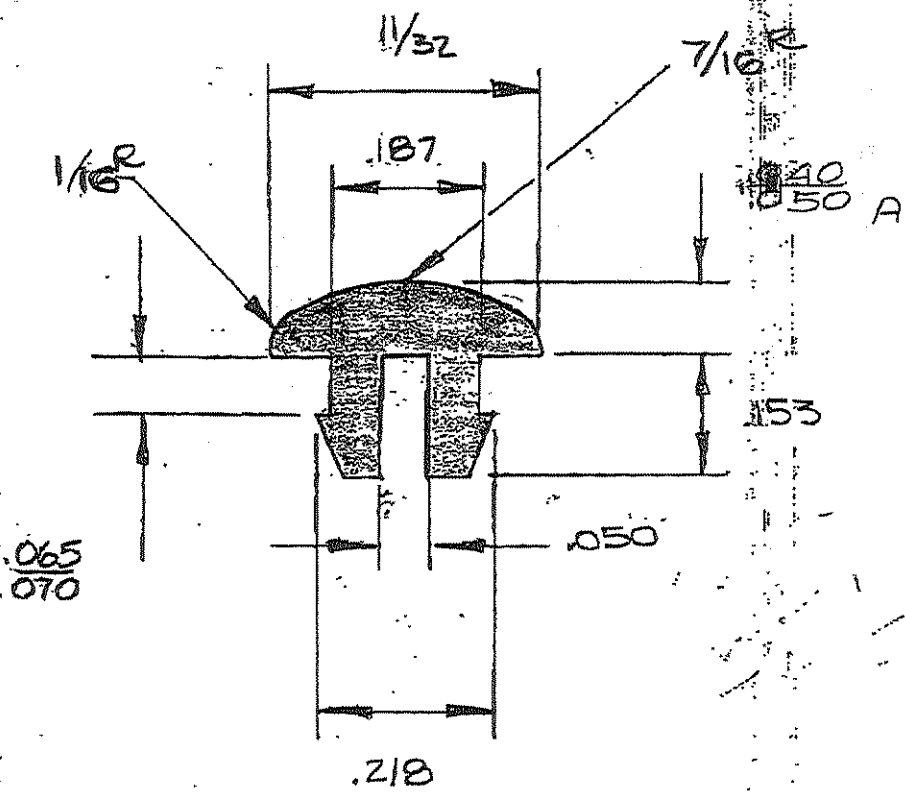
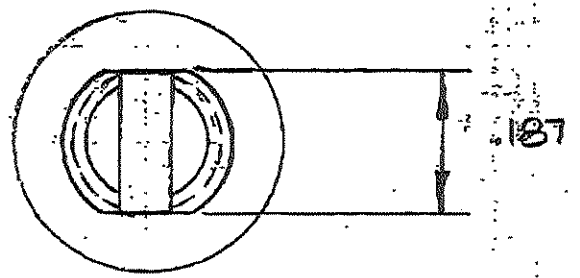


CHG. LET.	REVISIONS	DATE	REVISED BY
A	0010 WAS .093 0010	5-17-66	Z.B.

CONTROLLED




065
070



BDH 025A
MTL. # 500-000

138NN-5320-000A
N-514

 PLASTIGLIDE MANUFACTURING CORPORATION EXECUTIVE OFFICES: 1757 Stanford Street/Santa Monica, California/Gladstone 1-1681			
TITLE			
3/16 x 1/16 SPLIT STEM BUMPER			
DRAFTSMAN	DATE	MATERIAL	REFERENCE DWG.
W.H.	4-11-66	NYLON	138 NN 5320
CHECKER	SCALE	UNSPECIFIED TOLERANCES	DWG. NO.
	4:1	FRACTIONAL ±.004 DECIMAL ±.005 ANGULAR ±.1°	SC 2375

138 NN 5320