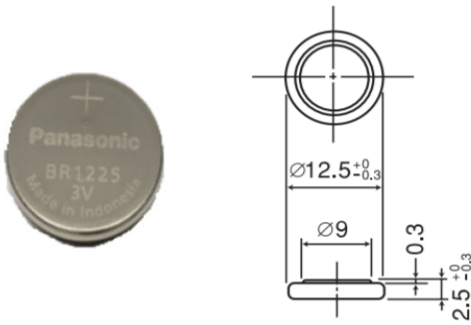


BR1225

BR Coin-type Lithium Battery



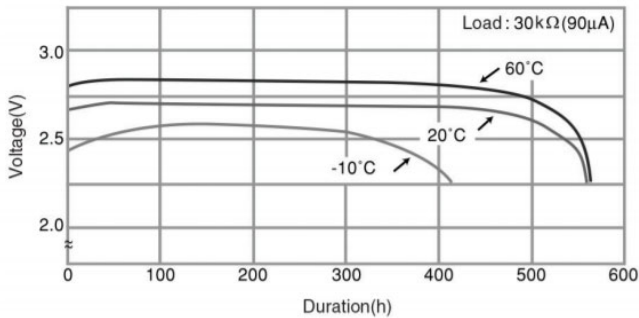
Features & Benefits

- BR series batteries developed with exclusive Panasonic technology
- Exhibits stable performance after long periods in storage due to low self-discharge characteristics
- Primarily used for memory-backup power in low-drain applications

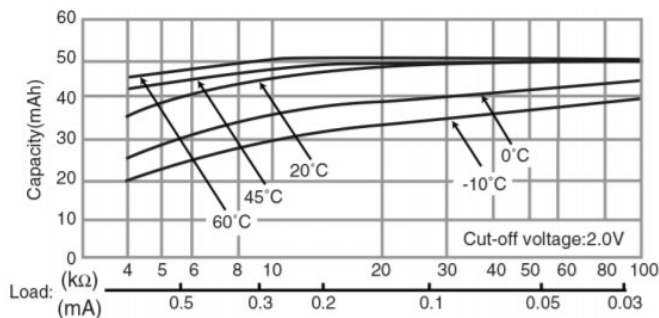
Applications

Commercial equipment (communication/measurement devices), electricity meters, memory backup (security cameras, security sensors), automotive electronic components (ETC), etc.

Discharge temperature characteristics



Capacity vs. load resistance



Specifications

| | | |
|--------------------------------|----------------|----------------|
| Nominal voltage | | 3V |
| Nominal capacity | | 48mAh |
| Continuous drain | | 0.03mA |
| Dimensions* 1 | Diameter(Max.) | 12.5mm |
| | Height(Max.) | 2.5mm |
| Weight*1 | | Approx. 0.8g |
| Operating temperature*2 | | -30°C to +85°C |

*1 Without tabs.

*2 Please consult Panasonic when anticipating usage in operating temperatures of 80°C or above.

Terminal types

Please see the documents for the terminal and lead wire settings.

- [Line up of tab terminal types \(by shape\)](#)
- [Line up of tab terminal types \(by product number\)](#)

Operating voltage vs. load resistance (voltage at 50% discharge depth)

