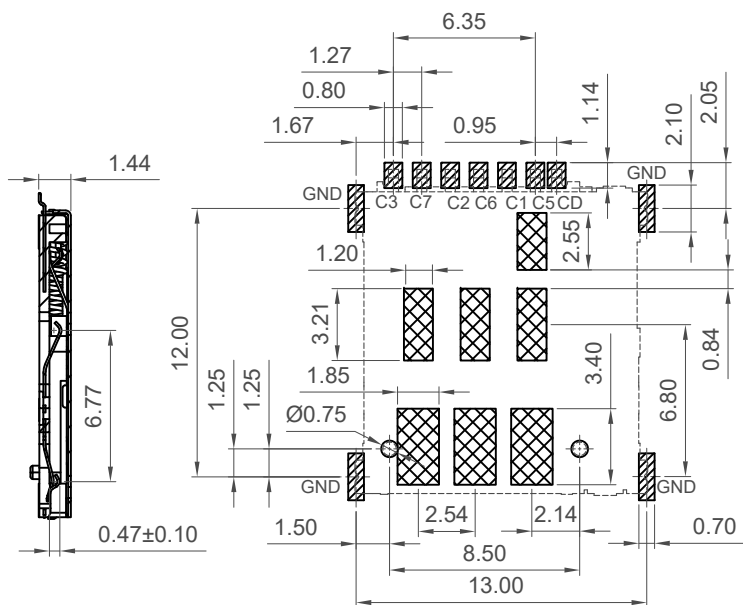


1.27 4.83 0.95

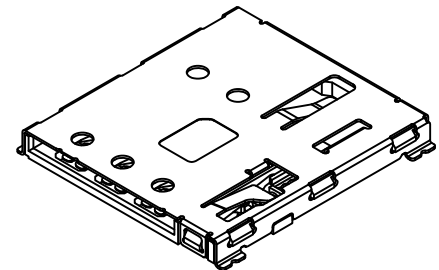
C3 C7 C2 C6 C1 C5 CD
 0.65 ref. Push stroke position
 1.50 ref. Card lock position
 4.20 ref. Card eject position



Recommended PCB Layout

(Viewed from Component Side - Tolerance:±0.05mm)

▨ Solder Area ▩ Keep Out Area □ Component Outline



Specifications

Material

Housing&Slide : High Temperature Thermoplastic, UL94V-0, Black
 Contact Terminal: Copper Alloy
 Metallic Shell: Stainless Steel
 Spring: SWP-B
 Link: Stainless Steel

Plating

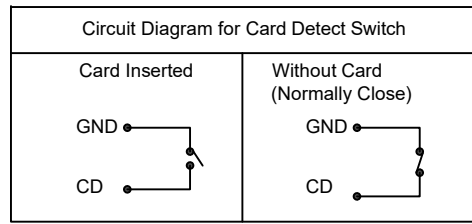
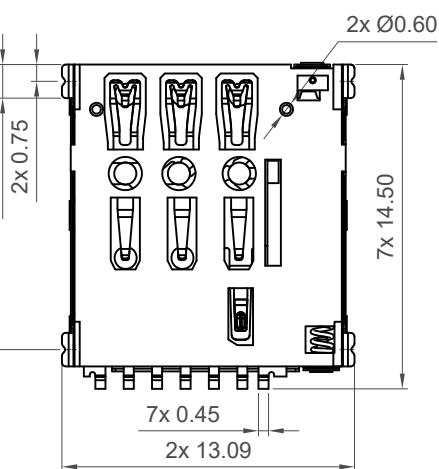
Contact :
 Contact Area: Gold Flash over Nickel
 Soldering Tail: Gold Flash over Nickel
 Shell:
 Soldering Tail: Gold Flash over Nickel
 Spring&Link: Cleaning

Electrical

Voltage rating: 30V AC/DC
 Current Rating: 1.0 Amp AC/DC Max.
 Contact Resistance:
 Signal contact: 100 mΩ Max.
 CD to GND: 200 mΩ Max.
 Dielectric Withstanding Voltage:500V AC (60 Sec Min.)
 Insulation Resistance: 1000 MΩ Min.@500V DC

Mechanical & Environmental

Operating Temperature: -40°C to +85°C
 Durability : 5,000 cycles



Ordering Grid

SIM8066-6-1-14-01-A Request Samples and Quotation

No. of Contacts: 6
 Switch: 1 = With
 Profile Height: 14 = 1.44mm

Packing Options:
 A = Tape & Reel (1500pcs per reel)

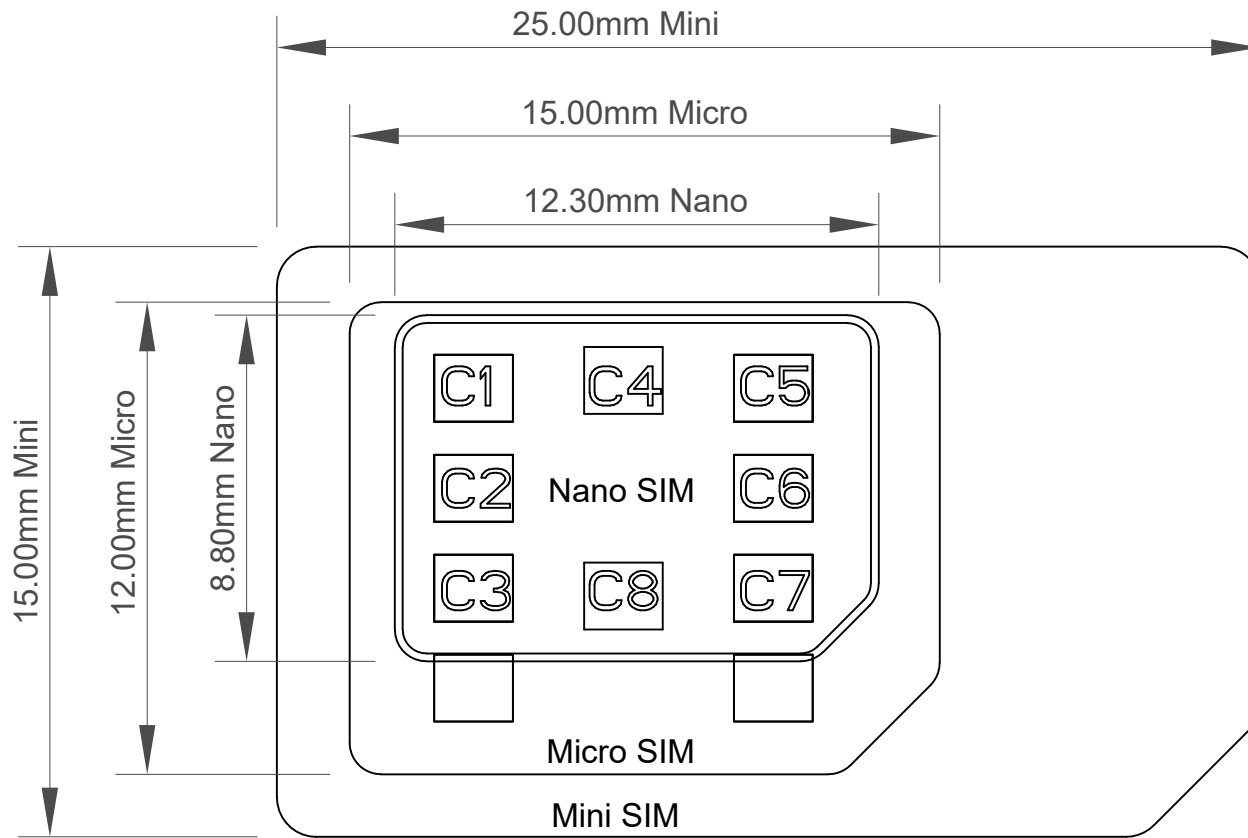
Locating Peg:
 01 = With

Part Number		Product Description	
SIM8066		Nano SIM Card Connector	
Drawing Date		Push-Push Type, SMT, 6Pin, 1.44mm Profile	
19th March 2021			
By	CC	Tolerances (Except as Noted)	Units:
Detail	Drawing Release	Length	Metric (mm)
Revision	A2	X.X ± 0.30	
Date	15/03/22	X.XX ± 0.20	
		X.XXX ± 0.10	± 2°

GCT
 www.gct.co

This drawing is confidential and copyright of Global Connector Technology, Ltd (GCT). This drawing must not be copied or disclosed without written consent. E & OE

Not to Scale	Drawn By CC	Sheet No. 1/3
--------------	-------------	---------------



- C1----->VCC
- C2----->RST
- C3----->CLK
- C5----->GND
- C6----->Vpp
- C7----->I/O

Reference

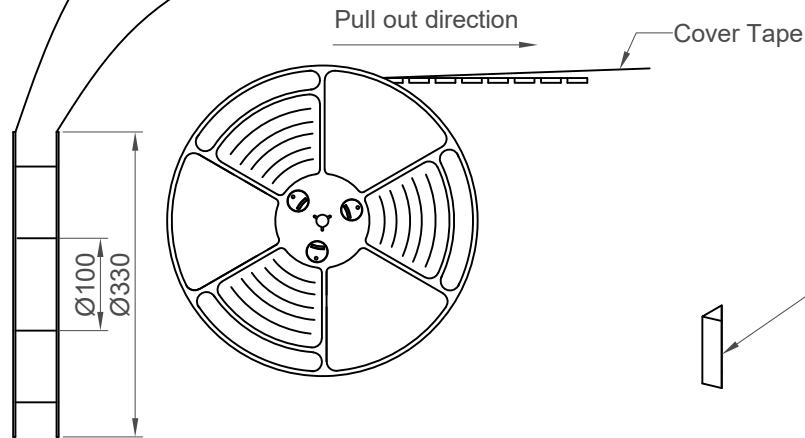
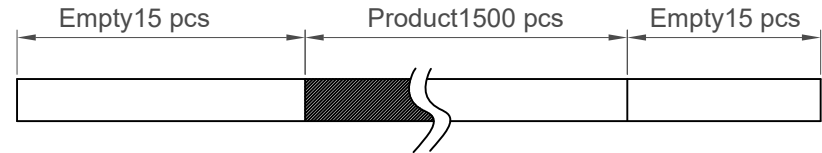
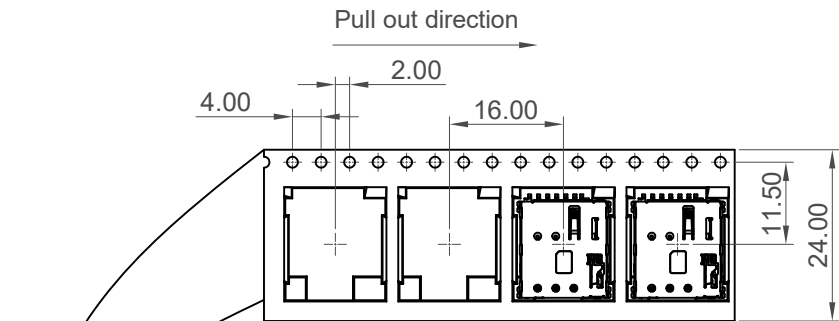
Part Number		Product Description	
SIM8066		Nano SIM Card Connector	
Drawing Date		Push-Push Type, SMT, 6Pin, 1.44mm Profile	
19th March 2021			
By	CC	Tolerances (Except as Noted)	Units:
Detail	Drawing Release	Length	Metric (mm)
Revision	A2	X.X ± 0.30	 3rd Angle Projection
Date	15/03/22	X.XX ± 0.20	
		X.XXX ± 0.10	



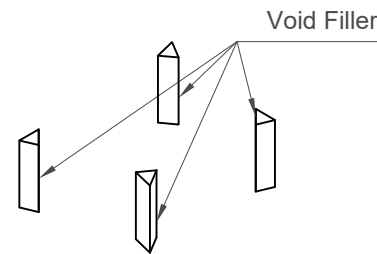
This drawing is confidential and copyright of Global Connector Technology, Ltd (GCT). This drawing must not be copied or disclosed without written consent. E & OE



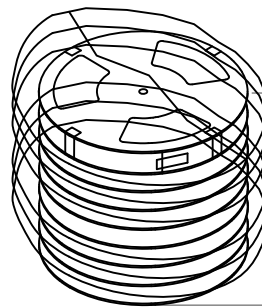
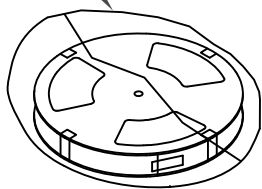
Not to Scale	Drawn By CC	Sheet No. 2/3
--------------	----------------	------------------



Pcs/Reel	Reels/Carton	Pcs/Carton
1500	10	15000

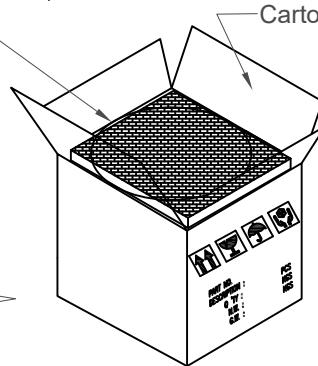


Vacuum Bag



10 Reels

PE Foam

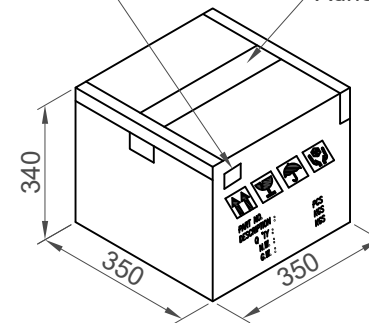


Carton

1500pcs x 10=15000pcs

Label

Adhesive Tape



Part Number		Product Description	
SIM8066		Nano SIM Card Connector	
Drawing Date		Push-Push Type, SMT, 6Pin, 1.44mm Profile	
19th March 2021			
By	CC	Tolerances (Except as Noted)	Units:
Detail	Drawing Release	Length	Metric (mm)
Revision	A2	X.X ± 0.30	
Date	15/03/22	X.XX ± 0.20	
		X.XXX ± 0.10	

This drawing is confidential and copyright of Global Connector Technology, Ltd (GCT). This drawing must not be copied or disclosed without written consent. E & OE



www.gct.co

Not to Scale	Drawn By CC	Sheet No. 3/3
--------------	-------------	---------------