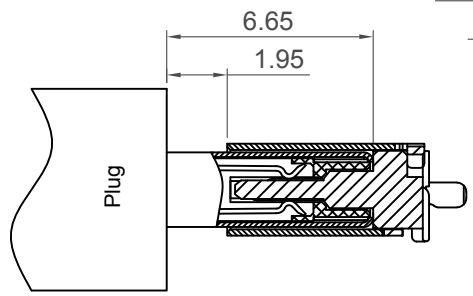
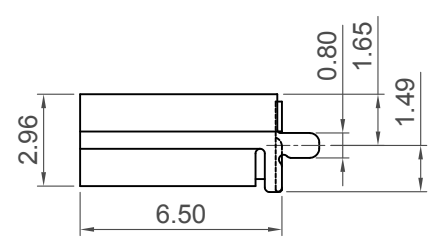
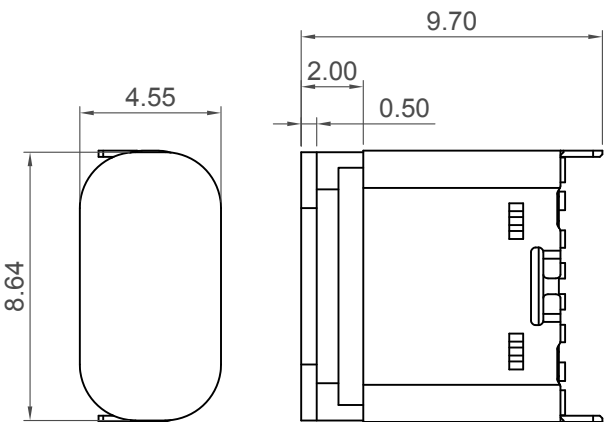


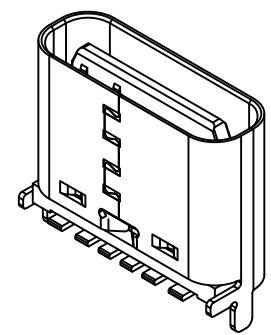
Recommended PCB Layout
 Thickness 1.00 to 1.20
 Tolerance: ±0.05mm
 [Hatched] Solder Area [Dashed] Component Outline



Plug and Receptacle Mating View



Cap Information



Specifications

Material
 Insulator: LCP, UL 94V-0, Black
 Contact: Copper Alloy
 Shell: Stainless Steel
 Middle Plate: Stainless Steel

Plating
 Contact
 Contact Area: Gold Flash
 Solder Tails: 80u" min. Matte Tin over Nickel
 Shell: 50u" min. Nickel
 Middle Plate: Cleaning

Electrical
 Current Rating: 3.00A collectively for Vbus pins
 4.25A collectively for GND pins
 1.25A for B5 pin
 0.25A for A5 pin
 Voltage Rating: 20V DC
 Contact Resistance: 40mΩ max initial.
 50mΩ max after test
 Dielectric Withstanding Voltage: 100V AC
 Insulation Resistance 100MΩ min

Mechanical & Environmental
 Operating Temperature: -30°C to +85°C
 Mating Force: 5 to 20 N.
 Unmated Force: 6 to 20 N after test
 Durability: 10,000 cycles

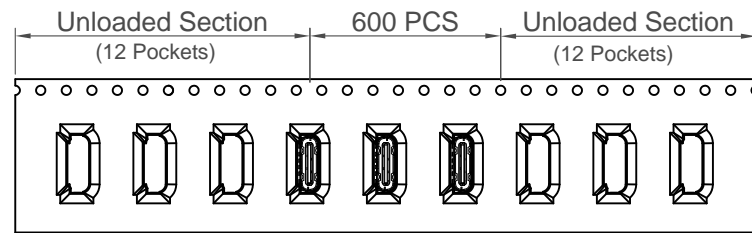
Pin	Signal	Mating Sequence
A5	CC1	Second
A9	Vbus	First
A12	GND	First
B5	CC2	Second
B9	Vbus	First
B12	GND	First
SHELL		GND

Ordering Grid
USB4130 = **GF** = **C** Request Samples and Quotation
 Contact Plating: GF = Gold Flash
 Packing Options: C = Tape & Reel With Cap (600 per reel)

Part Number USB4130		Product Description USB Type C Receptacle, Vertical, SMT, For Power charging only	
Drawing Date 26th November 2020			
By CC	Tolerances (Except as Noted)		Units: Metric (mm)
Detail Drawing Release	Length X.X ± 0.30		
Revision A	Angle X.XX ± 0.25		
Date 01/12/20	X.XXX ± 0.10		
This drawing is confidential and copyright of Global Connector Technology, Ltd (GCT). This drawing must not be copied or disclosed without written consent. E & OE			

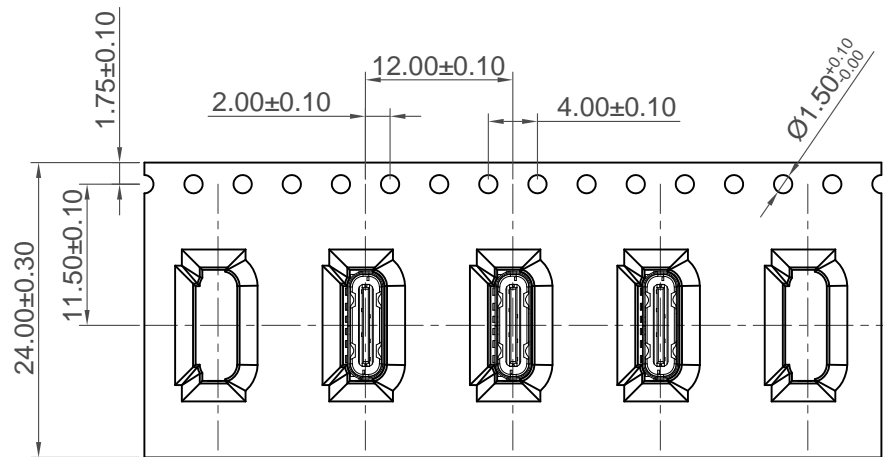
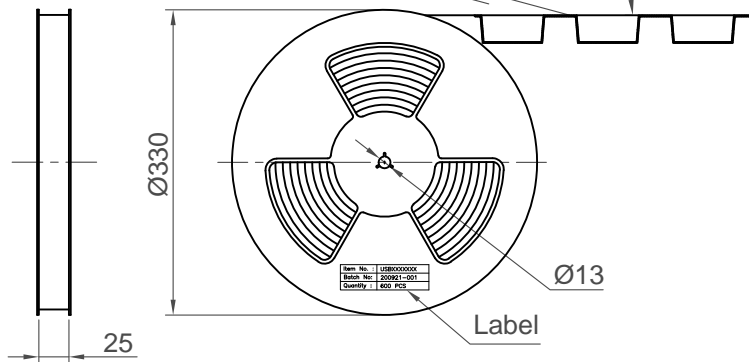


Not to Scale	Drawn By CC	Sheet No. 1/2
--------------	----------------	------------------

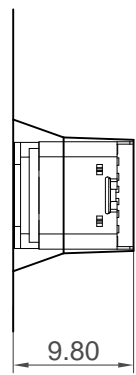
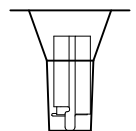


Direction of Unreeling

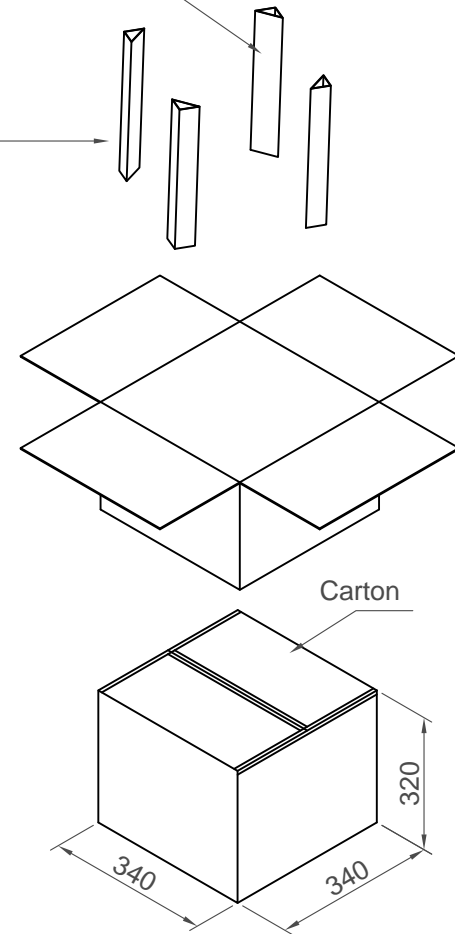
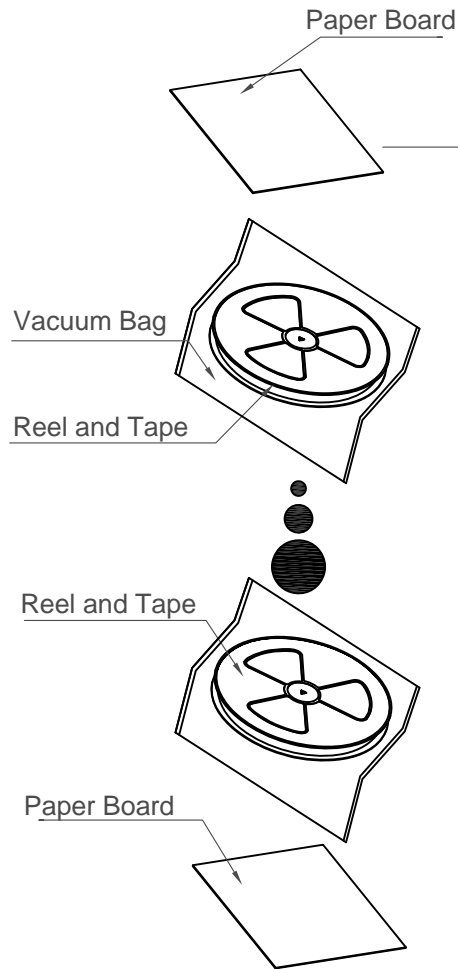
Peeling Angle 165°~180°



Direction of Unreeling



Folder Paper Board



Pcs / Reel	Reels / Carton	Total Quantity
600	10	6,000 pcs

Part Number		Product Description	
USB4130		USB Type C Receptacle, Vertical, SMT, For Power charging only	
Drawing Date		20th November 2020	
By	CC	Tolerances (Except as Noted)	Units:
Detail	Drawing Release	Length	Metric (mm)
Revision	A	Angle	3rd Angle Projection
Date	01/12/20		



This drawing is confidential and copyright of Global Connector Technology, Ltd (GCT). This drawing must not be copied or disclosed without written consent. E & OE



Not to Scale Drawn By CC Sheet No. 2/2