



SMD transformers

E10 EM series

Series/Type: B78307A*A003

Ordering code:

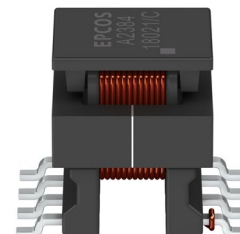
Date: 2020-05-06

Construction

- Ferrite core MnZn
- SMD gullwing pins
- Triple insulated wire
- Non-conductive pick-and-place cap on top

Features

- Height: 11.35 mm max
- Design in compliance with IEC 61558-1; 2-16¹, 61800-5-1¹, IEC 60664-1^{1,2}
- UL1446 class 155(F) electrical insulation system
- Wide temperature range up to +150 °C
- Qualified to AEC-Q200
- RoHS compatible



Applications

- Isolated DC/DC converters (bridge and flyback topology)
- Gate driver circuits (e.g. 1DE020I12FA, for 650 V IGBTs)
- Digital isolator ICs (e.g. Si88xx)

Insulation characteristics

- N1 / N2 creepage ≥ 6 mm, clearance ≥ 5.5 mm (cumulative, core is conductive, free floated between N1 and N2)
- [N1,N2] / [core] creepage ≥ 3 mm, clearance ≥ 2.75 mm
- Top surface / core creepage and clearance ≥ 2 mm
- Plastic materials UL94-V0, CTI ≥ 175
- Insulated wire UL60950-1, Annex U
- Reinforced insulation¹ N1 / N2 working voltage 300 V
- Basic insulation² N1 / N2 working voltage 500 V

Marking

- Product brand, middle block of ordering code, date code, pin 1 marker, production place identification code

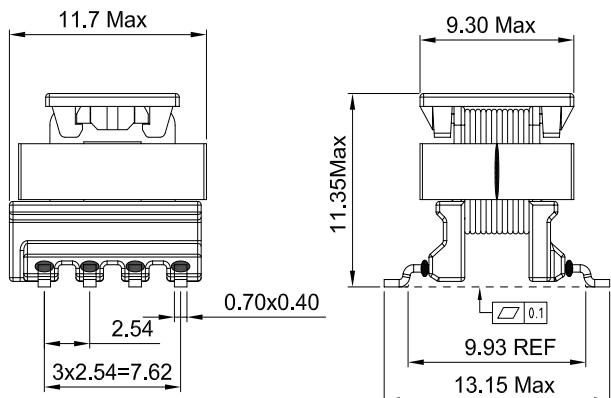
Delivery mode

- Blister tape 380 mm diameter
- Packing unit 280 pcs per reel

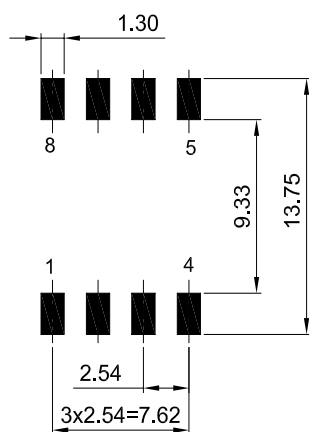
¹ Overvoltage category OVC II, pollution degree P2, CTI ≥ 175 , altitude ≤ 2 km

² Overvoltage category OVC II, pollution degree P2, CTI ≥ 175 , altitude ≤ 5 km

Dimensional drawing and layout recommendation

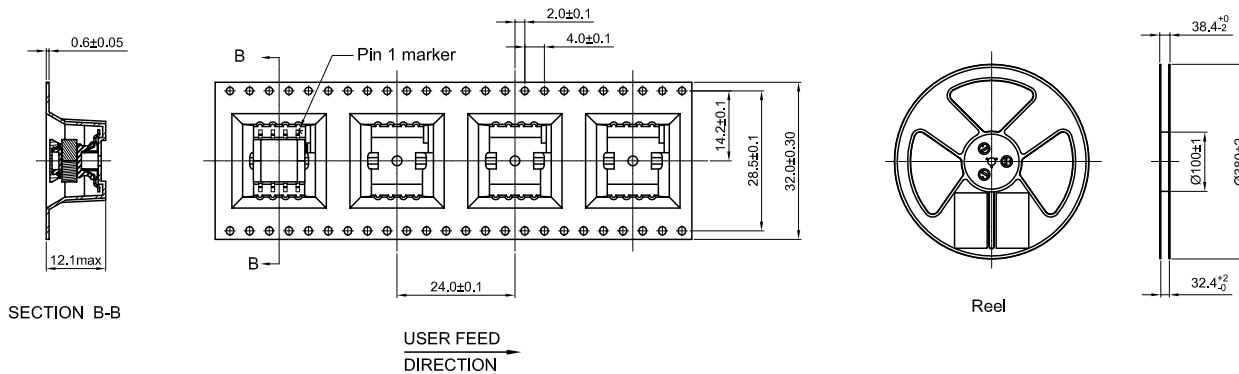


Recommended PCB layout
(Top View)



Dimensions in mm

Blister tape



Technical data and measuring conditions

Specified @ +25 °C if not mentioned otherwise, all values without tolerance are typical values

Typical operational frequency	100 ... 500 kHz (typ.)
High voltage test AC N1 / N2	3000 V AC (50 Hz, 1 s)
High voltage type test AC, N1 / N2	3750 V AC (50 Hz, 60 s)
Partial discharge inception voltage N1/N2	>900 V peak (type test) ³
Partial discharge extinction voltage N1/N2	>700 V peak (type test)
Creepage distance N1 / N2	>6 mm; cumulative, core floating
Clearance distance N1 / N2	>5.5 mm; cumulative, core floating
Creepage distance [N1,N2] / core	>3 mm
Clearance distance [N1,N2] / core	>2.75 mm
Clearance, creepage core / top surface	>2 mm
Pollution degree	P2 (to IEC 60664)
Insulation thermal class	+155 °C (F) to (IEC 60085)
Climatic category	40/150/56 (to IEC 60068)
Storage conditions	-25 °C ... +40 °C, humidity ≤75% RH
Resistance to reflow soldering heat	In accordance with JEDEC J-STD-020D T _{peak} = +245 °C (T _{peak} -5 °C for 30 seconds)
Operating temperature range	-40 °C ... +150 °C (component)
Weight	Approx. 2 g

³ Partial discharge type test, refer to IEC 60664-1:

Extinction voltage for basic and reinforced insulation $\geq V_{op\ peak} \times 1.2$: 500 V \times 1.2 = min. 600 V_{peak};

Inception voltage for basic insulation $\geq V_{op} \times 1.5$ = 500 V \times 1.5 = min. 750 V;

Inception voltage for reinforced insulation $\geq V_{op} \times 1.875$ = 300 V \times 1.875 = min. 563 V_{peak}

Characteristics and ordering codes

Topologies	Turns ratio N1/N2	L_{N1} μH	$L_{\text{leak,typ, N1}}$ μH	$I_{\text{sat,N1}}^4$ A	$E^*dt_{N1}^5$ (max, unipolar/ bipolar) μVs	$R_{\text{DC,N1}}$ $\text{m}\Omega$	$R_{\text{DC,N2}}$ $\text{m}\Omega$	C_p N1/N2 pF	Fig.	Ordering code
B1, B2	1 : 1.08	≥ 100	0.35	-	15 / 30	350	410	9	F1	B78307A2276A003
B1, B2	1 : 0.76	≥ 100	0.45	-	18 / 36	360	300	9	F1	B78307A9741A003
B1, B2	1 : 3.67	≥ 10	0.1	-	10 / 20	200	700	6	F2	B78307A2385A003
B3,B4	1 : 4	$2 \pm 10\%$	0.06	4	-	105	340	4	F3	B78307A2338A003 ⁽³⁾
B3,B4	4 : 1	$25 \pm 10\%$	-	1	-	-	-	4	F4	B78307A2338A003 ⁽³⁾

1) $T \leq 150^\circ\text{C}$, $\bar{B} = 200 \text{ mT}$, $\Delta B = 400 \text{ mT}$ (bipolar mode). The maximum volt-sec rating limits the peak flux density to $\bar{B} = 200 \text{ mT}$ when used in a unipolar drive application. For bipolar drive applications, a maximum volt-sec of two times is acceptable ($\Delta B = 400 \text{ mT}$).

3) B78307A2238A003 Configuration 1 : 4 use pins 8-5 for primary; Configuration 4 : 1 use pins 2-3 for primary

Circuit diagram

Fig. F1

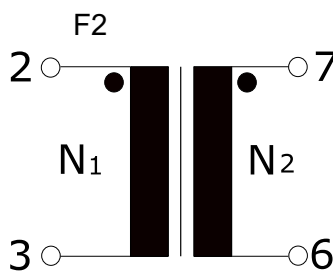
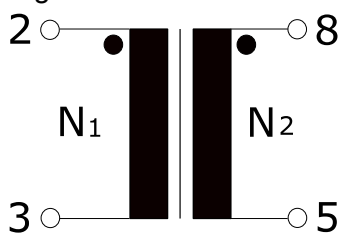
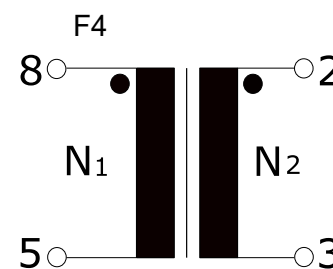
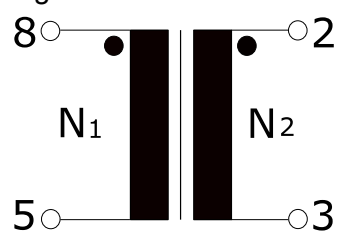


Fig. F3



⁴ $T \leq 150^\circ\text{C}$, L drop $\leq 20\%$

⁵ $T \leq 150^\circ\text{C}$, $\bar{B} = 200 \text{ mT}$, $\Delta B = 400 \text{ mT}$ (bipolar mode). The maximum volt-sec rating limits the peak flux density to $\bar{B} = 200 \text{ mT}$ when used in a unipolar drive application. For bipolar drive applications, a maximum volt-sec of two times is acceptable ($\Delta B = 400 \text{ mT}$)

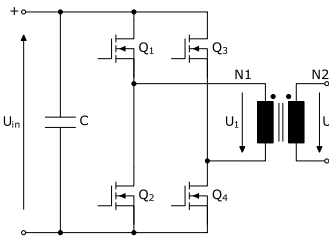
SMD transformers

E10 EM series

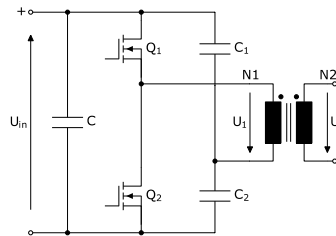
B78307A* A003

Topology examples

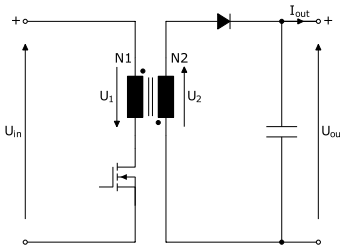
B1) Full Bridge



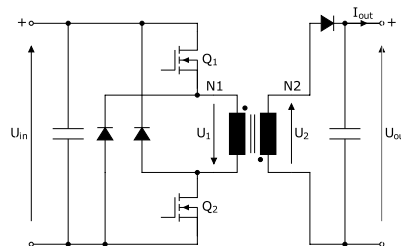
B2) Half Bridge



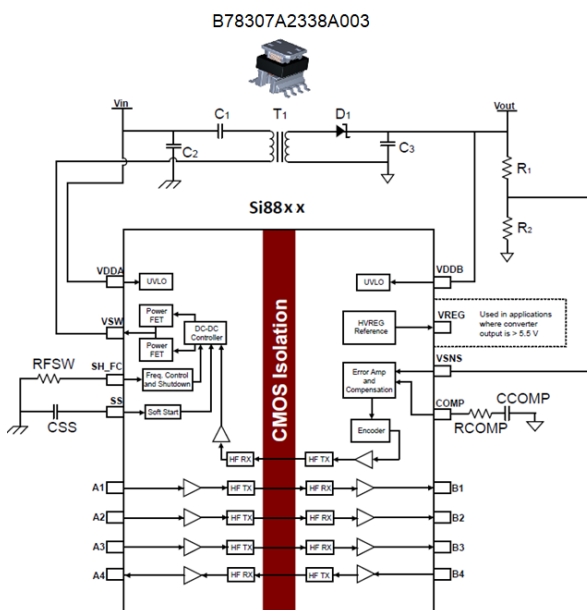
B3) Flyback



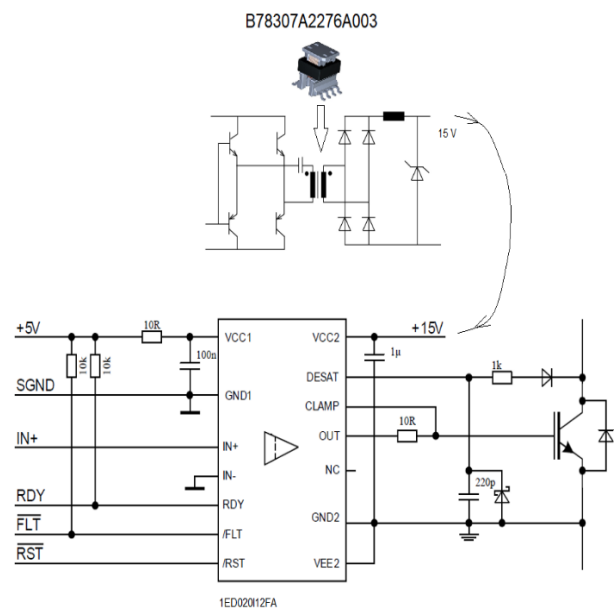
B4) Two switch flyback



A1. Reference design for chipset Silicon Laboratory SiLab Si88xx Digital Isolator



A2. Reference design for chipset Infineon Driver IC 1ED02012FA



Cautions and warnings

- Please note the recommendations in our Inductors data book (latest edition) and in the data sheets.
 - Particular attention should be paid to the derating curves given there.
 - The soldering conditions should also be observed. Temperatures quoted in relation to wave soldering refer to the pin, not the housing.
- If the components are to be washed varnished it is necessary to check whether the washing varnish agent that is used has a negative effect on the wire insulation, any plastics that are used, or on glued joints. In particular, it is possible for washing varnish agent residues to have a negative effect in the long-term on wire insulation. Washing processes may damage the product due to the possible static or cyclic mechanical loads (e.g. ultrasonic cleaning). They may cause cracks to develop on the product and its parts, which might lead to reduced reliability or lifetime.
- The following points must be observed if the components are potted in customer applications:
 - Many potting materials shrink as they harden. They therefore exert a pressure on the plastic housing or core. This pressure can have a deleterious effect on electrical properties, and in extreme cases can damage the core or plastic housing mechanically.
 - It is necessary to check whether the potting material used attacks or destroys the wire insulation, plastics or glue.
 - The effect of the potting material can change the high-frequency behaviour of the components.
 - Many coating materials have a negative effect (chemically and mechanically) on the winding wires, insulation materials and connecting points. Customers are always obligated to determine whether and to what extent their coating materials influence the component. Customers are responsible and bear all risk for the use of the coating material. TDK Electronics does not assume any liability for failures of our components that are caused by the coating material.
- Ceramics / ferrites are sensitive to direct impact. This can cause the core material to flake, or lead to breakage of the core.
- Even for customer-specific products, conclusive validation of the component in the circuit can only be carried out by the customer.

Display of ordering codes for TDK Electronics products

The ordering code for one and the same product can be represented differently in data sheets, data books, other publications, on the company website, or in order-related documents such as shipping notes, order confirmations and product labels. **The varying representations of the ordering codes are due to different processes employed and do not affect the specifications of the respective products.** Detailed information can be found on the Internet under www.tdk-electronics.tdk.com/orderingcodes.

Important notes

The following applies to all products named in this publication:

1. Some parts of this publication contain **statements about the suitability of our products for certain areas of application**. These statements are based on our knowledge of typical requirements that are often placed on our products in the areas of application concerned. We nevertheless expressly point out **that such statements cannot be regarded as binding statements about the suitability of our products for a particular customer application**. As a rule we are either unfamiliar with individual customer applications or less familiar with them than the customers themselves. For these reasons, it is always ultimately incumbent on the customer to check and decide whether a product with the properties described in the product specification is suitable for use in a particular customer application.
2. We also point out that **in individual cases, a malfunction of electronic components or failure before the end of their usual service life cannot be completely ruled out in the current state of the art, even if they are operated as specified**. In customer applications requiring a very high level of operational safety and especially in customer applications in which the malfunction or failure of an electronic component could endanger human life or health (e.g. in accident prevention or life-saving systems), it must therefore be ensured by means of suitable design of the customer application or other action taken by the customer (e.g. installation of protective circuitry or redundancy) that no injury or damage is sustained by third parties in the event of malfunction or failure of an electronic component.
3. **The warnings, cautions and product-specific notes must be observed.**
4. In order to satisfy certain technical requirements, **some of the products described in this publication may contain substances subject to restrictions in certain jurisdictions (e.g. because they are classed as hazardous)**. Useful information on this will be found in our Material Data Sheets on the Internet (www.tdk-electronics.tdk.com/material). Should you have any more detailed questions, please contact our sales offices.
5. We constantly strive to improve our products. Consequently, **the products described in this publication may change from time to time**. The same is true of the corresponding product specifications. Please check therefore to what extent product descriptions and specifications contained in this publication are still applicable before or when you place an order.

We also **reserve the right to discontinue production and delivery of products**. Consequently, we cannot guarantee that all products named in this publication will always be available. The aforementioned does not apply in the case of individual agreements deviating from the foregoing for customer-specific products.

6. Unless otherwise agreed in individual contracts, **all orders are subject to our General Terms and Conditions of Supply**.
7. **Our manufacturing sites serving the automotive business apply the IATF 16949 standard**. The IATF certifications confirm our compliance with requirements regarding the quality management system in the automotive industry. Referring to customer requirements and customer specific requirements ("CSR") TDK always has and will continue to have the policy of respecting individual agreements. Even if IATF 16949 may appear to support the acceptance of unilateral requirements, we hereby like to emphasize that **only requirements mutually agreed upon can and will be implemented in our Quality Management System**. For clarification purposes we like to point out that obligations from IATF 16949 shall only become legally binding if individually agreed upon.

Important notes

8. The trade names EPCOS, CeraCharge, CeraDiode, CeraLink, CeraPad, CeraPlas, CSMP, CTVS, DeltaCap, DigiSiMic, ExoCore, FilterCap, FormFit, LeaXield, MiniBlue, MiniCell, MKD, MKK, ModCap, MotorCap, PCC, PhaseCap, PhaseCube, PhaseMod, PhiCap, PowerHap, PQSine, PQvar, SIFERRIT, SIFI, SIKOREL, SilverCap, SIMDAD, SiMic, SIMID, SineFormer, SIOV, ThermoFuse, WindCap, XieldCap are **trademarks registered or pending** in Europe and in other countries. Further information will be found on the Internet at www.tdk-electronics.tdk.com/trademarks.

Release 2020-05