



# 36-Mbit DDR II SRAM Two-Word Burst Architecture

## Features

- 36-Mbit density (2M × 18, 1M × 36)
- 333 MHz clock for high bandwidth
- Two-word burst for reducing address bus frequency
- Double data rate (DDR) interfaces (data transferred at 666 MHz) at 333 MHz
- Two input clocks (K and  $\bar{K}$ ) for precise DDR timing
  - SRAM uses rising edges only
- Two input clocks for output data (C and  $\bar{C}$ ) to minimize clock skew and flight time mismatches
- Echo clocks (CQ and  $\bar{CQ}$ ) simplify data capture in high speed systems
- Synchronous internally self-timed writes
- DDR II operates with 1.5 cycle read latency when  $\overline{\text{DOFF}}$  is asserted HIGH
- Operates similar to DDR-I device with 1 cycle read latency when  $\overline{\text{DOFF}}$  is asserted LOW
- 1.8 V core power supply with HSTL inputs and outputs
- Variable drive HSTL output buffers
- Expanded HSTL output voltage (1.4 V to  $V_{DD}$ )
  - Supports both 1.5 V and 1.8 V IO supply
- Available in 165-ball FBGA package (13 × 15 × 1.4 mm)
- Offered in both Pb-free and non Pb-free packages
- JTAG 1149.1 compatible test access port
- Phase locked loop (PLL) for accurate data placement

## Configurations

- CY7C1418KV18 – 2M × 18
- CY7C1420KV18 – 1M × 36

## Functional Description

The CY7C1418KV18, and CY7C1420KV18 are 1.8 V synchronous pipelined SRAM equipped with DDR II architecture. The DDR II consists of an SRAM core with advanced synchronous peripheral circuitry and a 1-bit burst counter. Addresses for read and write are latched on alternate rising edges of the input (K) clock. Write data is registered on the rising edges of both K and  $\bar{K}$ . Read data is driven on the rising edges of C and  $\bar{C}$  if provided, or on the rising edge of K and  $\bar{K}$  if C/ $\bar{C}$  are not provided. On CY7C1418KV18 and CY7C1420KV18, the burst counter takes in the least significant bit of the external address and bursts two 18-bit words in the case of CY7C1418KV18 and two 36-bit words in the case of CY7C1420KV18 sequentially into or out of the device.

Asynchronous inputs include an output impedance matching input (ZQ). Synchronous data outputs (Q, sharing the same physical pins as the data inputs D) are tightly matched to the two output echo clocks CQ/ $\bar{CQ}$ , eliminating the need for separately capturing data from each individual DDR SRAM in the system design. Output data clocks (C/ $\bar{C}$ ) enable maximum system clocking and data synchronization flexibility.

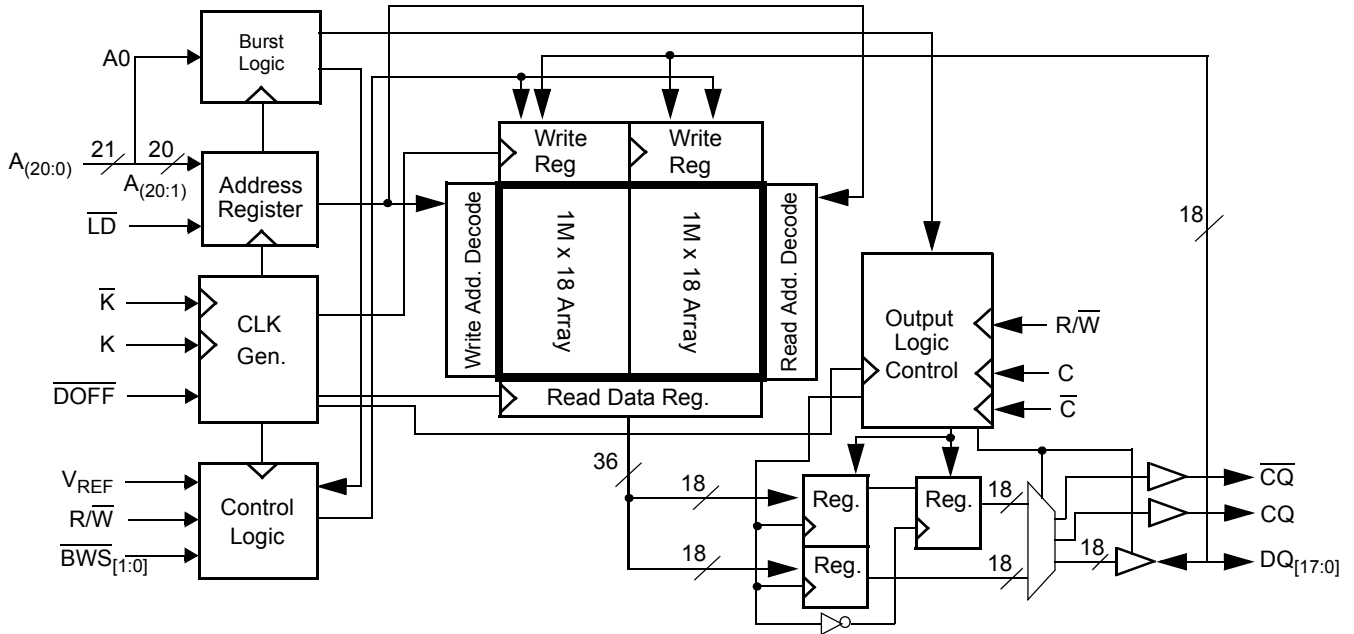
All synchronous inputs pass through input registers controlled by the K or  $\bar{K}$  input clocks. All data outputs pass through output registers controlled by the C or  $\bar{C}$  (or K or  $\bar{K}$  in a single clock domain) input clocks. Writes are conducted with on-chip synchronous self-timed write circuitry.

For a complete list of related documentation, click [here](#).

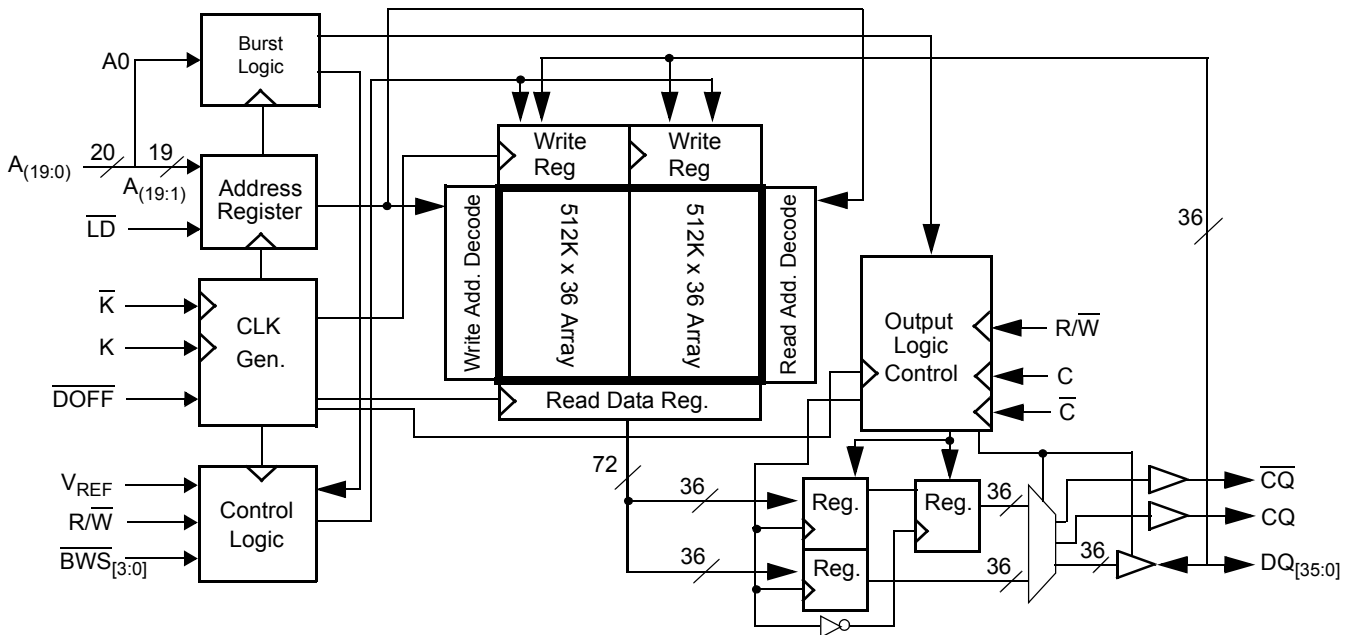
## Selection Guide

| Description                 |      | 333 MHz | 300 MHz | 250 MHz | Unit |
|-----------------------------|------|---------|---------|---------|------|
| Maximum operating frequency |      | 333     | 300     | 250     | MHz  |
| Maximum operating current   | × 18 | 490     | 460     | 430     | mA   |
|                             | × 36 | 600     | 560     | 490     |      |

Logic Block Diagram – CY7C1418KV18



Logic Block Diagram – CY7C1420KV18



## Contents

|                                                      |           |                                                      |           |
|------------------------------------------------------|-----------|------------------------------------------------------|-----------|
| <b>Pin Configurations</b> .....                      | <b>4</b>  | <b>Instruction Codes</b> .....                       | <b>18</b> |
| <b>Pin Definitions</b> .....                         | <b>5</b>  | <b>Boundary Scan Order</b> .....                     | <b>19</b> |
| <b>Functional Overview</b> .....                     | <b>6</b>  | <b>Power Up Sequence in DDR II SRAM</b> .....        | <b>20</b> |
| Read Operations .....                                | 6         | Power Up Sequence .....                              | 20        |
| Write Operations .....                               | 6         | PLL Constraints .....                                | 20        |
| Byte Write Operations .....                          | 7         | <b>Maximum Ratings</b> .....                         | <b>21</b> |
| Single Clock Mode .....                              | 7         | <b>Operating Range</b> .....                         | <b>21</b> |
| DDR Operation .....                                  | 7         | <b>Neutron Soft Error Immunity</b> .....             | <b>21</b> |
| Depth Expansion .....                                | 7         | <b>Electrical Characteristics</b> .....              | <b>21</b> |
| Programmable Impedance .....                         | 7         | DC Electrical Characteristics .....                  | 21        |
| Echo Clocks .....                                    | 7         | AC Electrical Characteristics .....                  | 23        |
| PLL .....                                            | 7         | <b>Capacitance</b> .....                             | <b>23</b> |
| <b>Application Example</b> .....                     | <b>8</b>  | <b>Thermal Resistance</b> .....                      | <b>23</b> |
| <b>Truth Table</b> .....                             | <b>9</b>  | <b>AC Test Loads and Waveforms</b> .....             | <b>23</b> |
| <b>Burst Address Table</b> .....                     | <b>9</b>  | <b>Switching Characteristics</b> .....               | <b>24</b> |
| <b>Write Cycle Descriptions</b> .....                | <b>10</b> | <b>Switching Waveforms</b> .....                     | <b>26</b> |
| <b>Write Cycle Descriptions</b> .....                | <b>11</b> | Read/Write/Deselect Sequence .....                   | 26        |
| <b>IEEE 1149.1 Serial Boundary Scan (JTAG)</b> ..... | <b>12</b> | <b>Ordering Information</b> .....                    | <b>27</b> |
| Disabling the JTAG Feature .....                     | 12        | Ordering Code Definitions .....                      | 27        |
| Test Access Port .....                               | 12        | <b>Package Diagram</b> .....                         | <b>28</b> |
| Performing a TAP Reset .....                         | 12        | <b>Acronyms</b> .....                                | <b>29</b> |
| TAP Registers .....                                  | 12        | <b>Document Conventions</b> .....                    | <b>29</b> |
| TAP Instruction Set .....                            | 12        | Units of Measure .....                               | 29        |
| <b>TAP Controller State Diagram</b> .....            | <b>14</b> | <b>Document History Page</b> .....                   | <b>30</b> |
| <b>TAP Controller Block Diagram</b> .....            | <b>15</b> | <b>Sales, Solutions, and Legal Information</b> ..... | <b>32</b> |
| <b>TAP Electrical Characteristics</b> .....          | <b>15</b> | Worldwide Sales and Design Support .....             | 32        |
| <b>TAP AC Switching Characteristics</b> .....        | <b>16</b> | Products .....                                       | 32        |
| <b>TAP Timing and Test Conditions</b> .....          | <b>17</b> | PSoC@Solutions .....                                 | 32        |
| <b>Identification Register Definitions</b> .....     | <b>18</b> | Cypress Developer Community .....                    | 32        |
| <b>Scan Register Sizes</b> .....                     | <b>18</b> | Technical Support .....                              | 32        |

## Pin Configurations

The pin configurations for CY7C1418KV18, and CY7C1420KV18 follow. [1]

**Figure 1. 165-ball FBGA (13 × 15 × 1.4 mm) pinout**

**CY7C1418KV18 (2M × 18)**

|          | 1                        | 2                | 3                | 4                       | 5                         | 6                     | 7                         | 8                      | 9                | 10               | 11  |
|----------|--------------------------|------------------|------------------|-------------------------|---------------------------|-----------------------|---------------------------|------------------------|------------------|------------------|-----|
| <b>A</b> | $\overline{\text{CQ}}$   | NC/72M           | A                | $\overline{\text{R/W}}$ | $\overline{\text{BWS}}_1$ | $\overline{\text{K}}$ | NC/144M                   | $\overline{\text{LD}}$ | A                | A                | CQ  |
| <b>B</b> | NC                       | DQ9              | NC               | A                       | NC/288M                   | K                     | $\overline{\text{BWS}}_0$ | A                      | NC               | NC               | DQ8 |
| <b>C</b> | NC                       | NC               | NC               | $V_{\text{SS}}$         | A                         | A0                    | A                         | $V_{\text{SS}}$        | NC               | DQ7              | NC  |
| <b>D</b> | NC                       | NC               | DQ10             | $V_{\text{SS}}$         | $V_{\text{SS}}$           | $V_{\text{SS}}$       | $V_{\text{SS}}$           | $V_{\text{SS}}$        | NC               | NC               | NC  |
| <b>E</b> | NC                       | NC               | DQ11             | $V_{\text{DDQ}}$        | $V_{\text{SS}}$           | $V_{\text{SS}}$       | $V_{\text{SS}}$           | $V_{\text{DDQ}}$       | NC               | NC               | DQ6 |
| <b>F</b> | NC                       | DQ12             | NC               | $V_{\text{DDQ}}$        | $V_{\text{DD}}$           | $V_{\text{SS}}$       | $V_{\text{DD}}$           | $V_{\text{DDQ}}$       | NC               | NC               | DQ5 |
| <b>G</b> | NC                       | NC               | DQ13             | $V_{\text{DDQ}}$        | $V_{\text{DD}}$           | $V_{\text{SS}}$       | $V_{\text{DD}}$           | $V_{\text{DDQ}}$       | NC               | NC               | NC  |
| <b>H</b> | $\overline{\text{DOFF}}$ | $V_{\text{REF}}$ | $V_{\text{DDQ}}$ | $V_{\text{DDQ}}$        | $V_{\text{DD}}$           | $V_{\text{SS}}$       | $V_{\text{DD}}$           | $V_{\text{DDQ}}$       | $V_{\text{DDQ}}$ | $V_{\text{REF}}$ | ZQ  |
| <b>J</b> | NC                       | NC               | NC               | $V_{\text{DDQ}}$        | $V_{\text{DD}}$           | $V_{\text{SS}}$       | $V_{\text{DD}}$           | $V_{\text{DDQ}}$       | NC               | DQ4              | NC  |
| <b>K</b> | NC                       | NC               | DQ14             | $V_{\text{DDQ}}$        | $V_{\text{DD}}$           | $V_{\text{SS}}$       | $V_{\text{DD}}$           | $V_{\text{DDQ}}$       | NC               | NC               | DQ3 |
| <b>L</b> | NC                       | DQ15             | NC               | $V_{\text{DDQ}}$        | $V_{\text{SS}}$           | $V_{\text{SS}}$       | $V_{\text{SS}}$           | $V_{\text{DDQ}}$       | NC               | NC               | DQ2 |
| <b>M</b> | NC                       | NC               | NC               | $V_{\text{SS}}$         | $V_{\text{SS}}$           | $V_{\text{SS}}$       | $V_{\text{SS}}$           | $V_{\text{SS}}$        | NC               | DQ1              | NC  |
| <b>N</b> | NC                       | NC               | DQ16             | $V_{\text{SS}}$         | A                         | A                     | A                         | $V_{\text{SS}}$        | NC               | NC               | NC  |
| <b>P</b> | NC                       | NC               | DQ17             | A                       | A                         | C                     | A                         | A                      | NC               | NC               | DQ0 |
| <b>R</b> | TDO                      | TCK              | A                | A                       | A                         | $\overline{\text{C}}$ | A                         | A                      | A                | TMS              | TDI |

**CY7C1420KV18 (1M × 36)**

|          | 1                        | 2                | 3                | 4                       | 5                         | 6                     | 7                         | 8                      | 9                | 10               | 11   |
|----------|--------------------------|------------------|------------------|-------------------------|---------------------------|-----------------------|---------------------------|------------------------|------------------|------------------|------|
| <b>A</b> | $\overline{\text{CQ}}$   | NC/144M          | A                | $\overline{\text{R/W}}$ | $\overline{\text{BWS}}_2$ | $\overline{\text{K}}$ | $\overline{\text{BWS}}_1$ | $\overline{\text{LD}}$ | A                | NC/72M           | CQ   |
| <b>B</b> | NC                       | DQ27             | DQ18             | A                       | $\overline{\text{BWS}}_3$ | K                     | $\overline{\text{BWS}}_0$ | A                      | NC               | NC               | DQ8  |
| <b>C</b> | NC                       | NC               | DQ28             | $V_{\text{SS}}$         | A                         | A0                    | A                         | $V_{\text{SS}}$        | NC               | DQ17             | DQ7  |
| <b>D</b> | NC                       | DQ29             | DQ19             | $V_{\text{SS}}$         | $V_{\text{SS}}$           | $V_{\text{SS}}$       | $V_{\text{SS}}$           | $V_{\text{SS}}$        | NC               | NC               | DQ16 |
| <b>E</b> | NC                       | NC               | DQ20             | $V_{\text{DDQ}}$        | $V_{\text{SS}}$           | $V_{\text{SS}}$       | $V_{\text{SS}}$           | $V_{\text{DDQ}}$       | NC               | DQ15             | DQ6  |
| <b>F</b> | NC                       | DQ30             | DQ21             | $V_{\text{DDQ}}$        | $V_{\text{DD}}$           | $V_{\text{SS}}$       | $V_{\text{DD}}$           | $V_{\text{DDQ}}$       | NC               | NC               | DQ5  |
| <b>G</b> | NC                       | DQ31             | DQ22             | $V_{\text{DDQ}}$        | $V_{\text{DD}}$           | $V_{\text{SS}}$       | $V_{\text{DD}}$           | $V_{\text{DDQ}}$       | NC               | NC               | DQ14 |
| <b>H</b> | $\overline{\text{DOFF}}$ | $V_{\text{REF}}$ | $V_{\text{DDQ}}$ | $V_{\text{DDQ}}$        | $V_{\text{DD}}$           | $V_{\text{SS}}$       | $V_{\text{DD}}$           | $V_{\text{DDQ}}$       | $V_{\text{DDQ}}$ | $V_{\text{REF}}$ | ZQ   |
| <b>J</b> | NC                       | NC               | DQ32             | $V_{\text{DDQ}}$        | $V_{\text{DD}}$           | $V_{\text{SS}}$       | $V_{\text{DD}}$           | $V_{\text{DDQ}}$       | NC               | DQ13             | DQ4  |
| <b>K</b> | NC                       | NC               | DQ23             | $V_{\text{DDQ}}$        | $V_{\text{DD}}$           | $V_{\text{SS}}$       | $V_{\text{DD}}$           | $V_{\text{DDQ}}$       | NC               | DQ12             | DQ3  |
| <b>L</b> | NC                       | DQ33             | DQ24             | $V_{\text{DDQ}}$        | $V_{\text{SS}}$           | $V_{\text{SS}}$       | $V_{\text{SS}}$           | $V_{\text{DDQ}}$       | NC               | NC               | DQ2  |
| <b>M</b> | NC                       | NC               | DQ34             | $V_{\text{SS}}$         | $V_{\text{SS}}$           | $V_{\text{SS}}$       | $V_{\text{SS}}$           | $V_{\text{SS}}$        | NC               | DQ11             | DQ1  |
| <b>N</b> | NC                       | DQ35             | DQ25             | $V_{\text{SS}}$         | A                         | A                     | A                         | $V_{\text{SS}}$        | NC               | NC               | DQ10 |
| <b>P</b> | NC                       | NC               | DQ26             | A                       | A                         | C                     | A                         | A                      | NC               | DQ9              | DQ0  |
| <b>R</b> | TDO                      | TCK              | A                | A                       | A                         | $\overline{\text{C}}$ | A                         | A                      | A                | TMS              | TDI  |

**Note**

1. NC/72M, NC/144M, and NC/288M are not connected to the die and can be tied to any voltage level.

## Pin Definitions

| Pin Name                                                                                   | I/O                      | Pin Description                                                                                                                                                                                                                                                                                                                                                                                                                                                                                                                                                                                                                                                                                                                                                                                                                     |
|--------------------------------------------------------------------------------------------|--------------------------|-------------------------------------------------------------------------------------------------------------------------------------------------------------------------------------------------------------------------------------------------------------------------------------------------------------------------------------------------------------------------------------------------------------------------------------------------------------------------------------------------------------------------------------------------------------------------------------------------------------------------------------------------------------------------------------------------------------------------------------------------------------------------------------------------------------------------------------|
| DQ <sub>[x:0]</sub>                                                                        | Input output-synchronous | <b>Data input output signals.</b> Inputs are sampled on the rising edge of K and $\overline{K}$ clocks during valid write operations. These pins drive out the requested data when the read operation is active. Valid data is driven out on the rising edge of both the C and $\overline{C}$ clocks during read operations or K and $\overline{K}$ when in single clock mode. When read access is deselected, Q <sub>[x:0]</sub> are automatically tristated.<br>CY7C1418KV18 – DQ <sub>[17:0]</sub><br>CY7C1420KV18 – DQ <sub>[35:0]</sub>                                                                                                                                                                                                                                                                                        |
| $\overline{LD}$                                                                            | Input-synchronous        | <b>Synchronous load.</b> This input is brought LOW when a bus cycle sequence is defined. This definition includes address and read/write direction. All transactions operate on a burst of 2 data.                                                                                                                                                                                                                                                                                                                                                                                                                                                                                                                                                                                                                                  |
| $\overline{BWS}_0$ ,<br>$\overline{BWS}_1$ ,<br>$\overline{BWS}_2$ ,<br>$\overline{BWS}_3$ | Input-synchronous        | <b>Byte write select 0, 1, 2, and 3 – active LOW.</b> Sampled on the rising edge of the K and $\overline{K}$ clocks during write operations. Used to select which byte is written into the device during the current portion of the write operations. Bytes not written remain unaltered.<br>CY7C1418KV18 – $\overline{BWS}_0$ controls D <sub>[8:0]</sub> and $\overline{BWS}_1$ controls D <sub>[17:9]</sub> .<br>CY7C1420KV18 – $\overline{BWS}_0$ controls D <sub>[8:0]</sub> , $\overline{BWS}_1$ controls D <sub>[17:9]</sub> , $\overline{BWS}_2$ controls D <sub>[26:18]</sub> and $\overline{BWS}_3$ controls D <sub>[35:27]</sub> .<br>All the byte write selects are sampled on the same edge as the data. Deselecting a byte write select ignores the corresponding byte of data and it is not written into the device. |
| A, A0                                                                                      | Input-synchronous        | <b>Address inputs.</b> These address inputs are multiplexed for both read and write operations. Internally, the device is organized as 2M × 18 (2 arrays each of 1M × 18) for CY7C1418KV18, and 1M × 36 (2 arrays each of 512K × 36) for CY7C1420KV18.<br>CY7C1418KV18 – A0 is the input to the burst counter. These are incremented in a linear fashion internally. 21 address inputs are needed to access the entire memory array.<br>CY7C1420KV18 – A0 is the input to the burst counter. These are incremented in a linear fashion internally. 20 address inputs are needed to access the entire memory array. All the address inputs are ignored when the appropriate port is deselected.                                                                                                                                      |
| R/ $\overline{W}$                                                                          | Input-synchronous        | <b>Synchronous read or write input.</b> When $\overline{LD}$ is LOW, this input designates the access type (read when R/ $\overline{W}$ is HIGH, write when R/ $\overline{W}$ is LOW) for loaded address. R/ $\overline{W}$ must meet the setup and hold times around edge of K.                                                                                                                                                                                                                                                                                                                                                                                                                                                                                                                                                    |
| C                                                                                          | Input clock              | <b>Positive input clock for output data.</b> C is used in conjunction with $\overline{C}$ to clock out the read data from the device. C and $\overline{C}$ can be used together to deskew the flight times of various devices on the board back to the controller. See application example for further details.                                                                                                                                                                                                                                                                                                                                                                                                                                                                                                                     |
| $\overline{C}$                                                                             | Input clock              | <b>Negative input clock for output data.</b> $\overline{C}$ is used in conjunction with C to clock out the read data from the device. C and $\overline{C}$ can be used together to deskew the flight times of various devices on the board back to the controller. See application example for further details.                                                                                                                                                                                                                                                                                                                                                                                                                                                                                                                     |
| K                                                                                          | Input clock              | <b>Positive input clock input.</b> The rising edge of K is used to capture synchronous inputs to the device and to drive out data through Q <sub>[x:0]</sub> when in single clock mode. All accesses are initiated on the rising edge of K.                                                                                                                                                                                                                                                                                                                                                                                                                                                                                                                                                                                         |
| $\overline{K}$                                                                             | Input clock              | <b>Negative input clock input.</b> $\overline{K}$ is used to capture synchronous data being presented to the device and to drive out data through Q <sub>[x:0]</sub> when in single clock mode.                                                                                                                                                                                                                                                                                                                                                                                                                                                                                                                                                                                                                                     |
| CQ                                                                                         | Output clock             | <b>CQ referenced with respect to C.</b> This is a free running clock and is synchronized to the input clock for output data (C) of the DDR II. In the single clock mode, CQ is generated with respect to K. The timing for the echo clocks is shown in the AC Timing table.                                                                                                                                                                                                                                                                                                                                                                                                                                                                                                                                                         |
| $\overline{CQ}$                                                                            | Output clock             | <b>CQ referenced with respect to C.</b> This is a free running clock and is synchronized to the input clock for output data ( $\overline{C}$ ) of the DDR II. In the single clock mode, $\overline{CQ}$ is generated with respect to $\overline{K}$ . The timing for the echo clocks is shown in the AC Timing table.                                                                                                                                                                                                                                                                                                                                                                                                                                                                                                               |
| ZQ                                                                                         | Input                    | <b>Output impedance matching input.</b> This input is used to tune the device outputs to the system data bus impedance. CQ, $\overline{CQ}$ , and Q <sub>[x:0]</sub> output impedance are set to 0.2 × RQ, where RQ is a resistor connected between ZQ and ground. Alternatively, this pin can be connected directly to V <sub>DDQ</sub> , which enables the minimum impedance mode. This pin cannot be connected directly to GND or left unconnected.                                                                                                                                                                                                                                                                                                                                                                              |

**Pin Definitions** (continued)

| Pin Name         | I/O             | Pin Description                                                                                                                                                                                                                                                                                                                                                                                                                                                   |
|------------------|-----------------|-------------------------------------------------------------------------------------------------------------------------------------------------------------------------------------------------------------------------------------------------------------------------------------------------------------------------------------------------------------------------------------------------------------------------------------------------------------------|
| DOFF             | Input           | <b>PLL turn off – active LOW.</b> Connecting this pin to ground turns off the PLL inside the device. The timing in the PLL turned off operation differs from those listed in this data sheet. For normal operation, this pin is connected to a pull-up through a 10 K $\Omega$ or less pull-up resistor. The device behaves in DDR-I mode when the PLL is turned off. In this mode, the device can be operated at a frequency of up to 167 MHz with DDR-I timing. |
| TDO              | Output          | <b>TDO pin for JTAG.</b>                                                                                                                                                                                                                                                                                                                                                                                                                                          |
| TCK              | Input           | <b>TCK pin for JTAG.</b>                                                                                                                                                                                                                                                                                                                                                                                                                                          |
| TDI              | Input           | <b>TDI pin for JTAG.</b>                                                                                                                                                                                                                                                                                                                                                                                                                                          |
| TMS              | Input           | <b>TMS pin for JTAG.</b>                                                                                                                                                                                                                                                                                                                                                                                                                                          |
| NC               | N/A             | <b>Not connected to the die.</b> Can be tied to any voltage level.                                                                                                                                                                                                                                                                                                                                                                                                |
| NC/72M           | Input           | <b>Not connected to the die.</b> Can be tied to any voltage level.                                                                                                                                                                                                                                                                                                                                                                                                |
| NC/144M          | Input           | <b>Not connected to the die.</b> Can be tied to any voltage level.                                                                                                                                                                                                                                                                                                                                                                                                |
| NC/288M          | Input           | <b>Not connected to the die.</b> Can be tied to any voltage level.                                                                                                                                                                                                                                                                                                                                                                                                |
| V <sub>REF</sub> | Input-reference | <b>Reference voltage input.</b> Static input used to set the reference level for HSTL inputs, outputs, and AC measurement points.                                                                                                                                                                                                                                                                                                                                 |
| V <sub>DD</sub>  | Power supply    | <b>Power supply inputs to the core of the device.</b>                                                                                                                                                                                                                                                                                                                                                                                                             |
| V <sub>SS</sub>  | Ground          | <b>Ground for the device.</b>                                                                                                                                                                                                                                                                                                                                                                                                                                     |
| V <sub>DDQ</sub> | Power supply    | <b>Power supply inputs for the outputs of the device.</b>                                                                                                                                                                                                                                                                                                                                                                                                         |

**Functional Overview**

The CY7C1418KV18, and CY7C1420KV18 are synchronous pipelined burst SRAMs equipped with a DDR interface, which operates with a read latency of one and a half cycles when DOFF pin is tied HIGH. When DOFF pin is set LOW or connected to V<sub>SS</sub> the device behaves in DDR-I mode with a read latency of one clock cycle.

Accesses are initiated on the rising edge of the positive input clock (K). All synchronous input timing is referenced from the rising edge of the input clocks (K and K) and all output timing is referenced to the rising edge of the output clocks (C/C, or K/K when in single clock mode).

All synchronous data inputs (D<sub>[x:0]</sub>) pass through input registers controlled by the rising edge of the input clocks (K and K). All synchronous data outputs (Q<sub>[x:0]</sub>) pass through output registers controlled by the rising edge of the output clocks (C/C, or K/K when in single clock mode).

All synchronous control (R/W, LD, BWS<sub>[0:x]</sub>) inputs pass through input registers controlled by the rising edge of the input clock (K).

CY7C1418KV18 is described in the following sections. The same basic descriptions apply to CY7C1420KV18.

**Read Operations**

The CY7C1418KV18 is organized internally as a two arrays of 1M × 18. Accesses are completed in a burst of 2 sequential 18-bit data words. Read operations are initiated by asserting R/W HIGH and LD LOW at the rising edge of the positive input clock (K). The address presented to address inputs is stored in the read address register and the least significant bit of the address is presented to the burst counter. The burst counter increments the address in a linear fashion. Following the next K clock rise,

the corresponding 18-bit word of data from this address location is driven onto the Q<sub>[17:0]</sub> using C as the output timing reference. On the subsequent rising edge of C the next 18-bit data word from the address location generated by the burst counter is driven onto the Q<sub>[17:0]</sub>. The requested data is valid 0.45 ns from the rising edge of the output clock (C or C, or K and K when in single clock mode, 250 MHz, and 300 MHz device). To maintain the internal logic, each read access must be allowed to complete. Read accesses can be initiated on every rising edge of the positive input clock (K).

When read access is deselected, the CY7C1418KV18 first completes the pending read transactions. Synchronous internal circuitry automatically tristates the output following the next rising edge of the positive output clock (C). This enables for a transition between devices without the insertion of wait states in a depth expanded memory.

**Write Operations**

Write operations are initiated by asserting R/W LOW and LD LOW at the rising edge of the positive input clock (K). The address presented to address inputs is stored in the write address register and the least significant bit of the address is presented to the burst counter. The burst counter increments the address in a linear fashion. On the following K clock rise, the data presented to D<sub>[17:0]</sub> is latched and stored into the 18-bit write data register, provided BWS<sub>[1:0]</sub> are both asserted active. On the subsequent rising edge of the Negative Input Clock (K) the information presented to D<sub>[17:0]</sub> is also stored into the write data register, provided BWS<sub>[1:0]</sub> are both asserted active. The 36 bits of data are then written into the memory array at the specified location. Write accesses can be initiated on every rising edge of the positive input clock (K). Doing so pipelines the data flow such that 18 bits of data can be transferred into the device on every rising edge of the input clocks (K and K).

When the write access is deselected, the device ignores all inputs after the pending write operations have been completed.

### Byte Write Operations

Byte write operations are supported by the CY7C1418KV18. A write operation is initiated as described in the [Write Operations](#) section. The bytes that are written are determined by  $BWS_0$  and  $BWS_1$ , which are sampled with each set of 18-bit data words. Asserting the appropriate byte write select input during the data portion of a write latches the data being presented and writes it into the device. Deasserting the byte write select input during the data portion of a write enables the data stored in the device for that byte to remain unaltered. This feature is used to simplify read, modify, or write operations to a byte write operation.

### Single Clock Mode

The CY7C1418KV18 is used with a single clock that controls both the input and output registers. In this mode, the device recognizes only a single pair of input clocks ( $K$  and  $\bar{K}$ ) that control both the input and output registers. This operation is identical to the operation if the device had zero skew between the  $K/\bar{K}$  and  $C/\bar{C}$  clocks. All timing parameters remain the same in this mode. To use this mode of operation, the user must tie  $C$  and  $\bar{C}$  HIGH at power on. This function is a strap option and not alterable during device operation.

### DDR Operation

The CY7C1418KV18 enables high performance operation through high clock frequencies (achieved through pipelining) and DDR mode of operation. The CY7C1418KV18 requires a single No Operation (NOP) cycle during transition from a read to a write cycle. At higher frequencies, some applications may require a second NOP cycle to avoid contention.

If a read occurs after a write cycle, address and data for the write are stored in registers. The write information must be stored because the SRAM cannot perform the last word write to the array without conflicting with the read. The data stays in this register until the next write cycle occurs. On the first write cycle after the read(s), the stored data from the earlier write is written into the SRAM array. This is called a posted write.

If a read is performed on the same address on which a write is performed in the previous cycle, the SRAM reads out the most

current data. The SRAM does this by bypassing the memory array and reading the data from the registers.

### Depth Expansion

Depth expansion requires replicating the  $\overline{LD}$  control signal for each bank. All other control signals can be common between banks as appropriate.

### Programmable Impedance

An external resistor,  $R_Q$ , must be connected between the ZQ pin on the SRAM and  $V_{SS}$  to allow the SRAM to adjust its output driver impedance. The value of  $R_Q$  must be  $5 \times$  the value of the intended line impedance driven by the SRAM. The allowable range of  $R_Q$  to guarantee impedance matching with a tolerance of  $\pm 15\%$  is between  $175 \Omega$  and  $350 \Omega$ , with  $V_{DDQ} = 1.5 \text{ V}$ . The output impedance is adjusted every 1024 cycles upon power-up to account for drifts in supply voltage and temperature.

### Echo Clocks

Echo clocks are provided on the DDR II to simplify data capture on high speed systems. Two echo clocks are generated by the DDR II.  $CQ$  is referenced with respect to  $C$  and  $\overline{CQ}$  is referenced with respect to  $\bar{C}$ . These are free running clocks and are synchronized to the output clock of the DDR II. In single clock mode,  $CQ$  is generated with respect to  $K$  and  $\overline{CQ}$  is generated with respect to  $\bar{K}$ . The timing for the echo clocks is shown in the [Switching Characteristics on page 24](#).

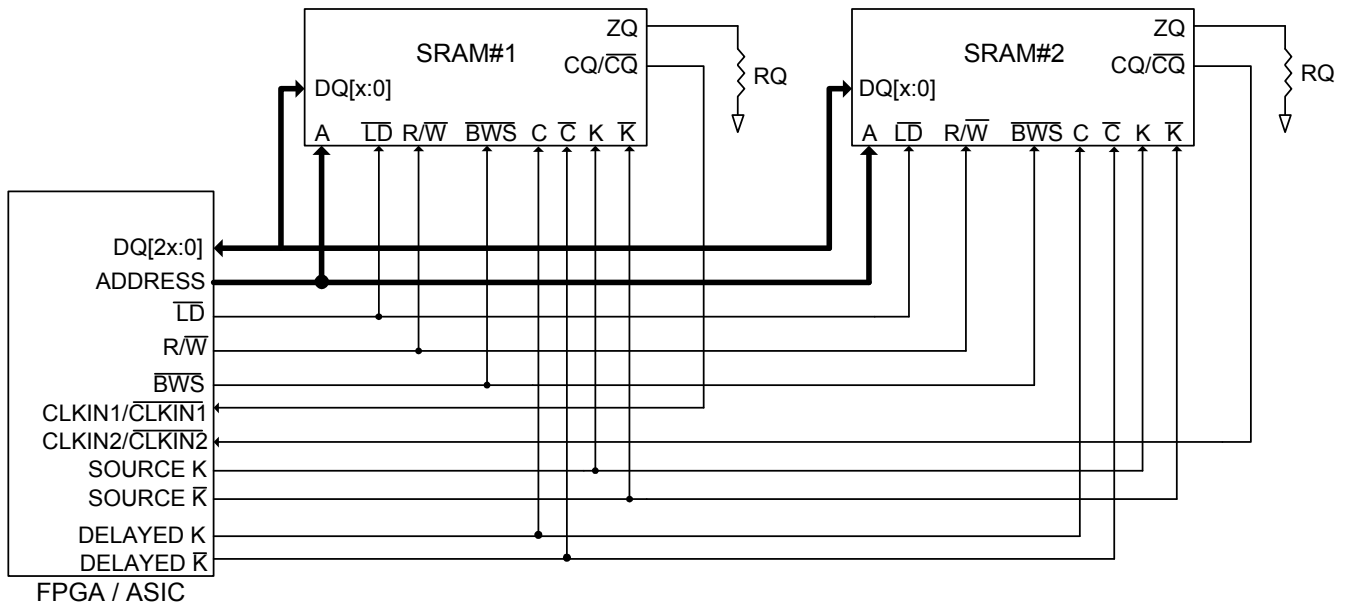
### PLL

These chips use a PLL which is designed to function between 120 MHz and the specified maximum clock frequency. During power up, when the  $\overline{DOFF}$  is tied HIGH, the PLL is locked after 20  $\mu\text{s}$  of stable clock. The PLL can also be reset by slowing or stopping the input clock  $K$  and  $\bar{K}$  for a minimum of 30 ns. However, it is not necessary to reset the PLL to lock to the desired frequency. The PLL automatically locks 20  $\mu\text{s}$  after a stable clock is presented. The PLL may be disabled by applying ground to the  $\overline{DOFF}$  pin. When the PLL is turned off, the device behaves in DDR-I mode (with one cycle latency and a longer access time).

## Application Example

Figure 2 shows two DDR II used in an application.

**Figure 2. Application Example (Width Expansion)**





## Truth Table

The truth table for the CY7C1418KV18, and CY7C1420KV18 follow. [2, 3, 4, 5, 6, 7]

| Operation                                                                                                              | K       | $\overline{LD}$ | $\overline{R/W}$ | DQ                               | DQ                               |
|------------------------------------------------------------------------------------------------------------------------|---------|-----------------|------------------|----------------------------------|----------------------------------|
| Write cycle:<br>Load address; wait one cycle;<br>input write data on consecutive K and $\overline{K}$ rising edges.    | L–H     | L               | L                | D(A1) at K(t + 1) ↑              | D(A2) at $\overline{K}(t + 1)$ ↑ |
| Read cycle:<br>Load address; wait one and a half cycle;<br>read data on consecutive $\overline{C}$ and C rising edges. | L–H     | L               | H                | Q(A1) at $\overline{C}(t + 1)$ ↑ | Q(A2) at C(t + 2) ↑              |
| NOP: No operation                                                                                                      | L–H     | H               | X                | High Z                           | High Z                           |
| Standby: Clock stopped                                                                                                 | Stopped | X               | X                | Previous state                   | Previous state                   |

## Burst Address Table

(CY7C1418KV18, CY7C1420KV18)

| First Address (External) | Second Address (Internal) |
|--------------------------|---------------------------|
| X..X0                    | X..X1                     |
| X..X1                    | X..X0                     |

### Notes

2. X = "Don't Care," H = Logic HIGH, L = Logic LOW, ↑ represents rising edge.
3. Device powers up deselected with the outputs in a tristate condition.
4. On CY7C1418KV18 and CY7C1420KV18, "A1" represents address location latched by the devices when transaction was initiated and "A2" represents the addresses sequence in the burst.
5. "t" represents the cycle at which a read/write operation is started. t + 1 and t + 2 are the first and second clock cycles succeeding the "t" clock cycle.
6. Data inputs are registered at K and  $\overline{K}$  rising edges. Data outputs are delivered on C and  $\overline{C}$  rising edges, except when in single clock mode.
7. Ensure that when the clock is stopped K = K and C = C = HIGH. This is not essential, but permits most rapid restart by overcoming transmission line charging symmetrically.

## Write Cycle Descriptions

The write cycle description table for CY7C1418KV18 follows. [8, 9]

| $\overline{\text{BWS}}_0$ | $\overline{\text{BWS}}_1$ | K   | $\overline{\text{K}}$ | Comments                                                                                                                                                    |
|---------------------------|---------------------------|-----|-----------------------|-------------------------------------------------------------------------------------------------------------------------------------------------------------|
| L                         | L                         | L-H | -                     | During the data portion of a write sequence: CY7C1418KV18 – both bytes ( $D_{[17:0]}$ ) are written into the device.                                        |
| L                         | L                         | -   | L-H                   | During the data portion of a write sequence: CY7C1418KV18 – both bytes ( $D_{[17:0]}$ ) are written into the device.                                        |
| L                         | H                         | L-H | -                     | During the data portion of a write sequence: CY7C1418KV18 – only the lower byte ( $D_{[8:0]}$ ) is written into the device, $D_{[17:9]}$ remains unaltered. |
| L                         | H                         | -   | L-H                   | During the data portion of a write sequence: CY7C1418KV18 – only the lower byte ( $D_{[8:0]}$ ) is written into the device, $D_{[17:9]}$ remains unaltered. |
| H                         | L                         | L-H | -                     | During the data portion of a write sequence: CY7C1418KV18 – only the upper byte ( $D_{[17:9]}$ ) is written into the device, $D_{[8:0]}$ remains unaltered. |
| H                         | L                         | -   | L-H                   | During the data portion of a write sequence: CY7C1418KV18 – only the upper byte ( $D_{[17:9]}$ ) is written into the device, $D_{[8:0]}$ remains unaltered. |
| H                         | H                         | L-H | -                     | No data is written into the devices during this portion of a write operation.                                                                               |
| H                         | H                         | -   | L-H                   | No data is written into the devices during this portion of a write operation.                                                                               |

### Notes

8. X = "Don't Care," H = Logic HIGH, L = Logic LOW,  $\uparrow$  represents rising edge.

9. Is based on a write cycle that was initiated in accordance with the Truth Table on page 9.  $\overline{\text{BWS}}_0$ ,  $\overline{\text{BWS}}_1$ ,  $\overline{\text{BWS}}_2$ , and  $\overline{\text{BWS}}_3$  can be altered on different portions of a write cycle, as long as the setup and hold requirements are achieved.

## Write Cycle Descriptions

The write cycle description table for CY7C1420KV18 follows. <sup>[10, 11]</sup>

| $\overline{\text{BWS}}_0$ | $\overline{\text{BWS}}_1$ | $\overline{\text{BWS}}_2$ | $\overline{\text{BWS}}_3$ | K   | $\overline{\text{K}}$ | Comments                                                                                                                                                                       |
|---------------------------|---------------------------|---------------------------|---------------------------|-----|-----------------------|--------------------------------------------------------------------------------------------------------------------------------------------------------------------------------|
| L                         | L                         | L                         | L                         | L-H | -                     | During the data portion of a write sequence, all four bytes (D <sub>[35:0]</sub> ) are written into the device.                                                                |
| L                         | L                         | L                         | L                         | -   | L-H                   | During the data portion of a write sequence, all four bytes (D <sub>[35:0]</sub> ) are written into the device.                                                                |
| L                         | H                         | H                         | H                         | L-H | -                     | During the data portion of a write sequence, only the lower byte (D <sub>[8:0]</sub> ) is written into the device. D <sub>[35:9]</sub> remains unaltered.                      |
| L                         | H                         | H                         | H                         | -   | L-H                   | During the data portion of a write sequence, only the lower byte (D <sub>[8:0]</sub> ) is written into the device. D <sub>[35:9]</sub> remains unaltered.                      |
| H                         | L                         | H                         | H                         | L-H | -                     | During the data portion of a write sequence, only the byte (D <sub>[17:9]</sub> ) is written into the device. D <sub>[8:0]</sub> and D <sub>[35:18]</sub> remains unaltered.   |
| H                         | L                         | H                         | H                         | -   | L-H                   | During the data portion of a write sequence, only the byte (D <sub>[17:9]</sub> ) is written into the device. D <sub>[8:0]</sub> and D <sub>[35:18]</sub> remains unaltered.   |
| H                         | H                         | L                         | H                         | L-H | -                     | During the data portion of a write sequence, only the byte (D <sub>[26:18]</sub> ) is written into the device. D <sub>[17:0]</sub> and D <sub>[35:27]</sub> remains unaltered. |
| H                         | H                         | L                         | H                         | -   | L-H                   | During the data portion of a write sequence, only the byte (D <sub>[26:18]</sub> ) is written into the device. D <sub>[17:0]</sub> and D <sub>[35:27]</sub> remains unaltered. |
| H                         | H                         | H                         | L                         | L-H | -                     | During the data portion of a write sequence, only the byte (D <sub>[35:27]</sub> ) is written into the device. D <sub>[26:0]</sub> remains unaltered.                          |
| H                         | H                         | H                         | L                         | -   | L-H                   | During the data portion of a write sequence, only the byte (D <sub>[35:27]</sub> ) is written into the device. D <sub>[26:0]</sub> remains unaltered.                          |
| H                         | H                         | H                         | H                         | L-H | -                     | No data is written into the device during this portion of a write operation.                                                                                                   |
| H                         | H                         | H                         | H                         | -   | L-H                   | No data is written into the device during this portion of a write operation.                                                                                                   |

### Notes

10. X = "Don't Care," H = Logic HIGH, L = Logic LOW, ↑ represents rising edge.

11. Is based on a write cycle that was initiated in accordance with the Truth Table on page 9.  $\overline{\text{BWS}}_0$ ,  $\overline{\text{BWS}}_1$ ,  $\overline{\text{BWS}}_2$ , and  $\overline{\text{BWS}}_3$  can be altered on different portions of a write cycle, as long as the setup and hold requirements are achieved.

## IEEE 1149.1 Serial Boundary Scan (JTAG)

These SRAMs incorporate a serial boundary scan test access port (TAP) in the FBGA package. This part is fully compliant with IEEE Standard #1149.1-2001. The TAP operates using JEDEC standard 1.8 V IO logic levels.

### Disabling the JTAG Feature

It is possible to operate the SRAM without using the JTAG feature. To disable the TAP controller, TCK must be tied LOW ( $V_{SS}$ ) to prevent clocking of the device. TDI and TMS are internally pulled up and may be unconnected. They may alternatively be connected to  $V_{DD}$  through a pull-up resistor. TDO must be left unconnected. Upon power up, the device comes up in a reset state, which does not interfere with the operation of the device.

### Test Access Port

#### Test Clock

The test clock is used only with the TAP controller. All inputs are captured on the rising edge of TCK. All outputs are driven from the falling edge of TCK.

#### Test Mode Select (TMS)

The TMS input is used to give commands to the TAP controller and is sampled on the rising edge of TCK. This pin may be left unconnected if the TAP is not used. The pin is pulled up internally, resulting in a logic HIGH level.

#### Test Data-In (TDI)

The TDI pin is used to serially input information into the registers and can be connected to the input of any of the registers. The register between TDI and TDO is chosen by the instruction that is loaded into the TAP instruction register. For information about loading the instruction register, see the [TAP Controller State Diagram on page 14](#). TDI is internally pulled up and can be unconnected if the TAP is unused in an application. TDI is connected to the most significant bit (MSB) on any register.

#### Test Data-Out (TDO)

The TDO output pin is used to serially clock data out from the registers. The output is active, depending upon the current state of the TAP state machine (see [Instruction Codes on page 18](#)). The output changes on the falling edge of TCK. TDO is connected to the least significant bit (LSB) of any register.

### Performing a TAP Reset

A Reset is performed by forcing TMS HIGH ( $V_{DD}$ ) for five rising edges of TCK. This Reset does not affect the operation of the SRAM and is performed when the SRAM is operating. At power up, the TAP is reset internally to ensure that TDO comes up in a high Z state.

### TAP Registers

Registers are connected between the TDI and TDO pins to scan the data in and out of the SRAM test circuitry. Only one register can be selected at a time through the instruction registers. Data is serially loaded into the TDI pin on the rising edge of TCK. Data is output on the TDO pin on the falling edge of TCK.

#### Instruction Register

Three-bit instructions are serially loaded into the instruction register. This register is loaded when it is placed between the TDI and TDO pins, as shown in [TAP Controller Block Diagram on page 15](#). Upon power-up, the instruction register is loaded with the IDCODE instruction. It is also loaded with the IDCODE instruction if the controller is placed in a reset state, as described in the previous section.

When the TAP controller is in the Capture-IR state, the two least significant bits are loaded with a binary "01" pattern to allow for fault isolation of the board level serial test path.

#### Bypass Register

To save time when serially shifting data through registers, it is sometimes advantageous to skip certain chips. The bypass register is a single-bit register that can be placed between TDI and TDO pins. This enables shifting of data through the SRAM with minimal delay. The bypass register is set LOW ( $V_{SS}$ ) when the BYPASS instruction is executed.

#### Boundary Scan Register

The boundary scan register is connected to all the input and output pins on the SRAM. Several No Connect (NC) pins are also included in the scan register to reserve pins for higher density devices.

The boundary scan register is loaded with the contents of the RAM input and output ring when the TAP controller is in the Capture-DR state and is then placed between the TDI and TDO pins when the controller is moved to the Shift-DR state. The EXTEST, SAMPLE/PRELOAD, and SAMPLE Z instructions are used to capture the contents of the input and output ring.

The [Boundary Scan Order on page 19](#) shows the order in which the bits are connected. Each bit corresponds to one of the bumps on the SRAM package. The MSB of the register is connected to TDI, and the LSB is connected to TDO.

#### Identification (ID) Register

The ID register is loaded with a vendor-specific, 32-bit code during the Capture-DR state when the IDCODE command is loaded in the instruction register. The IDCODE is hardwired into the SRAM and is shifted out when the TAP controller is in the Shift-DR state. The ID register has a vendor code and other information described in [Identification Register Definitions on page 18](#).

### TAP Instruction Set

Eight different instructions are possible with the three-bit instruction register. All combinations are listed in [Instruction Codes on page 18](#). Three of these instructions are listed as RESERVED and must not be used. The other five instructions are described in this section in detail.

Instructions are loaded into the TAP controller during the Shift-IR state when the instruction register is placed between TDI and TDO. During this state, instructions are shifted through the instruction register through the TDI and TDO pins. To execute the instruction after it is shifted in, the TAP controller must be moved into the Update-IR state.

### *IDCODE*

The IDCODE instruction loads a vendor-specific, 32-bit code into the instruction register. It also places the instruction register between the TDI and TDO pins and shifts the IDCODE out of the device when the TAP controller enters the Shift-DR state. The IDCODE instruction is loaded into the instruction register at power up or whenever the TAP controller is supplied a Test-Logic-Reset state.

### *SAMPLE Z*

The SAMPLE Z instruction connects the boundary scan register between the TDI and TDO pins when the TAP controller is in a Shift-DR state. The SAMPLE Z command puts the output bus into a high Z state until the next command is supplied during the Update IR state.

### *SAMPLE/PRELOAD*

SAMPLE/PRELOAD is a 1149.1 mandatory instruction. When the SAMPLE/PRELOAD instructions are loaded into the instruction register and the TAP controller is in the Capture-DR state, a snapshot of data on the input and output pins is captured in the boundary scan register.

The TAP controller clock can only operate at a frequency up to 20 MHz, while the SRAM clock operates more than an order of magnitude faster. Because there is a large difference in the clock frequencies, it is possible that during the Capture-DR state, an input or output undergoes a transition. The TAP may then try to capture a signal while in transition (metastable state). This does not harm the device, but there is no guarantee as to the value that is captured. Repeatable results may not be possible.

To guarantee that the boundary scan register captures the correct value of a signal, the SRAM signal must be stabilized long enough to meet the TAP controller's capture setup plus hold times ( $t_{CS}$  and  $t_{CH}$ ). The SRAM clock input might not be captured correctly if there is no way in a design to stop (or slow) the clock during a SAMPLE/PRELOAD instruction. If this is an issue, it is still possible to capture all other signals and simply ignore the value of the CK and CK captured in the boundary scan register.

After the data is captured, it is possible to shift out the data by putting the TAP into the Shift-DR state. This places the boundary scan register between the TDI and TDO pins.

PRELOAD places an initial data pattern at the latched parallel outputs of the boundary scan register cells before the selection of another boundary scan test operation.

The shifting of data for the SAMPLE and PRELOAD phases can occur concurrently when required, that is, while the data captured is shifted out, the preloaded data can be shifted in.

### *BYPASS*

When the BYPASS instruction is loaded in the instruction register and the TAP is placed in a Shift-DR state, the bypass register is placed between the TDI and TDO pins. The advantage of the BYPASS instruction is that it shortens the boundary scan path when multiple devices are connected together on a board.

### *EXTEST*

The EXTEST instruction drives the preloaded data out through the system output pins. This instruction also connects the boundary scan register for serial access between the TDI and TDO in the Shift-DR controller state.

### *EXTEST OUTPUT BUS TRISTATE*

IEEE Standard 1149.1 mandates that the TAP controller be able to put the output bus into a tristate mode.

The boundary scan register has a special bit located at bit #108. When this scan cell, called the "extest output bus tristate," is latched into the preload register during the Update-DR state in the TAP controller, it directly controls the state of the output (Q-bus) pins, when the EXTEST is entered as the current instruction. When HIGH, it enables the output buffers to drive the output bus. When LOW, this bit places the output bus into a high Z condition.

This bit is set by entering the SAMPLE/PRELOAD or EXTEST command, and then shifting the desired bit into that cell, during the Shift-DR state. During Update-DR, the value loaded into that shift-register cell latches into the preload register. When the EXTEST instruction is entered, this bit directly controls the output Q-bus pins. Note that this bit is preset HIGH to enable the output when the device is powered up, and also when the TAP controller is in the Test-Logic-Reset state.

### *Reserved*

These instructions are not implemented but are reserved for future use. Do not use these instructions.

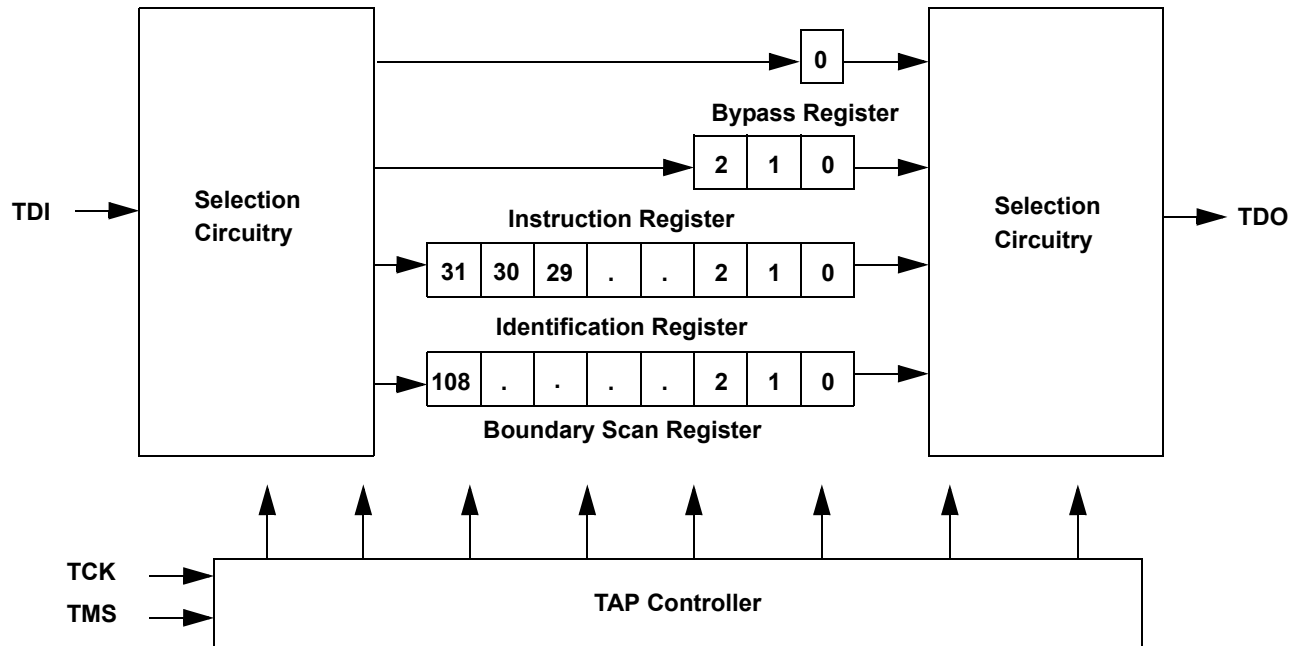
## TAP Controller State Diagram

The state diagram for the TAP controller follows. <sup>[12]</sup>



**Note**  
 12. The 0/1 next to each state represents the value at TMS at the rising edge of TCK.

## TAP Controller Block Diagram



## TAP Electrical Characteristics

Over the Operating Range

| Parameter [13, 14, 15] | Description                   | Test Conditions                      | Min                  | Max                  | Unit          |
|------------------------|-------------------------------|--------------------------------------|----------------------|----------------------|---------------|
| $V_{OH1}$              | Output HIGH voltage           | $I_{OH} = -2.0 \text{ mA}$           | 1.4                  | –                    | V             |
| $V_{OH2}$              | Output HIGH voltage           | $I_{OH} = -100 \text{ } \mu\text{A}$ | 1.6                  | –                    | V             |
| $V_{OL1}$              | Output LOW voltage            | $I_{OL} = 2.0 \text{ mA}$            | –                    | 0.4                  | V             |
| $V_{OL2}$              | Output LOW voltage            | $I_{OL} = 100 \text{ } \mu\text{A}$  | –                    | 0.2                  | V             |
| $V_{IH}$               | Input HIGH voltage            |                                      | $0.65 \times V_{DD}$ | $V_{DD} + 0.3$       | V             |
| $V_{IL}$               | Input LOW voltage             |                                      | –0.3                 | $0.35 \times V_{DD}$ | V             |
| $I_X$                  | Input and output load current | $GND \leq V_I \leq V_{DD}$           | –5                   | 5                    | $\mu\text{A}$ |

### Notes

13. These characteristics pertain to the TAP inputs (TMS, TCK, TDI and TDO). Parallel load levels are specified in the [Electrical Characteristics on page 21](#).

14. Overshoot:  $V_{IH(AC)} < V_{DDQ} + 0.85 \text{ V}$  (Pulse width less than  $t_{CYC/2}$ ), Undershoot:  $V_{IL(AC)} > -1.5 \text{ V}$  (Pulse width less than  $t_{CYC/2}$ ).

15. All voltage referenced to ground.

## TAP AC Switching Characteristics

Over the Operating Range

| Parameter <sup>[16, 17]</sup> | Description                   | Min | Max | Unit |
|-------------------------------|-------------------------------|-----|-----|------|
| $t_{TCYC}$                    | TCK clock cycle time          | 50  | –   | ns   |
| $t_{TF}$                      | TCK clock frequency           | –   | 20  | MHz  |
| $t_{TH}$                      | TCK clock HIGH                | 20  | –   | ns   |
| $t_{TL}$                      | TCK clock LOW                 | 20  | –   | ns   |
| <b>Setup Times</b>            |                               |     |     |      |
| $t_{TMSS}$                    | TMS setup to TCK clock rise   | 5   | –   | ns   |
| $t_{TDIS}$                    | TDI setup to TCK clock rise   | 5   | –   | ns   |
| $t_{CS}$                      | Capture setup to TCK rise     | 5   | –   | ns   |
| <b>Hold Times</b>             |                               |     |     |      |
| $t_{TMSh}$                    | TMS hold after TCK clock rise | 5   | –   | ns   |
| $t_{TDIH}$                    | TDI hold after clock rise     | 5   | –   | ns   |
| $t_{CH}$                      | Capture hold after clock rise | 5   | –   | ns   |
| <b>Output Times</b>           |                               |     |     |      |
| $t_{TDOV}$                    | TCK clock LOW to TDO valid    | –   | 10  | ns   |
| $t_{TDOX}$                    | TCK clock LOW to TDO invalid  | 0   | –   | ns   |

### Notes

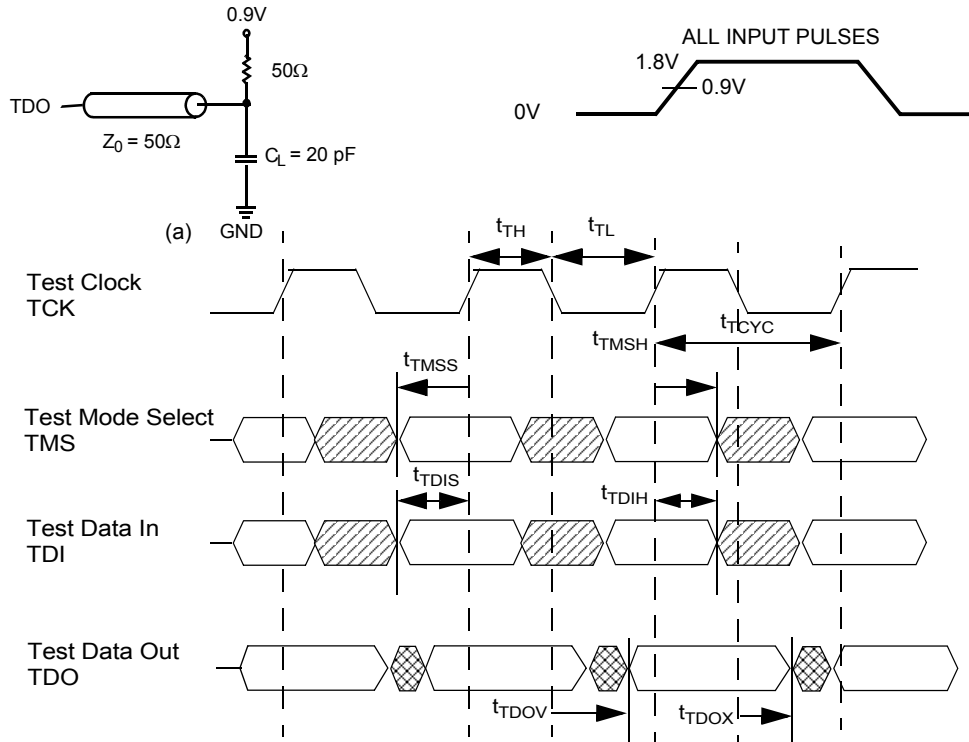
16.  $t_{CS}$  and  $t_{CH}$  refer to the setup and hold time requirements of latching data from the boundary scan register.  
 17. Test conditions are specified using the load in TAP AC Test Conditions.  $t_R/t_F = 1$  ns.



### TAP Timing and Test Conditions

Figure 3 shows the TAP timing and test conditions. [18]

Figure 3. TAP Timing and Test Conditions



**Note**  
 18. Test conditions are specified using the load in TAP AC Test Conditions.  $t_R/t_F = 1$  ns.

## Identification Register Definitions

| Instruction Field         | Value             |                   | Description                                  |
|---------------------------|-------------------|-------------------|----------------------------------------------|
|                           | CY7C1418KV18      | CY7C1420KV18      |                                              |
| Revision number (31:29)   | 000               | 000               | Version number.                              |
| Cypress device ID (28:12) | 11010100010010111 | 11010100010100111 | Defines the type of SRAM.                    |
| Cypress JEDEC ID (11:1)   | 00000110100       | 00000110100       | Allows unique identification of SRAM vendor. |
| ID register presence (0)  | 1                 | 1                 | Indicates the presence of an ID register.    |

## Scan Register Sizes

| Register Name | Bit Size |
|---------------|----------|
| Instruction   | 3        |
| Bypass        | 1        |
| ID            | 32       |
| Boundary scan | 109      |

## Instruction Codes

| Instruction    | Code | Description                                                                                                                                      |
|----------------|------|--------------------------------------------------------------------------------------------------------------------------------------------------|
| EXTEST         | 000  | Captures the input and output ring contents.                                                                                                     |
| IDCODE         | 001  | Loads the ID register with the vendor ID code and places the register between TDI and TDO. This operation does not affect SRAM operation.        |
| SAMPLE Z       | 010  | Captures the input and output contents. Places the boundary scan register between TDI and TDO. Forces all SRAM output drivers to a high Z state. |
| RESERVED       | 011  | Do Not Use: This instruction is reserved for future use.                                                                                         |
| SAMPLE/PRELOAD | 100  | Captures the input and output ring contents. Places the boundary scan register between TDI and TDO. Does not affect the SRAM operation.          |
| RESERVED       | 101  | Do Not Use: This instruction is reserved for future use.                                                                                         |
| RESERVED       | 110  | Do Not Use: This instruction is reserved for future use.                                                                                         |
| BYPASS         | 111  | Places the bypass register between TDI and TDO. This operation does not affect SRAM operation.                                                   |

**Boundary Scan Order**

| Bit # | Bump ID |
|-------|---------|
| 0     | 6R      |
| 1     | 6P      |
| 2     | 6N      |
| 3     | 7P      |
| 4     | 7N      |
| 5     | 7R      |
| 6     | 8R      |
| 7     | 8P      |
| 8     | 9R      |
| 9     | 11P     |
| 10    | 10P     |
| 11    | 10N     |
| 12    | 9P      |
| 13    | 10M     |
| 14    | 11N     |
| 15    | 9M      |
| 16    | 9N      |
| 17    | 11L     |
| 18    | 11M     |
| 19    | 9L      |
| 20    | 10L     |
| 21    | 11K     |
| 22    | 10K     |
| 23    | 9J      |
| 24    | 9K      |
| 25    | 10J     |
| 26    | 11J     |
| 27    | 11H     |

| Bit # | Bump ID |
|-------|---------|
| 28    | 10G     |
| 29    | 9G      |
| 30    | 11F     |
| 31    | 11G     |
| 32    | 9F      |
| 33    | 10F     |
| 34    | 11E     |
| 35    | 10E     |
| 36    | 10D     |
| 37    | 9E      |
| 38    | 10C     |
| 39    | 11D     |
| 40    | 9C      |
| 41    | 9D      |
| 42    | 11B     |
| 43    | 11C     |
| 44    | 9B      |
| 45    | 10B     |
| 46    | 11A     |
| 47    | 10A     |
| 48    | 9A      |
| 49    | 8B      |
| 50    | 7C      |
| 51    | 6C      |
| 52    | 8A      |
| 53    | 7A      |
| 54    | 7B      |
| 55    | 6B      |

| Bit # | Bump ID |
|-------|---------|
| 56    | 6A      |
| 57    | 5B      |
| 58    | 5A      |
| 59    | 4A      |
| 60    | 5C      |
| 61    | 4B      |
| 62    | 3A      |
| 63    | 2A      |
| 64    | 1A      |
| 65    | 2B      |
| 66    | 3B      |
| 67    | 1C      |
| 68    | 1B      |
| 69    | 3D      |
| 70    | 3C      |
| 71    | 1D      |
| 72    | 2C      |
| 73    | 3E      |
| 74    | 2D      |
| 75    | 2E      |
| 76    | 1E      |
| 77    | 2F      |
| 78    | 3F      |
| 79    | 1G      |
| 80    | 1F      |
| 81    | 3G      |
| 82    | 2G      |
| 83    | 1H      |

| Bit # | Bump ID  |
|-------|----------|
| 84    | 1J       |
| 85    | 2J       |
| 86    | 3K       |
| 87    | 3J       |
| 88    | 2K       |
| 89    | 1K       |
| 90    | 2L       |
| 91    | 3L       |
| 92    | 1M       |
| 93    | 1L       |
| 94    | 3N       |
| 95    | 3M       |
| 96    | 1N       |
| 97    | 2M       |
| 98    | 3P       |
| 99    | 2N       |
| 100   | 2P       |
| 101   | 1P       |
| 102   | 3R       |
| 103   | 4R       |
| 104   | 4P       |
| 105   | 5P       |
| 106   | 5N       |
| 107   | 5R       |
| 108   | Internal |

### Power Up Sequence in DDR II SRAM

DDR II SRAMs must be powered up and initialized in a predefined manner to prevent undefined operations.

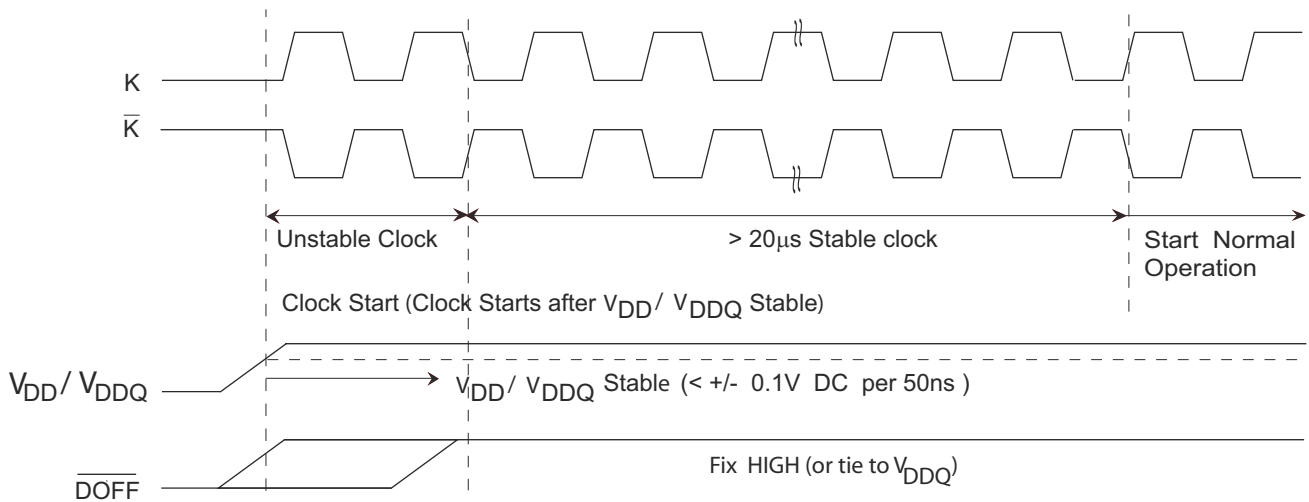
#### Power Up Sequence

- Apply power and drive  $\overline{\text{DOFF}}$  either HIGH or LOW (All other inputs can be HIGH or LOW).
  - Apply  $V_{\text{DD}}$  before  $V_{\text{DDQ}}$ .
  - Apply  $V_{\text{DDQ}}$  before  $V_{\text{REF}}$  or at the same time as  $V_{\text{REF}}$ .
  - Drive  $\overline{\text{DOFF}}$  HIGH.
- Provide stable  $\overline{\text{DOFF}}$  (HIGH), power and clock (K,  $\overline{\text{K}}$ ) for 20  $\mu\text{s}$  to lock the PLL.

#### PLL Constraints

- PLL uses K clock as its synchronizing input. The input must have low phase jitter, which is specified as  $t_{\text{KC Var}}$ .
- The PLL functions at frequencies down to 120 MHz.
- If the input clock is unstable and the PLL is enabled, then the PLL may lock onto an incorrect frequency, causing unstable SRAM behavior. To avoid this, provide 20  $\mu\text{s}$  of stable clock to relock to the desired clock frequency.

Figure 4. Power Up Waveforms



## Maximum Ratings

Exceeding maximum ratings may impair the useful life of the device. These user guidelines are not tested.

Storage temperature ..... -65 °C to +150 °C

Ambient temperature  
with power applied ..... -55 °C to +125 °C

Supply voltage on  $V_{DD}$  relative to GND ..... -0.5 V to +2.9 V

Supply voltage on  $V_{DDQ}$  relative to GND ..... -0.5 V to + $V_{DD}$

DC applied to outputs in high Z ..... -0.5 V to  $V_{DDQ} + 0.3$  V

DC input voltage<sup>[19]</sup> ..... -0.5 V to  $V_{DD} + 0.3$  V

Current into outputs (LOW) ..... 20 mA

Static discharge voltage  
(MIL-STD-883, M 3015) ..... > 2001 V

Latch-up current ..... > 200 mA

## Operating Range

| Range      | Ambient Temperature ( $T_A$ ) | $V_{DD}$ <sup>[20]</sup> | $V_{DDQ}$ <sup>[20]</sup> |
|------------|-------------------------------|--------------------------|---------------------------|
| Commercial | 0 °C to +70 °C                | 1.8 ± 0.1 V              | 1.4 V to $V_{DD}$         |
| Industrial | -40 °C to +85 °C              |                          |                           |

## Neutron Soft Error Immunity

| Parameter | Description               | Test Conditions | Typ | Max* | Unit    |
|-----------|---------------------------|-----------------|-----|------|---------|
| LSBU      | Logical single-bit upsets | 25 °C           | 197 | 216  | FIT/Mb  |
| LMBU      | Logical multi-bit upsets  | 25 °C           | 0   | 0.01 | FIT/Mb  |
| SEL       | Single event latch-up     | 85 °C           | 0   | 0.1  | FIT/Dev |

\* No LMBU or SEL events occurred during testing; this column represents a statistical  $\chi^2$ , 95% confidence limit calculation. For more details refer to Application Note AN54908 "Accelerated Neutron SER Testing and Calculation of Terrestrial Failure Rates".

## Electrical Characteristics

Over the Operating Range

### DC Electrical Characteristics

Over the Operating Range

| Parameter <sup>[21]</sup> | Description                             | Test Conditions                               | Min                | Typ  | Max                | Unit    |
|---------------------------|-----------------------------------------|-----------------------------------------------|--------------------|------|--------------------|---------|
| $V_{DD}$                  | Power supply voltage                    |                                               | 1.7                | 1.8  | 1.9                | V       |
| $V_{DDQ}$                 | IO supply voltage                       |                                               | 1.4                | 1.5  | $V_{DD}$           | V       |
| $V_{OH}$                  | Output HIGH voltage                     | Note 22                                       | $V_{DDQ}/2 - 0.12$ | –    | $V_{DDQ}/2 + 0.12$ | V       |
| $V_{OL}$                  | Output LOW voltage                      | Note 23                                       | $V_{DDQ}/2 - 0.12$ | –    | $V_{DDQ}/2 + 0.12$ | V       |
| $V_{OH(LOW)}$             | Output HIGH voltage                     | $I_{OH} = -0.1$ mA, nominal impedance         | $V_{DDQ} - 0.2$    | –    | $V_{DDQ}$          | V       |
| $V_{OL(LOW)}$             | Output LOW voltage                      | $I_{OL} = 0.1$ mA, nominal impedance          | $V_{SS}$           | –    | 0.2                | V       |
| $V_{IH}$                  | Input HIGH voltage                      |                                               | $V_{REF} + 0.1$    | –    | $V_{DDQ} + 0.3$    | V       |
| $V_{IL}$                  | Input LOW voltage                       |                                               | -0.3               | –    | $V_{REF} - 0.1$    | V       |
| $I_X$                     | Input leakage current                   | $GND \leq V_I \leq V_{DDQ}$                   | -5                 | –    | 5                  | $\mu$ A |
| $I_{OZ}$                  | Output leakage current                  | $GND \leq V_I \leq V_{DDQ}$ , output disabled | -5                 | –    | 5                  | $\mu$ A |
| $V_{REF}$                 | Input reference voltage <sup>[24]</sup> | Typical value = 0.75 V                        | 0.68               | 0.75 | 0.95               | V       |

### Notes

19. Overshoot:  $V_{IH(AC)} < V_{DDQ} + 0.85$  V (Pulse width less than  $t_{CYC}/2$ ). Undershoot:  $V_{IL(AC)} > -1.5$  V (Pulse width less than  $t_{CYC}/2$ ).

20. Power-up: assumes a linear ramp from 0 V to  $V_{DD(min)}$  within 200 ms. During this time  $V_{IH} < V_{DD}$  and  $V_{DDQ} \leq V_{DD}$ .

21. All voltage referenced to ground.

22. Outputs are impedance controlled.  $I_{OH} = -(V_{DDQ}/2)/(RQ/5)$  for values of  $175 \Omega \leq RQ \leq 350 \Omega$ .

23. Outputs are impedance controlled.  $I_{OL} = (V_{DDQ}/2)/(RQ/5)$  for values of  $175 \Omega \leq RQ \leq 350 \Omega$ .

24.  $V_{REF(min)} = 0.68$  V or  $0.46 V_{DDQ}$ , whichever is larger,  $V_{REF(max)} = 0.95$  V or  $0.54 V_{DDQ}$ , whichever is smaller.

**Electrical Characteristics** *(continued)*

Over the Operating Range

**DC Electrical Characteristics** *(continued)*

Over the Operating Range

| Parameter <sup>[21]</sup> | Description                  | Test Conditions                                                                                                                            | Min     | Typ    | Max | Unit |     |    |
|---------------------------|------------------------------|--------------------------------------------------------------------------------------------------------------------------------------------|---------|--------|-----|------|-----|----|
| $I_{DD}^{[25]}$           | $V_{DD}$ operating supply    | $V_{DD} = \text{Max}$ , $I_{OUT} = 0 \text{ mA}$ ,<br>$f = f_{MAX} = 1/t_{CYC}$                                                            | 333 MHz | (x 18) | –   | –    | 490 | mA |
|                           |                              |                                                                                                                                            |         | (x 36) | –   | –    | 600 |    |
|                           |                              |                                                                                                                                            | 300 MHz | (x 18) | –   | –    | 460 | mA |
|                           |                              |                                                                                                                                            |         | (x 36) | –   | –    | 560 |    |
|                           |                              |                                                                                                                                            | 250 MHz | (x 18) | –   | –    | 430 | mA |
|                           |                              |                                                                                                                                            |         | (x 36) | –   | –    | 490 |    |
| $I_{SB1}$                 | Automatic power-down current | Max $V_{DD}$ ,<br>both ports deselected,<br>$V_{IN} \geq V_{IH}$ or $V_{IN} \leq V_{IL}$ ,<br>$f = f_{MAX} = 1/t_{CYC}$ ,<br>inputs static | 333 MHz | (x 18) | –   | –    | 280 | mA |
|                           |                              |                                                                                                                                            |         | (x 36) | –   | –    | 280 |    |
|                           |                              |                                                                                                                                            | 300 MHz | (x 18) | –   | –    | 270 | mA |
|                           |                              |                                                                                                                                            |         | (x 36) | –   | –    | 270 |    |
|                           |                              |                                                                                                                                            | 250 MHz | (x 18) | –   | –    | 260 | mA |
|                           |                              |                                                                                                                                            |         | (x 36) | –   | –    | 260 |    |

**Note**

25. The operation current is calculated with 50% read cycle and 50% write cycle.

## AC Electrical Characteristics

Over the Operating Range

| Parameter <sup>[26]</sup> | Description        | Test Conditions | Min             | Typ | Max             | Unit |
|---------------------------|--------------------|-----------------|-----------------|-----|-----------------|------|
| $V_{IH}$                  | Input HIGH voltage |                 | $V_{REF} + 0.2$ | –   | –               | V    |
| $V_{IL}$                  | Input LOW voltage  |                 | –               | –   | $V_{REF} - 0.2$ | V    |

## Capacitance

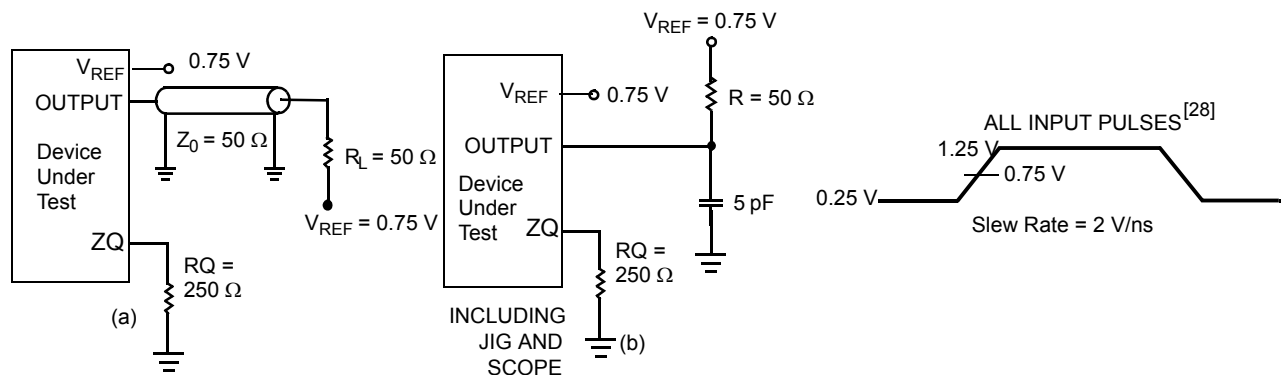
| Parameter <sup>[27]</sup> | Description        | Test Conditions                                                                                            | Max | Unit |
|---------------------------|--------------------|------------------------------------------------------------------------------------------------------------|-----|------|
| $C_{IN}$                  | Input capacitance  | $T_A = 25\text{ }^\circ\text{C}$ , $f = 1\text{ MHz}$ , $V_{DD} = 1.8\text{ V}$ , $V_{DDQ} = 1.5\text{ V}$ | 4   | pF   |
| $C_O$                     | Output capacitance |                                                                                                            | 4   | pF   |

## Thermal Resistance

| Parameter <sup>[27]</sup> | Description                              | Test Conditions                                                      | 165-ball FBGA Package | Unit               |
|---------------------------|------------------------------------------|----------------------------------------------------------------------|-----------------------|--------------------|
| $\Theta_{JA}$ (0 m/s)     | Thermal resistance (junction to ambient) | Socketed on a 170 × 220 × 2.35 mm, eight-layer printed circuit board | 16.72                 | $^\circ\text{C/W}$ |
| $\Theta_{JA}$ (1 m/s)     |                                          |                                                                      | 15.67                 | $^\circ\text{C/W}$ |
| $\Theta_{JA}$ (3 m/s)     |                                          |                                                                      | 14.92                 | $^\circ\text{C/W}$ |
| $\Theta_{JB}$             | Thermal resistance (junction to board)   |                                                                      | 13.67                 | $^\circ\text{C/W}$ |
| $\Theta_{JC}$             | Thermal resistance (junction to case)    |                                                                      | 4.54                  | $^\circ\text{C/W}$ |

## AC Test Loads and Waveforms

Figure 5. AC Test Loads and Waveforms



### Notes

26. Overshoot:  $V_{IH(AC)} < V_{DDQ} + 0.85\text{ V}$  (Pulse width less than  $t_{CYC}/2$ ), Undershoot:  $V_{IL(AC)} > -1.5\text{ V}$  (Pulse width less than  $t_{CYC}/2$ ).

27. Tested initially and after any design or process change that may affect these parameters.

28. Unless otherwise noted, test conditions assume signal transition time of 2 V/ns, timing reference levels of 0.75 V,  $V_{REF} = 0.75\text{ V}$ ,  $R_Q = 250\ \Omega$ ,  $V_{DDQ} = 1.5\text{ V}$ , input pulse levels of 0.25 V to 1.25 V, and output loading of the specified  $I_{OL}/I_{OH}$  and load capacitance shown in (a) of Figure 5.

## Switching Characteristics

Over the Operating Range

| Parameters [29, 30] |                      | Description                                                                                              | 333 MHz |      | 300 MHz |      | 250 MHz |     | Unit |
|---------------------|----------------------|----------------------------------------------------------------------------------------------------------|---------|------|---------|------|---------|-----|------|
| Cypress Parameter   | Consortium Parameter |                                                                                                          | Min     | Max  | Min     | Max  | Min     | Max |      |
| $t_{POWER}$         |                      | $V_{DD}$ (typical) to the first access <sup>[31]</sup>                                                   | 1       | –    | 1       | –    | 1       | –   | ms   |
| $t_{CYC}$           | $t_{KHKH}$           | K clock and C clock cycle time                                                                           | 3.0     | 8.4  | 3.3     | 8.4  | 4.0     | 8.4 | ns   |
| $t_{KH}$            | $t_{KHKL}$           | Input clock ( $K/\bar{K}$ and $C/\bar{C}$ ) HIGH                                                         | 1.20    | –    | 1.32    | –    | 1.6     | –   | ns   |
| $t_{KL}$            | $t_{KLKH}$           | Input clock ( $K/\bar{K}$ and $C/\bar{C}$ ) LOW                                                          | 1.20    | –    | 1.32    | –    | 1.6     | –   | ns   |
| $t_{KH\bar{K}H}$    | $t_{KH\bar{K}H}$     | K clock rise to $\bar{K}$ clock rise and C to C rise (rising edge to rising edge)                        | 1.35    | –    | 1.49    | –    | 1.8     | –   | ns   |
| $t_{KHCH}$          | $t_{KHCH}$           | $K/\bar{K}$ clock rise to $C/\bar{C}$ clock rise (rising edge to rising edge)                            | 0.0     | 1.30 | 0.0     | 1.45 | 0.0     | 1.8 | ns   |
| <b>Setup Times</b>  |                      |                                                                                                          |         |      |         |      |         |     |      |
| $t_{SA}$            | $t_{AVKH}$           | Address set-up to K clock rise                                                                           | 0.4     | –    | 0.4     | –    | 0.5     | –   | ns   |
| $t_{SC}$            | $t_{IVKH}$           | Control set-up to K clock rise ( $\bar{LD}$ , $R/W$ )                                                    | 0.4     | –    | 0.4     | –    | 0.5     | –   | ns   |
| $t_{SCDDR}$         | $t_{IVKH}$           | Double data rate control set-up to clock ( $K/\bar{K}$ ) rise ( $BWS_0$ , $BWS_1$ , $BWS_2$ , $BWS_3$ )  | 0.3     | –    | 0.3     | –    | 0.35    | –   | ns   |
| $t_{SD}$            | $t_{DVKH}$           | $D_{[X:0]}$ set-up to clock ( $K/\bar{K}$ ) rise                                                         | 0.3     | –    | 0.3     | –    | 0.35    | –   | ns   |
| <b>Hold Times</b>   |                      |                                                                                                          |         |      |         |      |         |     |      |
| $t_{HA}$            | $t_{KHAX}$           | Address hold after K clock rise                                                                          | 0.4     | –    | 0.4     | –    | 0.5     | –   | ns   |
| $t_{HC}$            | $t_{KHIX}$           | Control hold after K clock rise ( $\bar{LD}$ , $R/W$ )                                                   | 0.4     | –    | 0.4     | –    | 0.5     | –   | ns   |
| $t_{HCDDR}$         | $t_{KHIX}$           | Double data rate control hold after clock ( $K/\bar{K}$ ) rise ( $BWS_0$ , $BWS_1$ , $BWS_2$ , $BWS_3$ ) | 0.3     | –    | 0.3     | –    | 0.35    | –   | ns   |
| $t_{HD}$            | $t_{KHDX}$           | $D_{[X:0]}$ hold after clock ( $K/\bar{K}$ ) rise                                                        | 0.3     | –    | 0.3     | –    | 0.35    | –   | ns   |

### Notes

29. Unless otherwise noted, test conditions assume signal transition time of 2 V/ns, timing reference levels of 0.75 V,  $V_{REF} = 0.75$  V,  $R_Q = 250$   $\Omega$ ,  $V_{DDQ} = 1.5$  V, input pulse levels of 0.25 V to 1.25 V, and output loading of the specified  $I_{OL}/I_{OH}$  and load capacitance shown in (a) of Figure 5 on page 23.

30. When a part with a maximum frequency above 167 MHz is operating at a lower clock frequency, it requires the input timings of the frequency range in which it is operated and outputs data with the output timings of that frequency range.

31. This part has an internal voltage regulator;  $t_{POWER}$  is the time that the power is supplied above  $V_{DD(min)}$  initially before a read or write operation can be initiated.



**Switching Characteristics** *(continued)*

Over the Operating Range

| Parameters <sup>[29, 30]</sup> |                         | Description                                                                              | 333 MHz |      | 300 MHz |      | 250 MHz |      | Unit    |
|--------------------------------|-------------------------|------------------------------------------------------------------------------------------|---------|------|---------|------|---------|------|---------|
| Cypress Parameter              | Consortium Parameter    |                                                                                          | Min     | Max  | Min     | Max  | Min     | Max  |         |
| <b>Output Times</b>            |                         |                                                                                          |         |      |         |      |         |      |         |
| $t_{CO}$                       | $t_{CHQV}$              | C/ $\overline{C}$ clock rise (or K/ $\overline{K}$ in single clock mode) to data valid   | –       | 0.45 | –       | 0.45 | –       | 0.45 | ns      |
| $t_{DOH}$                      | $t_{CHQX}$              | Data output hold after output C/ $\overline{C}$ clock rise (active to active)            | –0.45   | –    | –0.45   | –    | –0.45   | –    | ns      |
| $t_{CCQO}$                     | $t_{CHCQV}$             | C/ $\overline{C}$ clock rise to echo clock valid                                         | –       | 0.45 | –       | 0.45 | –       | 0.45 | ns      |
| $t_{CQOH}$                     | $t_{CHCQX}$             | Echo clock hold after C/ $\overline{C}$ clock rise                                       | –0.45   | –    | –0.45   | –    | –0.45   | –    | ns      |
| $t_{CQD}$                      | $t_{CQHQV}$             | Echo clock high to data valid                                                            | –       | 0.25 | –       | 0.27 | –       | 0.30 | ns      |
| $t_{CQDOH}$                    | $t_{CQHQX}$             | Echo clock high to data invalid                                                          | –0.25   | –    | –0.27   | –    | –0.30   | –    | ns      |
| $t_{CQH}$                      | $t_{CQHCQL}$            | Output clock (CQ/ $\overline{CQ}$ ) HIGH <sup>[32]</sup>                                 | 1.25    | –    | 1.40    | –    | 1.75    | –    | ns      |
| $t_{CQH\overline{CQH}}$        | $t_{CQH\overline{CQH}}$ | CQ clock rise to $\overline{CQ}$ clock rise (rising edge to rising edge) <sup>[32]</sup> | 1.25    | –    | 1.40    | –    | 1.75    | –    | ns      |
| $t_{CHZ}$                      | $t_{CHQZ}$              | Clock (C/ $\overline{C}$ ) rise to high Z (active to high Z) <sup>[33, 34]</sup>         | –       | 0.45 | –       | 0.45 | –       | 0.45 | ns      |
| $t_{CLZ}$                      | $t_{CHQX1}$             | Clock (C/ $\overline{C}$ ) rise to low Z <sup>[33, 34]</sup>                             | –0.45   | –    | –0.45   | –    | –0.45   | –    | ns      |
| <b>PLL Timing</b>              |                         |                                                                                          |         |      |         |      |         |      |         |
| $t_{KC\ Var}$                  | $t_{KC\ Var}$           | Clock phase jitter                                                                       | –       | 0.20 | –       | 0.20 | –       | 0.20 | ns      |
| $t_{KC\ lock}$                 | $t_{KC\ lock}$          | PLL lock time (K, C) <sup>[35]</sup>                                                     | 20      | –    | 20      | –    | 20      | –    | $\mu$ s |
| $t_{KC\ Reset}$                | $t_{KC\ Reset}$         | K static to PLL reset                                                                    | 30      | –    | 30      | –    | 30      | –    | ns      |

**Notes**

32. These parameters are extrapolated from the input timing parameters ( $t_{CYC}/2 - 250$  ps, where 250 ps is the internal jitter). These parameters are only guaranteed by design and are not tested in production.

33.  $t_{CHZ}$ ,  $t_{CLZ}$  are specified with a load capacitance of 5 pF as in (b) of Figure 5 on page 23. Transition is measured  $\pm 100$  mV from steady-state voltage.

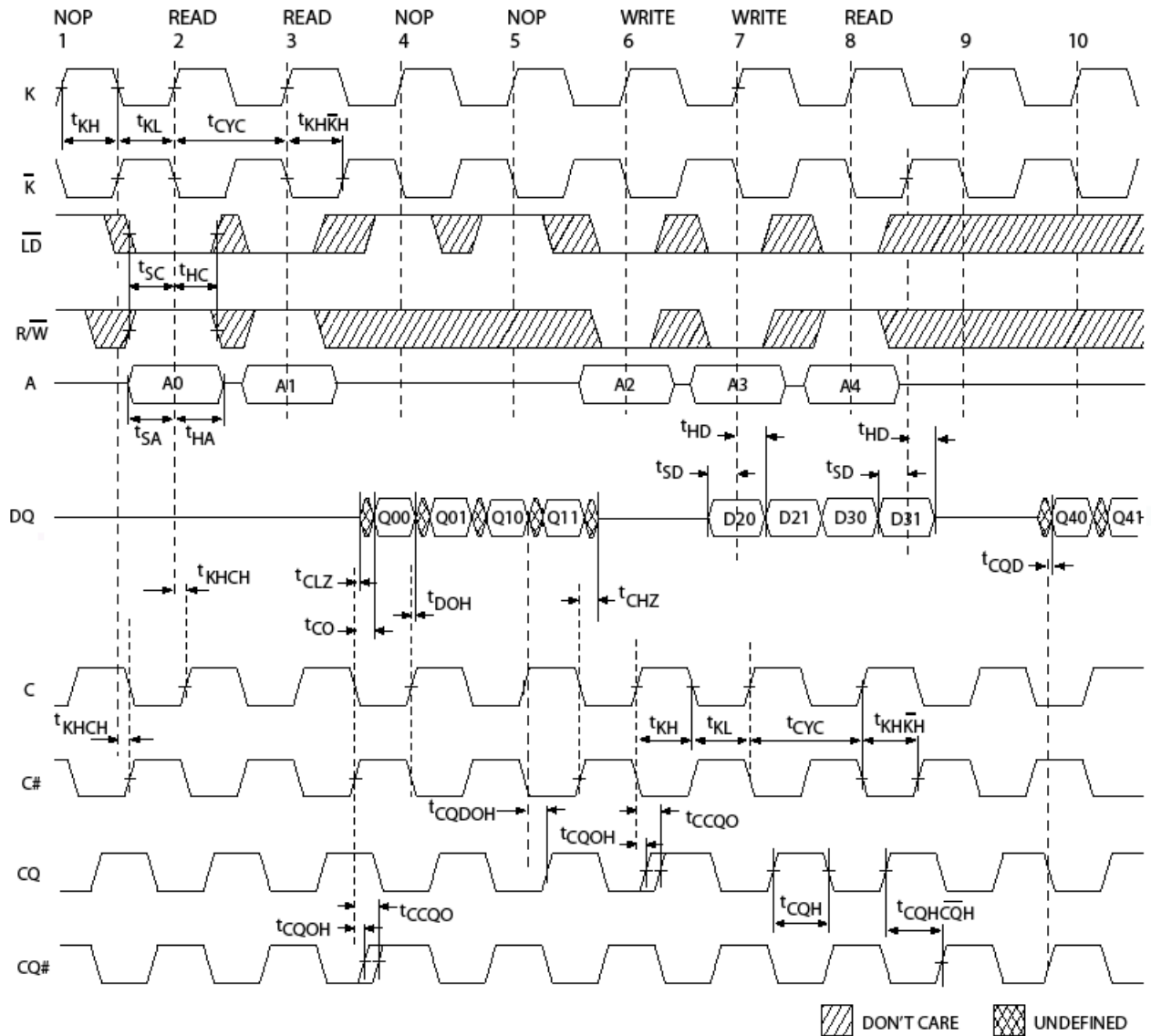
34. At any voltage and temperature  $t_{CHZ}$  is less than  $t_{CLZ}$  and  $t_{CHZ}$  less than  $t_{CO}$ .

35. For frequencies 300 MHz or below, the Cypress QDR II devices surpass the QDR consortium specification for PLL lock time ( $t_{KC\ lock}$ ) of 20  $\mu$ s (min. spec.) and will lock after 1024 clock cycles (min. spec.), after a stable clock is presented, per the previous 90 nm version.

## Switching Waveforms

### Read/Write/Deselect Sequence

Figure 6. Read/Write/Deselect Sequence [36, 37, 38]



#### Notes

36. Q00 refers to output from address A0. Q01 refers to output from the next internal burst address following A0, that is, A0 + 1.

37. Outputs are disabled (high Z) one clock cycle after a NOP.

38. In this example, if address A4 = A3, then data Q40 = D30 and Q41 = D31. Write data is forwarded immediately as read results. This note applies to the whole diagram.

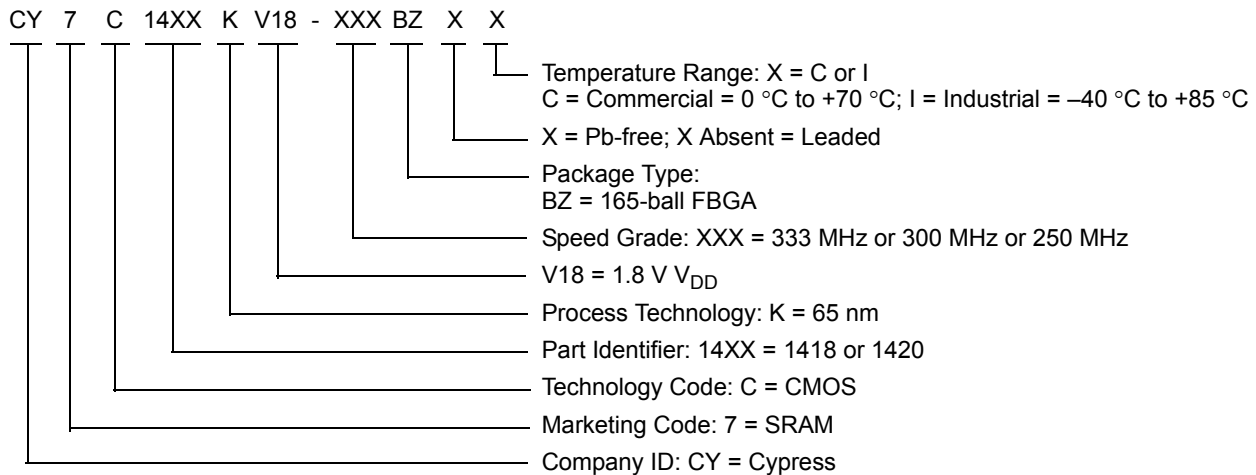
**Ordering Information**

The following table contains only the parts that are currently available. If you do not see what you are looking for, contact your local sales representative. For more information, visit the Cypress website at [www.cypress.com](http://www.cypress.com) and refer to the product summary page at <http://www.cypress.com/products>

Cypress maintains a worldwide network of offices, solution centers, manufacturer’s representatives and distributors. To find the office closest to you, visit us at <http://www.cypress.com/go/datasheet/offices>.

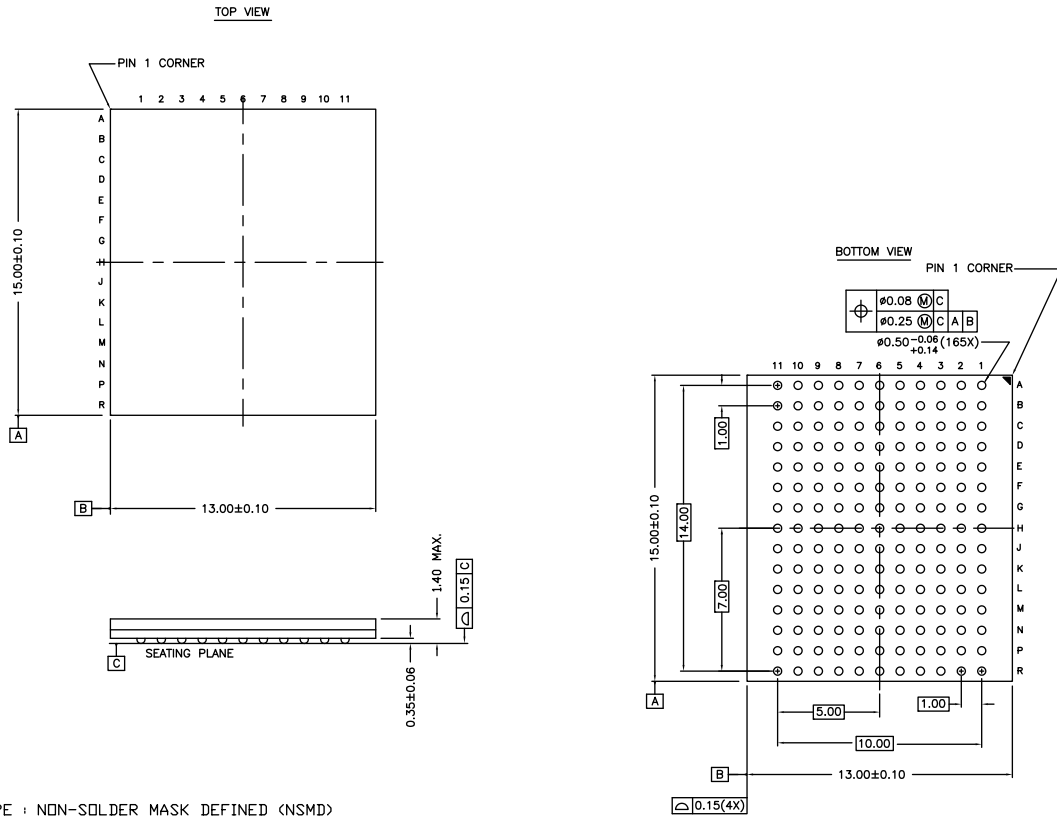
| Speed (MHz)          | Ordering Code        | Package Diagram | Package Type                             | Operating Range |
|----------------------|----------------------|-----------------|------------------------------------------|-----------------|
| 333                  | CY7C1418KV18-333BZC  | 51-85180        | 165-ball FBGA (13 × 15 × 1.4 mm)         | Commercial      |
|                      | CY7C1420KV18-333BZI  |                 |                                          | Industrial      |
|                      | CY7C1420KV18-333BZXI |                 | 165-ball FBGA (13 × 15 × 1.4 mm) Pb-free |                 |
| 300                  | CY7C1418KV18-300BZXC | 51-85180        | 165-ball FBGA (13 × 15 × 1.4 mm) Pb-free | Commercial      |
|                      | CY7C1420KV18-300BZXC |                 |                                          |                 |
| 250                  | CY7C1418KV18-250BZC  | 51-85180        | 165-ball FBGA (13 × 15 × 1.4 mm)         | Commercial      |
|                      | CY7C1420KV18-250BZC  |                 |                                          |                 |
|                      | CY7C1418KV18-250BZXC |                 | 165-ball FBGA (13 × 15 × 1.4 mm) Pb-free |                 |
|                      | CY7C1420KV18-250BZXC |                 |                                          |                 |
|                      | CY7C1418KV18-250BZI  |                 | 165-ball FBGA (13 × 15 × 1.4 mm)         | Industrial      |
|                      | CY7C1418KV18-250BZXI |                 | 165-ball FBGA (13 × 15 × 1.4 mm) Pb-free |                 |
|                      | CY7C1420KV18-250BZXI |                 |                                          |                 |
| CY7C1420KV18-250BZXI |                      |                 |                                          |                 |

**Ordering Code Definitions**



Package Diagram

Figure 7. 165-ball FBGA (13 × 15 × 1.4 mm) BB165D/BW165D (0.5 Ball Diameter) Package Outline, 51-85180



NOTES :

SOLDER PAD TYPE : NON-SOLDER MASK DEFINED (NSMD)

JEDEC REFERENCE : MO-216 / ISSUE E

PACKAGE CODE : BB0AC/BW0AC

PACKAGE WEIGHT : SEE CYPRESS PACKAGE MATERIAL DECLARATION DATASHEET (PMDD) POSTED ON THE CYPRESS WEB.

51-85180 \*G

## Acronyms

| Acronym | Description                                |
|---------|--------------------------------------------|
| DDR     | Double Data Rate                           |
| EIA     | Electronic Industries Alliance             |
| FBGA    | Fine-Pitch Ball Grid Array                 |
| HSTL    | High-Speed Transceiver Logic               |
| I/O     | Input/Output                               |
| JEDEC   | Joint Electron Devices Engineering Council |
| JTAG    | Joint Test Action Group                    |
| LMBU    | Logical Multiple Bit Upset                 |
| LSB     | Least Significant Bit                      |
| LSBU    | Logical Single Bit Upset                   |
| MSB     | Most Significant Bit                       |
| PLL     | Phase Locked Loop                          |
| QDR     | Quad Data Rate                             |
| SEL     | Single Event Latch-up                      |
| SRAM    | Static Random Access Memory                |
| TAP     | Test Access port                           |
| TCK     | Test Clock                                 |
| TDI     | Test Data-In                               |
| TDO     | Test Data-Out                              |
| TMS     | Test Mode Select                           |

## Document Conventions

### Units of Measure

| Symbol | Unit of Measure |
|--------|-----------------|
| °C     | degree Celsius  |
| MHz    | megahertz       |
| μA     | microampere     |
| μs     | microsecond     |
| mA     | milliampere     |
| mm     | millimeter      |
| ms     | millisecond     |
| mV     | millivolt       |
| ns     | nanosecond      |
| Ω      | ohm             |
| %      | percent         |
| pF     | picofarad       |
| ps     | picosecond      |
| V      | volt            |
| W      | watt            |

**Document History Page**

| Document Title: CY7C1418KV18/CY7C1420KV18, 36-Mbit DDR II SRAM Two-Word Burst Architecture |         |                 |                 |                                                                                                                                                                                                                                                                                                                                                                                                                                                                                                                                                                                                                                                                                                                                                                                                                                                                                                                                                                                                                                                                                                                                                                                                                                                                                                                                                                                                                                                                                                                                                                                                                                                          |
|--------------------------------------------------------------------------------------------|---------|-----------------|-----------------|----------------------------------------------------------------------------------------------------------------------------------------------------------------------------------------------------------------------------------------------------------------------------------------------------------------------------------------------------------------------------------------------------------------------------------------------------------------------------------------------------------------------------------------------------------------------------------------------------------------------------------------------------------------------------------------------------------------------------------------------------------------------------------------------------------------------------------------------------------------------------------------------------------------------------------------------------------------------------------------------------------------------------------------------------------------------------------------------------------------------------------------------------------------------------------------------------------------------------------------------------------------------------------------------------------------------------------------------------------------------------------------------------------------------------------------------------------------------------------------------------------------------------------------------------------------------------------------------------------------------------------------------------------|
| Document Number: 001-57827                                                                 |         |                 |                 |                                                                                                                                                                                                                                                                                                                                                                                                                                                                                                                                                                                                                                                                                                                                                                                                                                                                                                                                                                                                                                                                                                                                                                                                                                                                                                                                                                                                                                                                                                                                                                                                                                                          |
| Rev.                                                                                       | ECN No. | Orig. of Change | Submission Date | Description of Change                                                                                                                                                                                                                                                                                                                                                                                                                                                                                                                                                                                                                                                                                                                                                                                                                                                                                                                                                                                                                                                                                                                                                                                                                                                                                                                                                                                                                                                                                                                                                                                                                                    |
| **                                                                                         | 2816620 | VKN / AESA      | 11/27/2009      | New data sheet.                                                                                                                                                                                                                                                                                                                                                                                                                                                                                                                                                                                                                                                                                                                                                                                                                                                                                                                                                                                                                                                                                                                                                                                                                                                                                                                                                                                                                                                                                                                                                                                                                                          |
| *A                                                                                         | 3018546 | NJY             | 10/21/2010      | Changed status from Preliminary to Final.<br>Added <a href="#">Ordering Code Definitions</a> .<br>Updated <a href="#">Package Diagram</a> .<br>Minor edits.<br>Updated to new template.                                                                                                                                                                                                                                                                                                                                                                                                                                                                                                                                                                                                                                                                                                                                                                                                                                                                                                                                                                                                                                                                                                                                                                                                                                                                                                                                                                                                                                                                  |
| *B                                                                                         | 3165654 | NJY             | 02/08/2011      | Updated <a href="#">Switching Characteristics</a> (Added Note 35 and referred the same note in the description of $t_{KC\ lock}$ parameter).<br>Updated <a href="#">Ordering Information</a> (Updated part numbers).<br>Added <a href="#">Acronyms</a> and <a href="#">Units of Measure</a> .                                                                                                                                                                                                                                                                                                                                                                                                                                                                                                                                                                                                                                                                                                                                                                                                                                                                                                                                                                                                                                                                                                                                                                                                                                                                                                                                                            |
| *C                                                                                         | 3439118 | PRIT            | 12/08/2011      | Updated <a href="#">Package Diagram</a> .                                                                                                                                                                                                                                                                                                                                                                                                                                                                                                                                                                                                                                                                                                                                                                                                                                                                                                                                                                                                                                                                                                                                                                                                                                                                                                                                                                                                                                                                                                                                                                                                                |
| *D                                                                                         | 3598158 | PRIT            | 04/24/2012      | Updated <a href="#">Features</a> (Removed CY7C1416KV18, CY7C1427KV18 related information).<br>Updated <a href="#">Configurations</a> (Removed CY7C1416KV18, CY7C1427KV18 related information).<br>Updated <a href="#">Functional Description</a> (Removed CY7C1416KV18, CY7C1427KV18 related information).<br>Updated <a href="#">Selection Guide</a> (Removed 167 MHz and 200 MHz frequencies related information, removed CY7C1416KV18, CY7C1427KV18 related information).<br>Removed Logic Block Diagram – CY7C1416KV18.<br>Removed Logic Block Diagram – CY7C1427KV18.<br>Updated <a href="#">Pin Configurations</a> (Removed CY7C1416KV18, CY7C1427KV18 related information).<br>Updated <a href="#">Pin Definitions</a> (Removed CY7C1416KV18, CY7C1427KV18 related information).<br>Updated <a href="#">Functional Overview</a> (Removed CY7C1416KV18, CY7C1427KV18 related information).<br>Updated <a href="#">Truth Table</a> (Removed CY7C1416KV18, CY7C1427KV18 related information).<br>Updated <a href="#">Write Cycle Descriptions</a> (Removed CY7C1416KV18 related information).<br>Removed Write Cycle Descriptions (Corresponding to CY7C1427KV18).<br>Updated <a href="#">Identification Register Definitions</a> (Removed CY7C1416KV18, CY7C1427KV18 related information).<br>Updated <a href="#">Electrical Characteristics</a> (Updated <a href="#">DC Electrical Characteristics</a> (Removed 167 MHz and 200 MHz frequencies related information, removed CY7C1416KV18, CY7C1427KV18 related information)).<br>Updated <a href="#">Switching Characteristics</a> (Removed 167 MHz and 200 MHz frequencies related information). |
| *E                                                                                         | 3619146 | PRIT            | 05/16/2012      | Updated <a href="#">Thermal Resistance</a> (Changed value of $\Theta_{JA}$ from 13.7 °C/W to 26.65 °C/W, changed value of $\Theta_{JC}$ from 3.73 °C/W to 4.31 °C/W).                                                                                                                                                                                                                                                                                                                                                                                                                                                                                                                                                                                                                                                                                                                                                                                                                                                                                                                                                                                                                                                                                                                                                                                                                                                                                                                                                                                                                                                                                    |
| *F                                                                                         | 3789642 | PRIT            | 10/22/2012      | Updated <a href="#">Package Diagram</a> (spec 51-85180 (Changed revision from *E to *F)).                                                                                                                                                                                                                                                                                                                                                                                                                                                                                                                                                                                                                                                                                                                                                                                                                                                                                                                                                                                                                                                                                                                                                                                                                                                                                                                                                                                                                                                                                                                                                                |
| *G                                                                                         | 4373836 | PRIT            | 05/08/2014      | Updated <a href="#">Application Example</a> :<br>Updated <a href="#">Figure 2</a> .<br>Updated <a href="#">Thermal Resistance</a> :<br>Updated values of $\Theta_{JA}$ parameter.<br>Included $\Theta_{JB}$ parameter and its details.<br>Updated to new template.                                                                                                                                                                                                                                                                                                                                                                                                                                                                                                                                                                                                                                                                                                                                                                                                                                                                                                                                                                                                                                                                                                                                                                                                                                                                                                                                                                                       |

**Document History Page** *(continued)*

| Document Title: CY7C1418KV18/CY7C1420KV18, 36-Mbit DDR II SRAM Two-Word Burst Architecture<br>Document Number: 001-57827 |         |                 |                 |                                                                                                                                                                                                                                  |
|--------------------------------------------------------------------------------------------------------------------------|---------|-----------------|-----------------|----------------------------------------------------------------------------------------------------------------------------------------------------------------------------------------------------------------------------------|
| Rev.                                                                                                                     | ECN No. | Orig. of Change | Submission Date | Description of Change                                                                                                                                                                                                            |
| *H                                                                                                                       | 4567876 | PRIT            | 11/12/2014      | Updated <a href="#">Functional Description</a> :<br>Added "For a complete list of related documentation, click <a href="#">here</a> ." at the end.<br>Updated <a href="#">Ordering Information</a> :<br>Updated part numbers.    |
| *I                                                                                                                       | 4899163 | PRIT            | 10/09/2015      | Updated <a href="#">Ordering Information</a> :<br>Updated part numbers.<br>Updated <a href="#">Package Diagram</a> :<br>spec 51-85180 – Changed revision from *F to *G.<br>Updated to new template.<br>Completing Sunset Review. |
| *J                                                                                                                       | 5129754 | PRIT            | 02/08/2016      | Updated <a href="#">Switching Waveforms</a> :<br>Updated <a href="#">Read/Write/Deselect Sequence</a> :<br>Updated <a href="#">Figure 6</a> .                                                                                    |
| *K                                                                                                                       | 5522985 | PRIT            | 11/16/2016      | Updated <a href="#">Ordering Information</a> :<br>Updated part numbers.<br>Updated to new template.<br>Completing Sunset Review.                                                                                                 |
| *L                                                                                                                       | 6012262 | AESATMP9        | 01/03/2018      | Updated logo and copyright.                                                                                                                                                                                                      |

## Sales, Solutions, and Legal Information

### Worldwide Sales and Design Support

Cypress maintains a worldwide network of offices, solution centers, manufacturer's representatives, and distributors. To find the office closest to you, visit us at [Cypress Locations](#).

#### Products

|                                                       |                                                                    |
|-------------------------------------------------------|--------------------------------------------------------------------|
| Arm <sup>®</sup> Cortex <sup>®</sup> Microcontrollers | <a href="http://cypress.com/arm">cypress.com/arm</a>               |
| Automotive                                            | <a href="http://cypress.com/automotive">cypress.com/automotive</a> |
| Clocks & Buffers                                      | <a href="http://cypress.com/clocks">cypress.com/clocks</a>         |
| Interface                                             | <a href="http://cypress.com/interface">cypress.com/interface</a>   |
| Internet of Things                                    | <a href="http://cypress.com/iot">cypress.com/iot</a>               |
| Memory                                                | <a href="http://cypress.com/memory">cypress.com/memory</a>         |
| Microcontrollers                                      | <a href="http://cypress.com/mcu">cypress.com/mcu</a>               |
| PSoC                                                  | <a href="http://cypress.com/psoc">cypress.com/psoc</a>             |
| Power Management ICs                                  | <a href="http://cypress.com/pmic">cypress.com/pmic</a>             |
| Touch Sensing                                         | <a href="http://cypress.com/touch">cypress.com/touch</a>           |
| USB Controllers                                       | <a href="http://cypress.com/usb">cypress.com/usb</a>               |
| Wireless Connectivity                                 | <a href="http://cypress.com/wireless">cypress.com/wireless</a>     |

#### PSoC<sup>®</sup> Solutions

[PSoC 1](#) | [PSoC 3](#) | [PSoC 4](#) | [PSoC 5LP](#) | [PSoC 6 MCU](#)

#### Cypress Developer Community

[Community](#) | [Projects](#) | [Video](#) | [Blogs](#) | [Training](#) | [Components](#)

#### Technical Support

[cypress.com/support](http://cypress.com/support)

© Cypress Semiconductor Corporation, 2009-2018. This document is the property of Cypress Semiconductor Corporation and its subsidiaries, including Spansion LLC ("Cypress"). This document, including any software or firmware included or referenced in this document ("Software"), is owned by Cypress under the intellectual property laws and treaties of the United States and other countries worldwide. Cypress reserves all rights under such laws and treaties and does not, except as specifically stated in this paragraph, grant any license under its patents, copyrights, trademarks, or other intellectual property rights. If the Software is not accompanied by a license agreement and you do not otherwise have a written agreement with Cypress governing the use of the Software, then Cypress hereby grants you a personal, non-exclusive, nontransferable license (without the right to sublicense) (1) under its copyright rights in the Software (a) for Software provided in source code form, to modify and reproduce the Software solely for use with Cypress hardware products, only internally within your organization, and (b) to distribute the Software in binary code form externally to end users (either directly or indirectly through resellers and distributors), solely for use on Cypress hardware product units, and (2) under those claims of Cypress's patents that are infringed by the Software (as provided by Cypress, unmodified) to make, use, distribute, and import the Software solely for use with Cypress hardware products. Any other use, reproduction, modification, translation, or compilation of the Software is prohibited.

TO THE EXTENT PERMITTED BY APPLICABLE LAW, CYPRESS MAKES NO WARRANTY OF ANY KIND, EXPRESS OR IMPLIED, WITH REGARD TO THIS DOCUMENT OR ANY SOFTWARE OR ACCOMPANYING HARDWARE, INCLUDING, BUT NOT LIMITED TO, THE IMPLIED WARRANTIES OF MERCHANTABILITY AND FITNESS FOR A PARTICULAR PURPOSE. No computing device can be absolutely secure. Therefore, despite security measures implemented in Cypress hardware or software products, Cypress does not assume any liability arising out of any security breach, such as unauthorized access to or use of a Cypress product. In addition, the products described in these materials may contain design defects or errors known as errata which may cause the product to deviate from published specifications. To the extent permitted by applicable law, Cypress reserves the right to make changes to this document without further notice. Cypress does not assume any liability arising out of the application or use of any product or circuit described in this document. Any information provided in this document, including any sample design information or programming code, is provided only for reference purposes. It is the responsibility of the user of this document to properly design, program, and test the functionality and safety of any application made of this information and any resulting product. Cypress products are not designed, intended, or authorized for use as critical components in systems designed or intended for the operation of weapons, weapons systems, nuclear installations, life-support devices or systems, other medical devices or systems (including resuscitation equipment and surgical implants), pollution control or hazardous substances management, or other uses where the failure of the device or system could cause personal injury, death, or property damage ("Unintended Uses"). A critical component is any component of a device or system whose failure to perform can be reasonably expected to cause the failure of the device or system, or to affect its safety or effectiveness. Cypress is not liable, in whole or in part, and you shall and hereby do release Cypress from any claim, damage, or other liability arising from or related to all Unintended Uses of Cypress products. You shall indemnify and hold Cypress harmless from and against all claims, costs, damages, and other liabilities, including claims for personal injury or death, arising from or related to any Unintended Uses of Cypress products.

Cypress, the Cypress logo, Spansion, the Spansion logo, and combinations thereof, WICED, PSoC, CapSense, EZ-USB, F-RAM, and Traveo are trademarks or registered trademarks of Cypress in the United States and other countries. For a more complete list of Cypress trademarks, visit [cypress.com](http://cypress.com). Other names and brands may be claimed as property of their respective owners.