



- Sealed to IP66 IP68 and IP69K when mated
- IP68 rating tested at 1.054kg/sq cm (15lb/sq in) 10m depth for 2 weeks
- Simplex LC-Type Interface
- Cabled Versions: 0S1, 0M1, 0M3
- Cable range from 5 to 450m
- Diameter over coupling ring 19.7mm
- Flex, Inline and Rear Panel
- Colour coded O-rings & washers for easy identification purposes
- Secure, proven locking system
- Flame Retardant moulding material - Polyamide UL94-V0
- Tamper proof construction
- Sealing caps available to maintain IP68 rating
- EN60068-2-52 Test Kb Salt Mist (Cyclic) Marine Severity Level 1

CIRCULAR FIBER CONNECTORS
4000 Series - Simplex LC Fiber Buccaneer

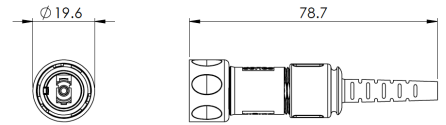


Flex to LC Fiber Cable



PXF4050XXX

- Patchcords with IP68 connectors
- Available in 5 - 450m lengths
- Supplied with LC fiber plug
- 0S1, 0M1 or 0M3 cable options
- Termination options

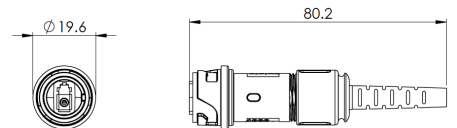


Inline to LC Fiber Cable



PXF4051XXX

- Patchcords with IP68 connectors
- Available in 5 - 450m lengths
- Supplied with LC fiber plug
- 0S1, 0M1 or 0M3 cable options
- Termination options



Flex to Flex Fiber Cable



PXF4054XXX

- Patchcords with IP68 connectors
- Available in 5 - 450m lengths
- Supplied with LC fiber plug
- 0S1, 0M1 or 0M3 cable options
- Termination options

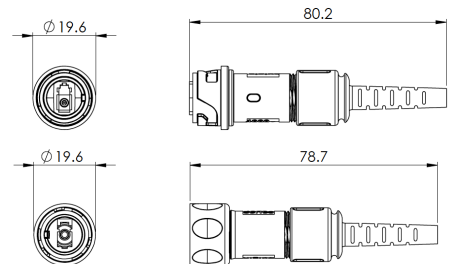


Flex to Inline Fiber Cable



PXF4055XXX

- Patchcords with IP68 connectors
- Available in 5 - 450m lengths
- Supplied with LC fiber plug
- 0S1, 0M1 or 0M3 cable options
- Termination options

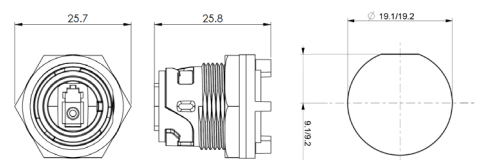


Rear Panel Mounting Connector



PXF4053XXX

- LC fiber adapter
- Leaded with LC connector
- Socket variant mates with PXF4050 type cables



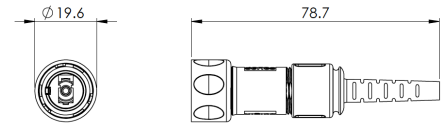
| Part no. | Description |
|----------|--|
| PXF4053 | IP-Sealed LC Type, Rear Panel Mounted, LC Connector at Rear. |

Flex Cable Connector



PXF4050

- Mates with Inline or Panel mounting versions PXF4051, PXF4053
- 30° turn locking ring
- Supplied without LC Connector

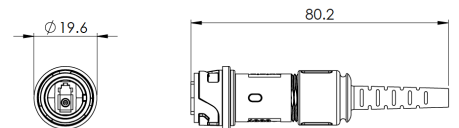


Inline Cable Connector



PXF4051

- Mates with Flex Cable connector PXF4050
- For Inline connection
- Supplied without LC Connector

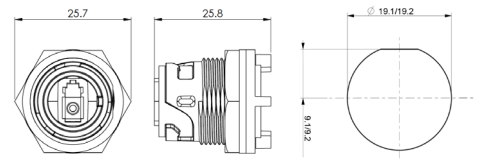


Rear Panel Mounting Connector



PXF4053

- Mates with Flex Cable connector PXF4050
- Rear Panel Mounting
- Single hole fixing
- Supplied without LC Connector



Sealing Caps



- Sealing caps to maintain IP rating when connectors are not in use

| Part no. | Description |
|----------|------------------------------------|
| PXP4081 | Sealing cap for use with PXF4050's |
| PXP4082 | Sealing cap for use with PXF4051 |
| PXP4083 | Sealing cap for use with PXF4053's |

O-ring & washer pack



| Part no. | Description |
|------------|--|
| PXP4089/YL | Yellow coloured O-ring and washer pack |
| PXP4089/BL | Blue coloured O-ring and washer pack |
| PXP4089/RD | Red coloured O-ring and washer pack |
| PXP4089/WH | White coloured O-ring and washer pack |
| PXP4089/GN | Green coloured O-ring and washer pack |

Cables & connectors

Mechanical

| | |
|------------------------|---|
| Sealing: | IP69K, DIN40050-9 IP68, EN60529:1992+A2:2013 (10m depth for 2 weeks) IP66, EN60529:1992+A2:2013 |
| Panel Mount Nut: | 1.0-1.1Nm (91lb.in) |
| Operating temperature: | -25°C to +70°C |
| Salt Mist: | EN60068-2-52 Test Kb Salt Mist (Cyclic) Marine Severity Level 1 |

Material:

| | |
|----------------------|-------------------|
| Body Mouldings: | Polyamide |
| Flammability Rating: | UL94v-0 |
| UV Resistance: | To EN 500021:1999 |

Optical

| | |
|---------------------|---------------------|
| IEC 61753-1: | |
| Max Insertion Loss: | 0.2db } single mode |
| AVG Insertion Loss: | 0.1db } single mode |

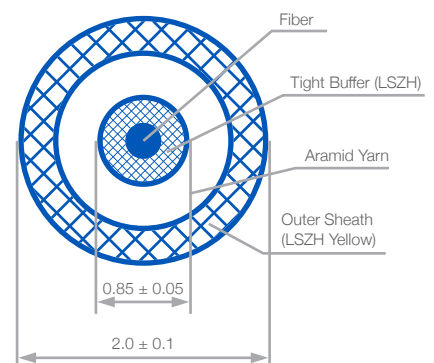
| | |
|-----------------------|----------|
| O Rings: | Silicone |
| Panel Sealing O Ring: | Silicone |

RoHS Compliant

Fiber Specification - SECTION OSI

| Item | Detail | Specification |
|---------------------------------------|-------------------------|--------------------|
| Fiber type: | / | G.657A2 (OS1) |
| Wavelength: | | 1310nm |
| Mode field diameter: | Range of nominal values | 8.6µm-9.5µm±0.4µm |
| Cladding diameter: | Dimension | 125.0µm±0.7µm |
| Core concentricity error: | | ≤0.5µm |
| Cladding non-circularity: | | ≤1% |
| Coating diameter: | Dimension | 245µm±10µm |
| Coating-cladding concentricity error: | | ≤12.5µm |
| Cut-off wavelength: | | ≤1260nm |
| Uncabled fiber macrobending loss: | Radius(mm) | 15 10 7.5 |
| | Number of turns | 10 1 1 |
| | Max. at 1550nm(dB) | 0.03 0.1 0.5 |
| | Max. at 1625nm(dB) | 0.1 0.2 1.0 |
| Min. proof stress: | | 0.69GPa |
| Dynamic fatigue parameter: | | ≥20 |
| Chromatic dispersion coefficient: | λ0min | 1300nm |
| | λ0max | 1324nm |
| | S0max | 0.092ps/nm2×km |
| Other parameters meet standard: | ITU-T G.657 | |

Cable Construction (in mm):



Optical Cable Specification

Structure Parameter

| | | |
|------------------|-----------------------|---|
| Tight buffer: | Material | LSZH (Low-Smoke Zero-Halogen) |
| | Outer diameter | 0.85mm±0.05mm |
| Strength member: | Material | Aramid yarn |
| | | |
| Outer sheath: | Sheath material | LSZH (Low-Smoke Zero-Halogen) |
| | Sheath color | Yellow(Pantone 136C) Chromatic aberration E: ≤4.0 |
| | Min. sheath thickness | 0.3mm |
| | Dimension | 2.0mm±0.1mm |

Transmission Performance

| | | |
|--------------------------|--------------------------|--------------------|
| Attenuation coefficient: | Wavelength 1310nm~1625nm | ≤0.4dB/km |
| | Maximum at 1383nm ±3nm | ≤0.4dB/km |
| | Wavelength 1550nm | ≤0.3dB/km |
| Macrobending loss | Radius(mm) | 15 10 7.5 |
| | Number of turns | 10 1 1 |
| | Max. at 1550nm(dB) | 0.03 0.1 0.5 |
| | Max. at 1625nm(dB) | 0.1 0.2 1.0 |

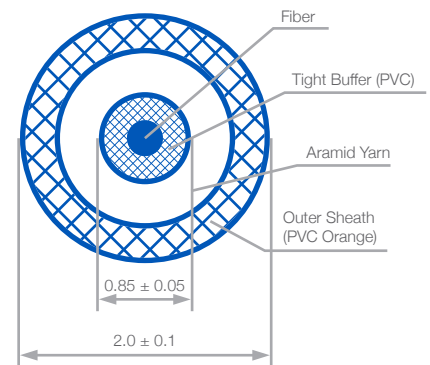
Other performances

| | |
|-------------------------------|--|
| Min. bending radius of work | 10mm |
| Other parameter meet standard | IEC60794-2-50, YD/T1258.2, ITU-T G.657 |

Fiber Specification - SECTION OMI

| Item | Detail | Specification |
|---|--|---------------------|
| Fiber type: | / | 62.5/125(A1b) (OM1) |
| Core diameter: | Dimension | 62.5µm±3µm |
| Cladding diameter: | Dimension | 125.0µm±2µm |
| Core-cladding concentricity error: | | ≤3µm |
| Cladding non-circularity: | | ≤2% |
| Core non-circularity: | | ≤6% |
| Primary coating diameter (uncoloured): | Dimension | 245µm±10µm |
| Primary coating-cladding : concentricity error: | Radius(mm) | ≤12.5µm 37.5 |
| Uncabled fiber macrobending loss: | Number of turns At wavelengths 850nm & 1310nm | 100 0.5(dB) |
| Min. proof stress: | | 0.69GPa |
| Dynamic fatigue parameter: | | ≥20 |
| Minimum modal bandwidth- length: | Wavelength 850nm | 200MHzkm |
| Product for overfilled launch: | Wavelength 1310nm | 500MHzkm |
| Other parameters meet standard: | IEC 60793-2-10 | |

Cable Construction (in mm):

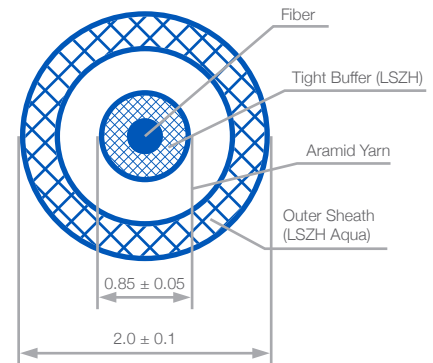


Optical Cable Specification

| Item | Specification |
|---------------------------------|---|
| Structure Parameter | |
| Tight buffer: | Material: PVC Outer diameter: 0.85mm±0.05mm |
| Strength member: | Material: Aramid yarn |
| Outer sheath: | Sheath material: PVC Sheath color: Orange(Pantone 164C) Chromatic aberration E: ≤4.0 Min. sheath thickness: 0.3mm Dimension: 2.0mm±0.1mm |
| Transmission Performance | |
| Attenuation coefficient | Wavelength 850m: ≤3.5dB/km Wavelength 1300nm: ≤1.5dB/km |
| Other performances | |
| Min. bending radius of work | 30mm |
| Other parameter meet standard | IEC60794-2-50, YD/T1258.2 |

Fiber Specification - SECTION OM3

| Item | Detail | Specification |
|--|---|---|
| Fiber type: | / | 50/125(OM3) |
| Core diameter: | Dimension | 50 μ m \pm 2.5 μ m |
| Cladding diameter: | Dimension | 125.0 μ m \pm 2 μ m |
| Core-cladding concentricity error: | | \leq 3 μ m |
| Cladding non-circularity: | | \leq 2% |
| Core non-circularity: | | \leq 6% |
| Primary coating diameter (uncoloured): | Dimension | 245 μ m \pm 10 μ m |
| Primary coating-cladding concentricity error | | \leq 12.5 μ m |
| Uncabled fiber macrobending loss | Radius(mm) | 15 7.5 |
| | Number of turns | 2 2 |
| | Max. at 850nm(dB) | 0.1 0.2 |
| | Max. at 1310nm(dB) | 0.3 0.5 |
| Min. mode bandwidth: | Overfilled launch bandwidth at 850nm | 1500MHz.km |
| | Overfilled launch bandwidth at 1310nm | 500MHz.km |
| | Effective laser launch bandwidth at 850nm | 2000MHz.km |
| Min. proof stress: | | 0.69GPa |
| Dynamic fatigue parameter: | | \leq 20 |
| | λ 0min | 1295nm |
| | λ 0max | 1340nm |
| Chromatic dispersion coefficient: | S0max(from1295nm $\leq\lambda$ 0 \leq 1310nm) | 0.105ps/nm ² ×km |
| | S0max(from1310nm $\leq\lambda$ 0 \leq 1340nm) | 0.000375(1590- λ _v) ps/nm ² ×km |
| | | |
| Other parameters meet standard: | IEC 60793-2-10 | |



Optical Cable Specification

| Item | Specification |
|---------------------------------|--|
| Structure Parameter | |
| Tight buffer: | Material: LSZH |
| | Outer diameter: 0.85mm \pm 0.05mm |
| Strength member: | Material: Aramid yarn |
| Outer sheath: | Sheath material: LSZH |
| | Sheath color: Aqua(Pantone 3248C) Chromatic aberration E: \leq 4.0 |
| | Min. sheath thickness: 0.3mm |
| | Dimension: 2.0mm \pm 0.1mm |
| Transmission Performance | |
| Attenuation coefficient: | Wavelength 850nm: \leq 3.5dB/km |
| | Wavelength 1300nm: \leq 1.5dB/km |
| Macrobending loss: | Radius (mm): 15 7.5 |
| | Number of turns: 2 2 |
| | Max. at 850nm(dB): 0.1 0.2 |
| | Max. at 1310nm(dB): 0.3 0.5 |
| Other performances | |
| Min. bending radius of work: | 10mm |
| Other parameter meet standard: | IEC60794-2-50, YD/T1258.2 |



| PXF405 x | X | XX |
|--|---|--|
| <p>Body Styles</p> <p>PXF4050 PXF4051 PXF4053 PXF4054 PXF4055</p> | <p>Cable Type</p> <p>Blank = No cable A = OS1 (Singlemode) B = OM1 (Multimode) C = OM3 (Multimode)</p> | <p>Cable Length (m)</p> <p>Blank = No Cable AA = 1 (1m on Chassis Version Only PXF4053) AA = 5 AB = 10 AC = 25 AD = 50 AE = 100 AF = 150 AG = 200 AH = 300 AJ = 450</p> |

Examples:

PXF4050 = Flex Connector, No Cable

PXF4050AAA = Flex Connector, OS1 Single Mode Cable, 5 Metre Length to LC Type Connector

PXF4053BAA = Panel Mount Connector, OM1 Multi Mode Cable, 1 Metre Length to LC Type Connector