

8

7

6

5

4

3

2

1

THE INFORMATION CONTAINED IN THIS DRAWING IS THE SOLE PROPERTY OF ANDERSON POWER PRODUCTS. ANY REPRODUCTION IN PART OR WHOLE WITHOUT THE WRITTEN PERMISSION OF ANDERSON POWER PRODUCTS IS PROHIBITED.

Copyright 2022

ANDERSON POWER PRODUCTS RESERVES THE RIGHT TO ALTER PRODUCT TYPES, THEIR TECHNICAL DATA, DIMENSION, STYLE AND ACCESSORIES WITHOUT PRIOR NOTIFICATION.

KIT PART NUMBER

KITS DESCRIPTION

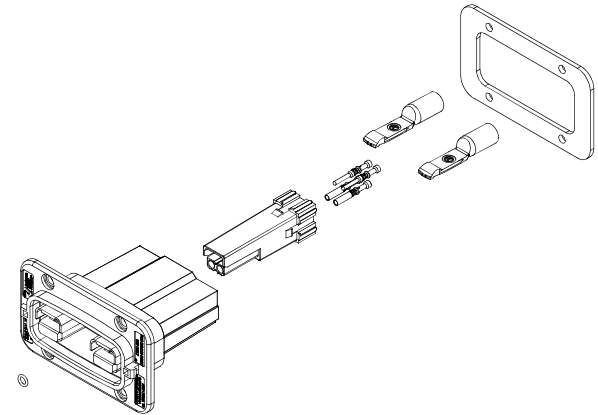
SBSX75A-PMREC-KIT-RED

SBSX75A-PMREC-KIT-BLU

SBSX75A-PMREC-KIT-GRA

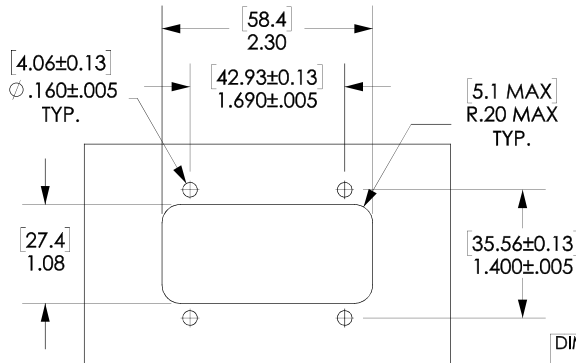
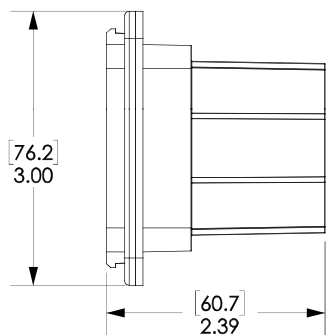
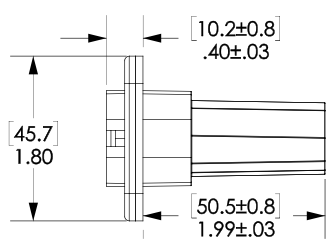
SBSX75A-PMREC-KIT-BLK

CONNECTOR KITS CONTAINING THE CONNECTOR ASSEMBLY, SIGNAL HOLDER, PANEL GASKET AND O-RINGS FOR MOUNTING HARDWARE. KIT PART NUMBER IS UNIQUE TO THE COLOR OF THE SIGNAL HOUSING.

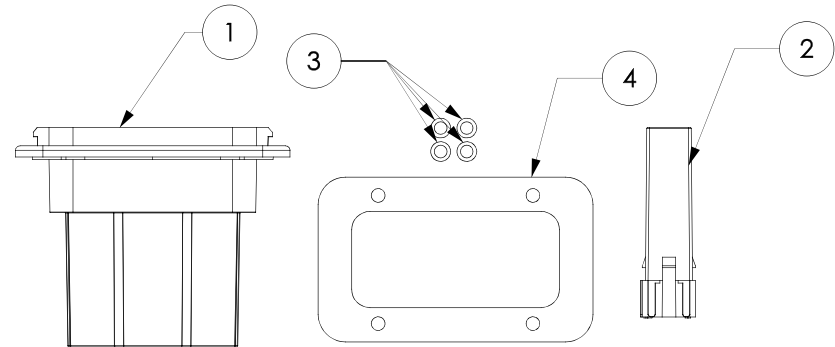


EXPLODED VIEW OF FULL ASSEMBLY SCALE 1:3

ITEM NUMBER	COMPONENT PART NUMBER				MATERIAL	PART DESCRIPTION	QTY
1	SBSX75A-PMREC-BLK				PC/PBT	PANEL MOUNT RECEPTACLE HOUSING	1
2	2-8840P1	2-8840P2	2-8840P3	2-8840P4	PC	SIGNAL CONTACT HOUSING	1
COLOR	(RED)	(BLUE)	(GRAY)	(BLACK)	-	-	-
3	115233P14				SILICONE	HARDWARE O-RINGS	4
4	116008P1				NBR	PANEL MOUNT GASKET	1



RECOMMENDED PANEL MOUNT CUTOUT



- NOTES:
- ALL CONTACTS ARE SOLD SEPARATELY.
  - RECOMMENDED HARDWARE FOR MOUNTING TO BE WITHOUT TAPERED HEAD.

DIMENSIONS ARE IN:		INCH [MM]		APPROVALS		ANDERSON POWER PRODUCTS		
UNLESS OTHERWISE STATED				DRAWN		TITLE		
TOLERANCES:				JWH	2/1/2022	SEALED SBS@X - 75A		
DECIMALS (INCH)		DECIMALS (MM)		CHECKED		PANEL MOUNT RECEPTACLE CONNECTOR		
.XX ± .02	.X ± .5		± 2°	CMS	3/11/2022			
SURFACE FINISH:				PM APPRV				
MACHINED 128µin [3.2µ]		✓		CM	3/22/2022	COA		
MOLDED 64µin [1.6µ]		✓		QC APPRV		3332	PROD. LINE	
MATERIAL:				UFN	3/25/2022	SBS@X-75A		
SEE TABLE				ENG APPRV		SIZE	DWG NO.	
FINISH:				SH	3/11/2022	A	115990S1	
3rd ANGLE PROJECTION				-CAD GENERATED DRAWING- DO NOT MANUALLY UPDATE DO NOT SCALE		SCALE	CADFILE	REV.
						NONE	05477	0
								SHEET
								1 OF 1

REV.	DESCRIPTION	APPRV	DATE
REVISIONS			

8

7

6

5

4

3

2

1