

THE INFORMATION CONTAINED IN THIS DRAWING IS THE SOLE PROPERTY OF ANDERSON POWER PRODUCTS. ANY REPRODUCTION IN PART OR WHOLE WITHOUT THE WRITTEN PERMISSION OF ANDERSON POWER PRODUCTS IS PROHIBITED.

**Copyright 2022**

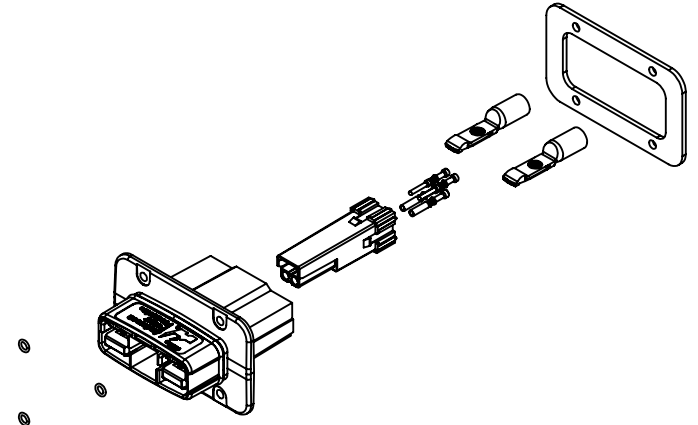
ANDERSON POWER PRODUCTS RESERVES THE RIGHT TO ALTER PRODUCT TYPES, THEIR TECHNICAL DATA, DIMENSION, STYLE AND ACCESSORIES WITHOUT PRIOR NOTIFICATION.

**KIT PART NUMBER**

**KITS DESCRIPTION**

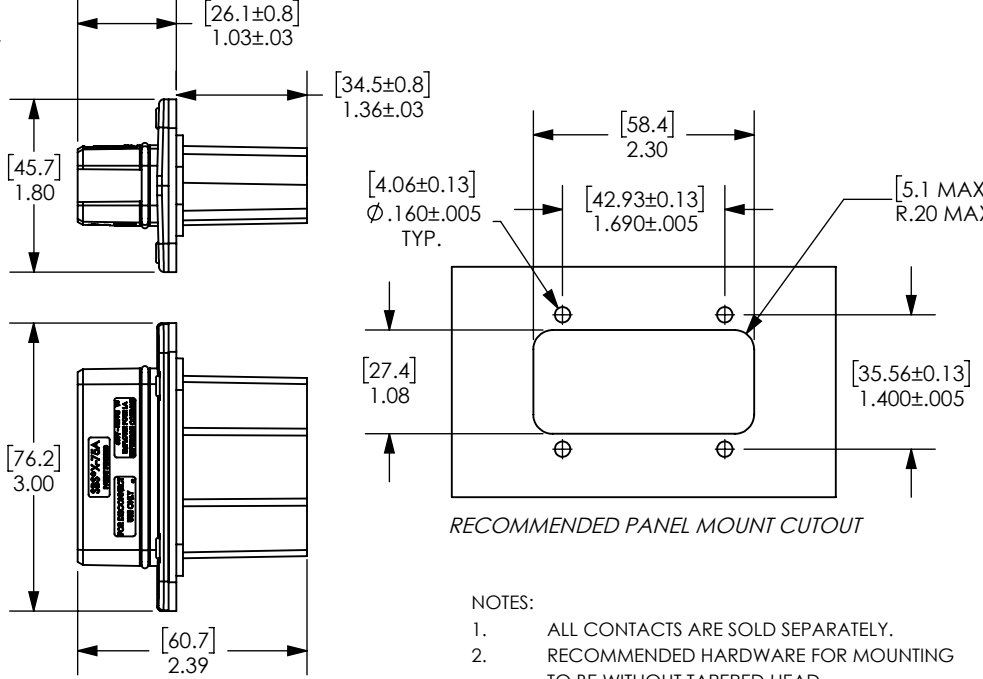
- SBSX75A-PMPLUG-KIT-RED
- SBSX75A-PMPLUG-KIT-BLU
- SBSX75A-PMPLUG-KIT-GRA
- SBSX75A-PMPLUG-KIT-BLK

CONNECTOR KITS CONTAINING THE CONNECTOR ASSEMBLY, SIGNAL HOLDER, PANEL GASKET AND O-RINGS FOR MOUNTING HARDWARE. KIT PART NUMBER IS UNIQUE TO THE COLOR OF THE SIGNAL HOUSING.

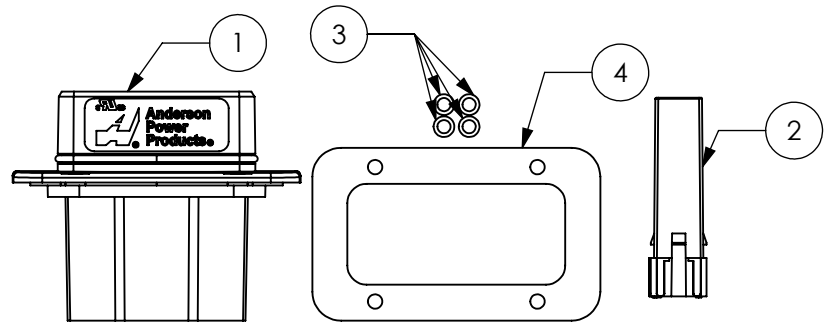


EXPLODED VIEW OF FULL ASSEMBLY  
SCALE 1:3

ITEM NUMBER	COMPONENT PART NUMBER				MATERIAL	PART DESCRIPTION	QTY
1	SBSX75A-PMPLUG-BLK				PC/PBT	PANEL MOUNT PLUG HOUSING	1
2	2-8840P1	2-8840P2	2-8840P3	2-8840P4	PC	SIGNAL CONTACT HOUSING	1
COLOR	(RED)	(BLUE)	(GRAY)	(BLACK)	-	-	-
3	115233P14				SILICONE	HARDWARE O-RINGS	4
4	116008P1				NBR	PANEL MOUNT GASKET	1



- NOTES:
- ALL CONTACTS ARE SOLD SEPARATELY.
  - RECOMMENDED HARDWARE FOR MOUNTING TO BE WITHOUT TAPERED HEAD.



DIMENSIONS ARE IN:		INCH [MM]		APPROVALS		<b>ANDERSON POWER PRODUCTS</b>					
UNLESS OTHERWISE STATED											
TOLERANCES:				DRAWN	JWH	2/1/2022					
DECIMALS (INCH) DECIMALS (MM) ANGLES				CHECKED	CMS	3/11/2022					
.XX ±.02 .X ±.5 ±2°				PM APPRV	CM	3/22/2022					
SURFACE FINISH:				QC APPRV	UFN	3/25/2022					
MACHINED 128µin [3.2µ] ✓				ENG APPRV	SH	3/11/2022					
MOLDED 64µin [1.6µ] ✓				MATERIAL:		COA	3332	PROD. LINE	SBS@X-75A		
SEE TABLE				FINISH:		SIZE	A	DWG NO.	115991S1	REV.	0
3rd ANGLE PROJECTION				-CAD GENERATED DRAWING- DO NOT MANUALLY UPDATE DO NOT SCALE		SCALE	NONE	CADFILE	05478	SHEET	1 OF 1

REV.	DESCRIPTION	APPRV	DATE
REVISIONS			