

Specifications

Material

Insulator: LCP, UL 94V-0, Black
 Contact: Copper Alloy (C1814), T=0.12mm
 Mid Plate: Stainless Steel (SUS301), T=0.15mm
 Shell: Stainless Steel (SUS304), T=0.30mm

Plating

Contact
 Contact Area: 3u" Au over 50µ" min. Nickel
 Solder Tails: Gold Flash over 50µ" min. Nickel
Shell: 30µ" min. Nickel
Mid Plate: Cleaning

Electrical

Current Rating: 5.00A collectively for Vbus pins
 6.25A collectively for GND pins
 1.25A for B5 pin
 0.25A per pin for all other pins
Voltage Rating: 20V DC
Contact Resistance: 40mΩ max initial.
 50mΩ max after test
Dielectric Withstanding Voltage: 100V AC
Insulation Resistance 100MΩ min

Mechanical & Environmental

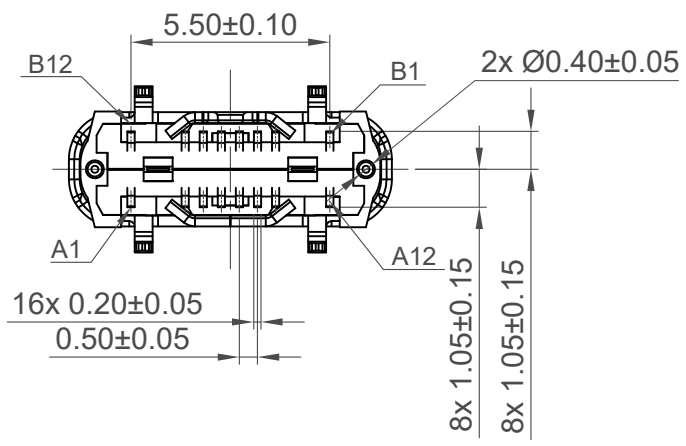
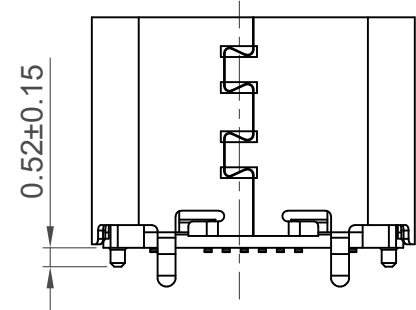
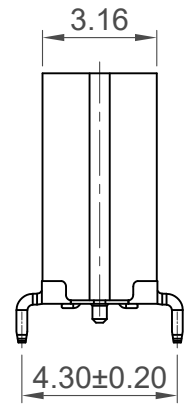
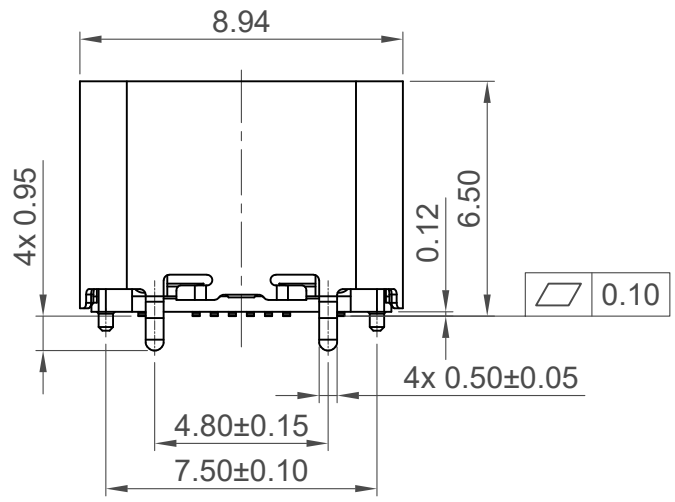
Operating Temperature: -25°C to +85°C
Mating Force: 5 to 20 N.
Unmated Force: 6 to 20 N after test
Durability: 10,000 cycles

Ordering Grid

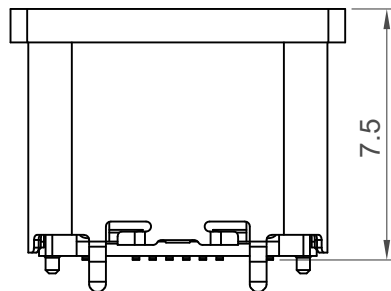
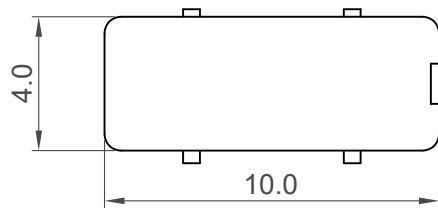
USB4120 - 03 - C Request Samples and Quotation

Contact Plating
 03 = 3u" Gold

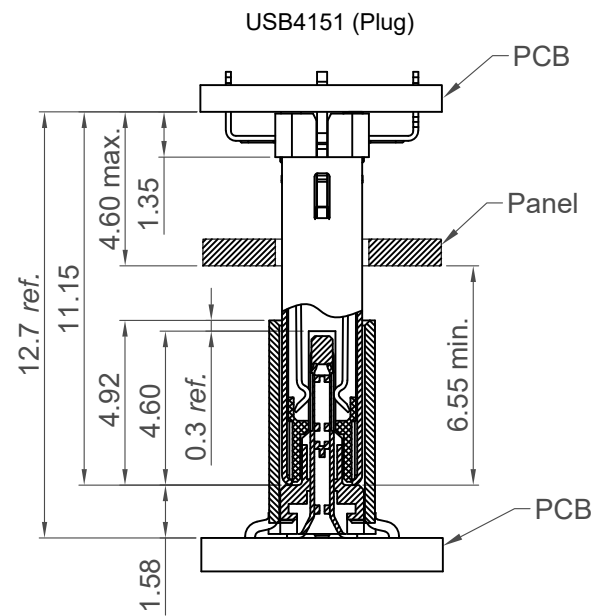
Packing Options
 C = Tape & Reel with Cap (600 per reel)



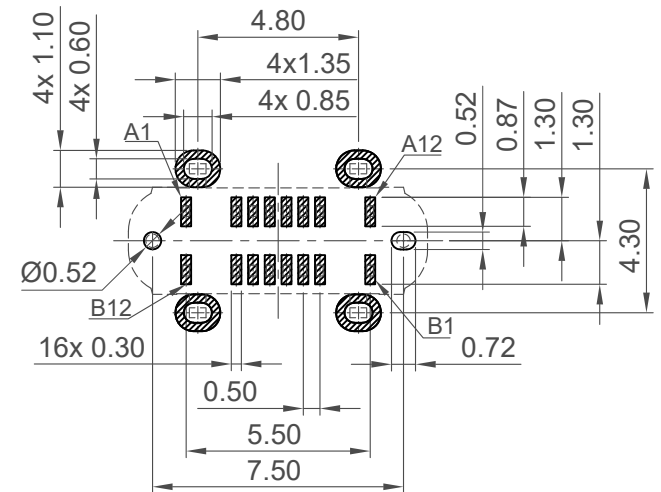
Part Number		Product Description		GCT www.gct.co
USB4120		USB 2.0 Type C Receptacle, 16contacts, Vertical, SMT, H=6.5mm		
Drawing Date		28th September 2020		
By	CC	Tolerances (Except as Noted)	Units:	 This drawing is confidential and copyright of Global Connector Technology, Ltd (GCT). This drawing must not be copied or disclosed without written consent. E & OE
Detail	Drawing Release	Length X.X ± 0.30	Angle Metric (mm)	
Revision	A3	X.XX ± 0.25	-	
Date	27/12/21	X.XXX ± 0.10	3rd Angle Projection	
Not to Scale	Drawn By	CC	Sheet No.	1/3



Cap Information



USB4120 (Receptacle)
Plug and Receptacle Mating View



Recommended PCB Layout

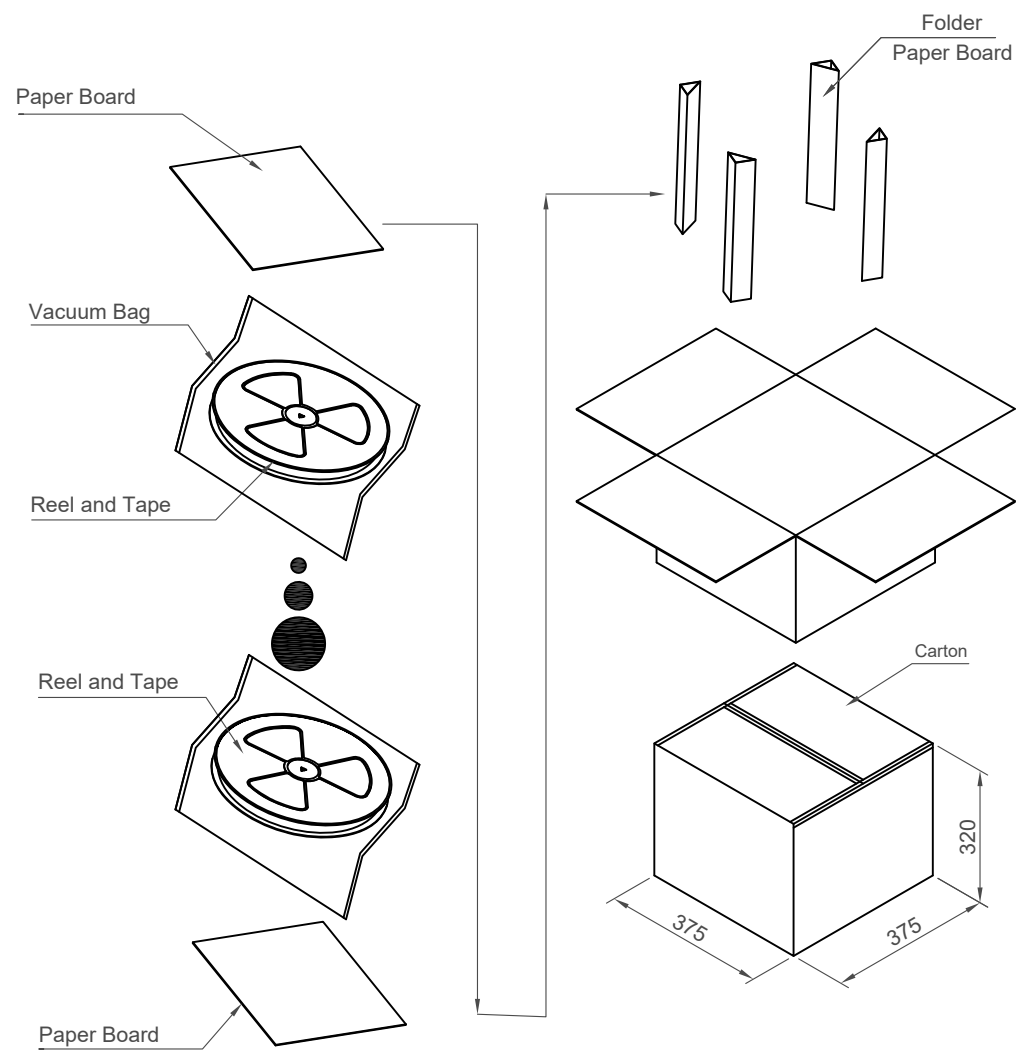
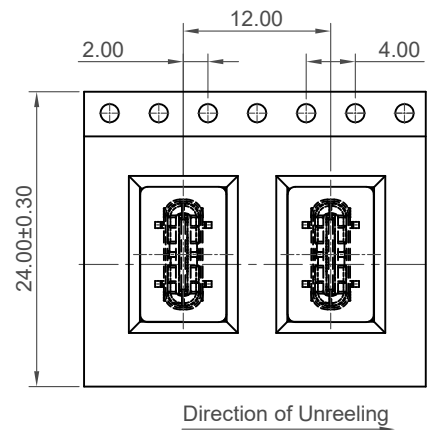
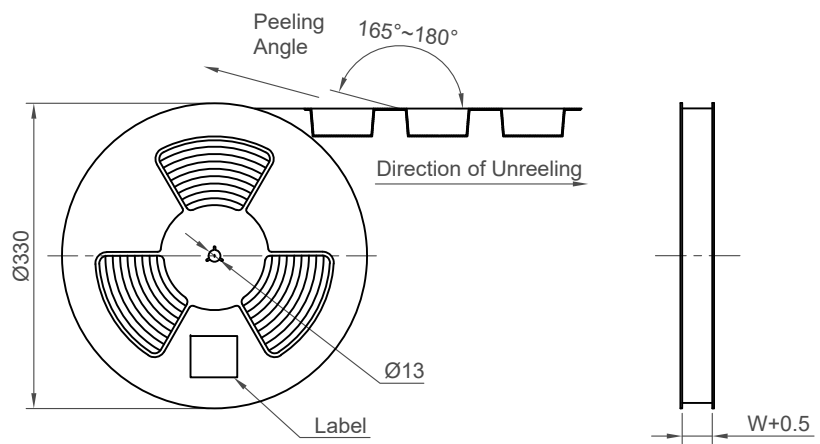
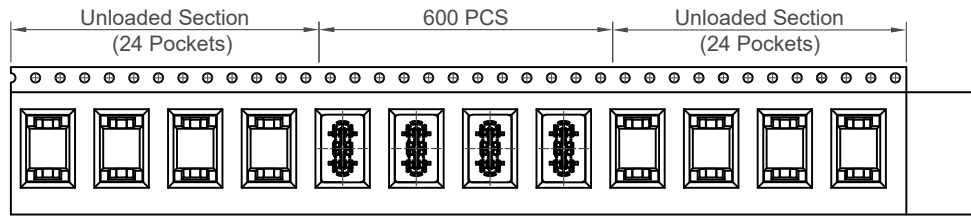
Thickness 1.00±0.10mm

Tolerance: ±0.05mm

▨ Solder Area □ Component Outline

Pin	Signal	Mating Sequence	Pin	Signal	Mating Sequence
A1	GND	First	B12	GND	First
A4	Vbus	First	B9	Vbus	First
A5	CC1	Second	B8	SBU2	Second
A6	Dp1	Second	B7	Dn2	Second
A7	Dn1	Second	B6	Dp2	Second
A8	SBU1	Second	B5	CC2	Second
A9	Vbus	First	B4	Vbus	First
A12	GND	First	B1	GND	First
SHELL		GND	SHELL		GND

Part Number		Product Description			
USB4120		USB 2.0 Type C Receptacle, 16contacts, Vertical, SMT, H=6.5mm			
Drawing Date		28th September 2020			
By	CC	Tolerances (Except as Noted)	Units:	 This drawing is confidential and copyright of Global Connector Technology, Ltd (GCT). This drawing must not be copied or disclosed without written consent. E & OE	
Detail	Drawing Release	Length	Angle		
Revision	A3	X.X ± 0.30	-		
Date	27/12/21	X.XX ± 0.25	-		
		X.XXX ± 0.10		 3rd Angle Projection	
				 www.gct.co	
				Not to Scale Drawn By CC Sheet No. 2/3	



Pcs / Reel	Reels / Carton	Total Quantity
600	10	6,000 pcs

Part Number		Product Description	
USB4120		USB 2.0 Type C Receptacle, 16contacts, Vertical, SMT, H=6.5mm	
Drawing Date		28th September 2020	
By	CC	Tolerances (Except as Noted)	Units:
Detail	Drawing Release	Length	Metric (mm)
Revision	A3	X.X ± 0.30	 3rd Angle Projection
Date	27/12/21	X.XX ± 0.25	
		X.XXX ± 0.10	



This drawing is confidential and copyright of Global Connector Technology, Ltd (GCT). This drawing must not be copied or disclosed without written consent. E & OE



Not to Scale	Drawn By CC	Sheet No. 3/3
--------------	-------------	---------------