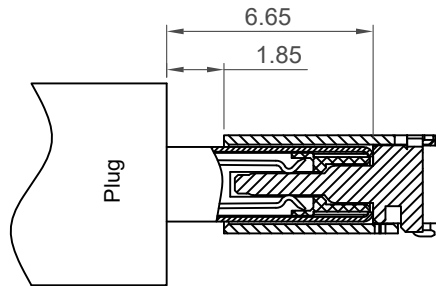
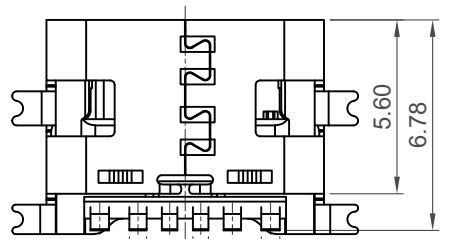
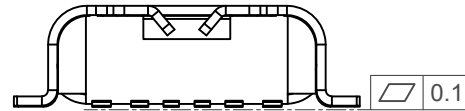
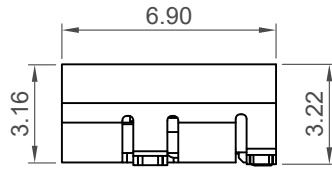
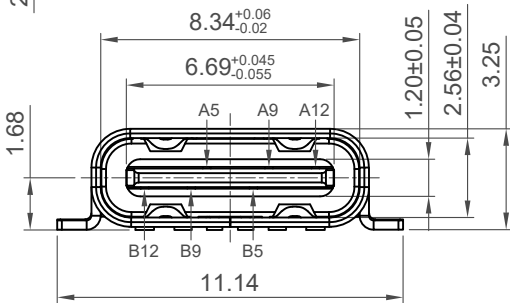


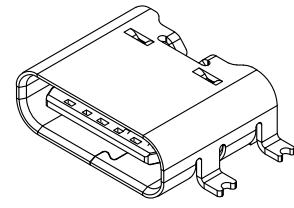
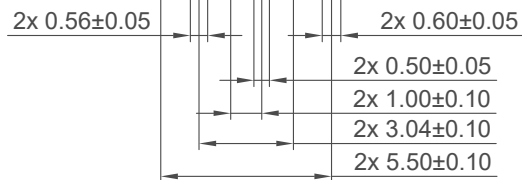
Recommended PCB Layout

Tolerance: ±0.05mm

▨ Solder Area □ Component Outline



Plug and Receptacle Mating View



Pin	Signal	Mating Sequence
A5	CC1	Second
A9	Vbus	First
A12	GND	First
B5	CC2	Second
B9	Vbus	First
B12	GND	First
SHELL	GND	

Specifications

Material

- Insulator: LCP, UL 94V-0, Black
- Contact: Copper Alloy
- Shell: Stainless Steel
- Middle Plate: Stainless Steel

Plating

- Contact: Gold Flash
- Shell: 50µ" min. Nickel
- Middle Plate: Cleaning

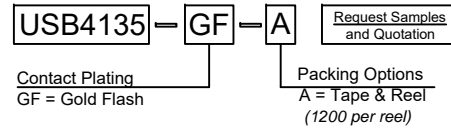
Electrical

- Current Rating: 3.00A collectively for VBUS pins
4.25A collectively for GND pins
1.25A for B5 pin
0.25A for A5 pin
- Voltage Rating: 20V DC
- Contact Resistance: 40mΩ max initial.
50mΩ max after test
- Dielectric Withstanding Voltage: 100V AC
- Insulation Resistance 100MΩ min

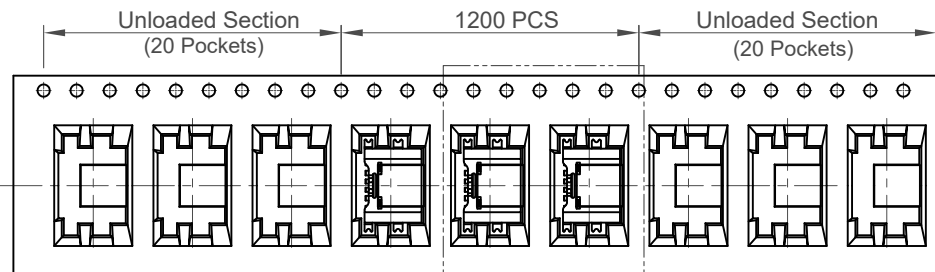
Mechanical & Environmental

- Operating Temperature: -30°C to +85°C
- Mating Force: 5 to 20 N.
- Unmated Force: 6 to 20 N after test
- Durability: 20,000 cycles

Ordering Grid



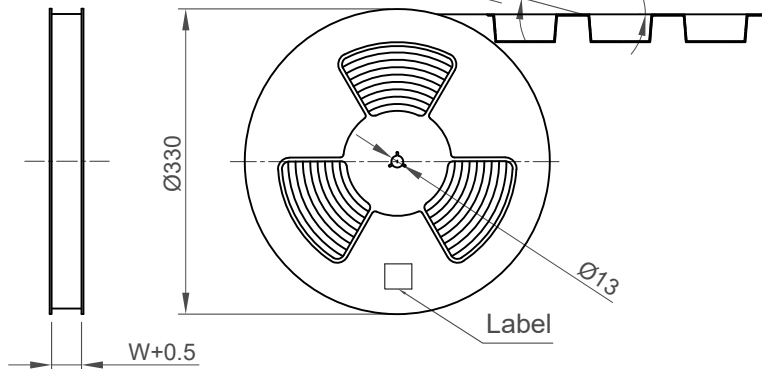
Part Number USB4135		Product Description Type C Receptacle, Horizontal, SMT, For Power Charging Only			This drawing is confidential and copyright of Global Connector Technology, Ltd (GCT). This drawing must not be copied or disclosed without written consent. E & OE	www.gct.co
Drawing Date 21st January 2022						
By	CC	Tolerances (Except as Noted)	Units:			
Detail	Drawing Release	Length	Metric (mm)			
Revision	A	X.X ± 0.30				
Date	21/01/22	X.XX ± 0.25 X.XXX ± 0.10				
Not to Scale	Drawn By CC	Sheet No. 1/2				



Direction of Unreeling

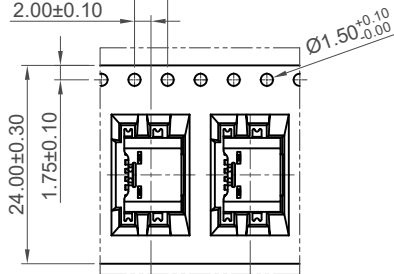
Detail E

Peeling Angle 165°~180°

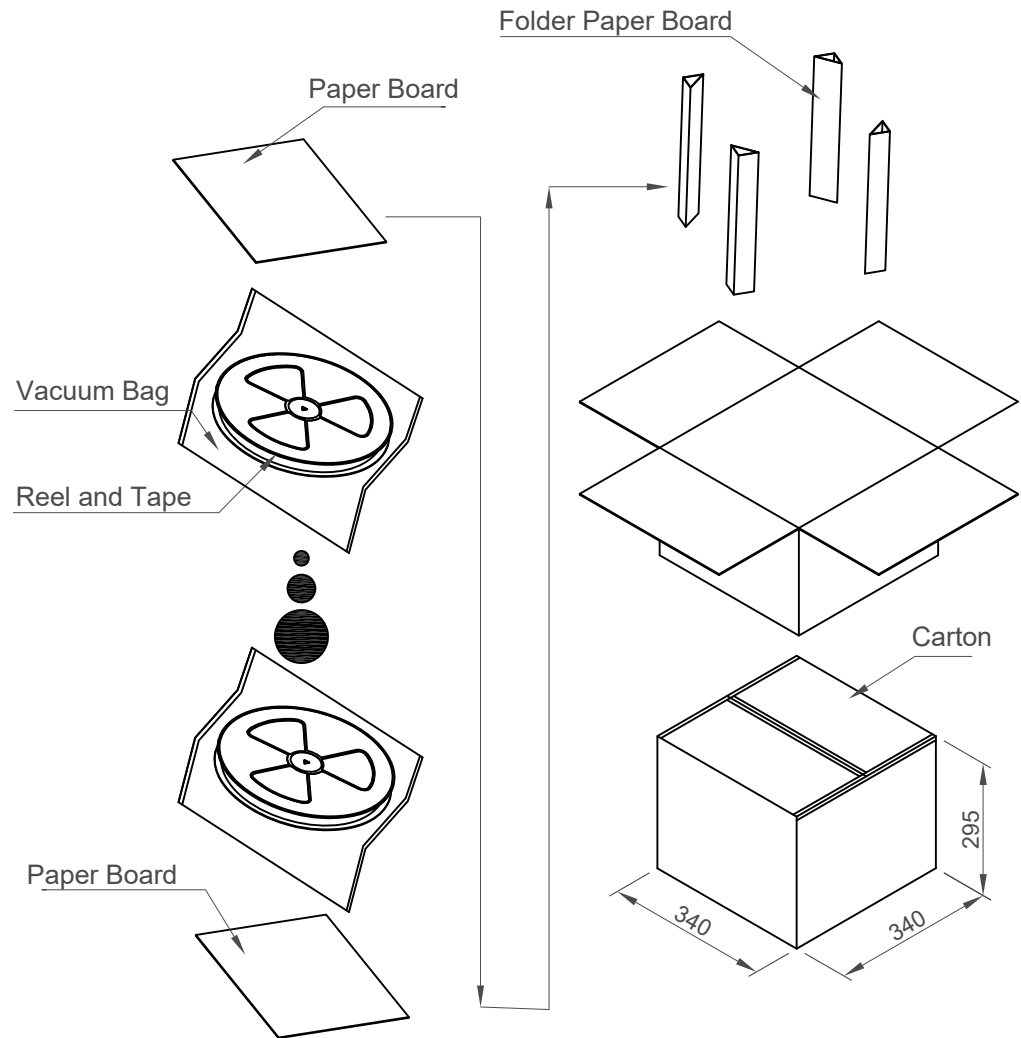


Direction of Unreeling




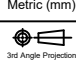
4.00±0.10
2.00±0.10



Detail: E



Pcs / Reel	Reels / Carton	Total Quantity
1200	9	10800 pcs

Part Number USB4135		Product Description Type C Receptacle, Horizontal, SMT, For Power Charging Only		 www.gct.co		
Drawing Date 21st January 2022						
By CC	Drawing Release	Tolerances (Except as Noted) Length X.X ± 0.30 Angle X.XX ± 0.25	Units: Metric (mm)	  This drawing is confidential and copyright of Global Connector Technology, Ltd (GCT). This drawing must not be copied or disclosed without written consent. E & OE		
Revision A	Date 21/01/22	X.XXX ± 0.10	 3rd Angle Projection			
		<table border="1"> <tr> <td>Not to Scale</td> <td>Drawn By CC</td> <td>Sheet No. 2/2</td> </tr> </table>			Not to Scale	Drawn By CC
Not to Scale	Drawn By CC	Sheet No. 2/2				