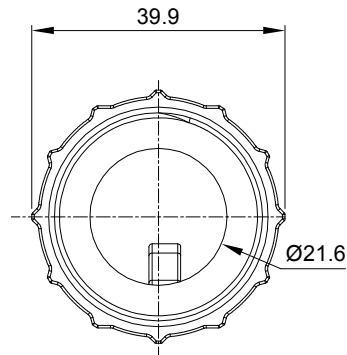
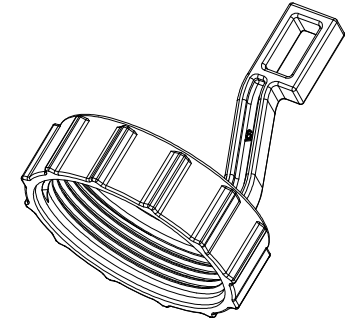
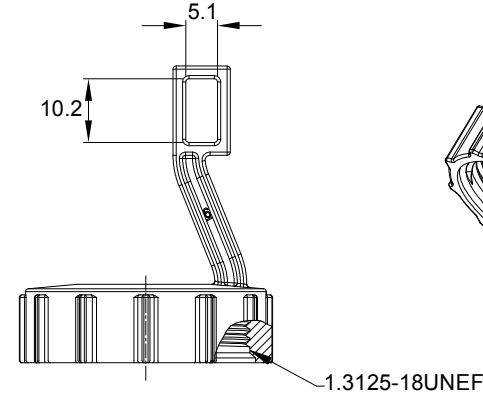
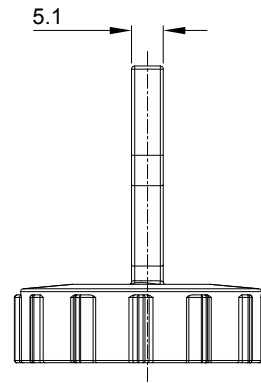
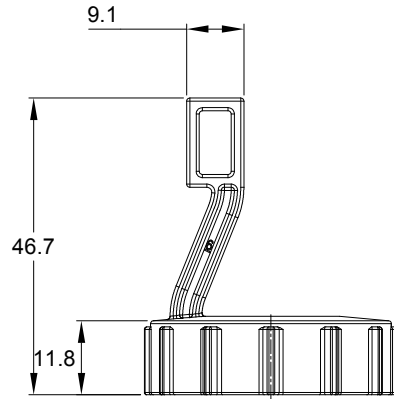


REVISIONS					
REV	ECO	DESCRIPTION	DATE	BY	APPR
A1	-	RELEASE NEW DRAWING	15JUN18	RIMON	TOMMY
A2	C0964S	INCREASE ROUND CORNER OF ARM, ADD COLOURS AND CHANGE THE MATERIAL.	19DEC18	PETER	TOMMY



NOTES: UNLESS OTHERWISE SPECIFIED

1. MATERIAL: THERMOPLASTIC; COLOR: GREY
2. COMPATIBLE WITH AHD 6 POSITION.
3. RoHS COMPLIANT.
4. ALL DIMENSIONS ARE FOR REFERENCE USE ONLY.

TITLE:

STRAIN RELIEF AHD 6 PIN TY-RAP

DWG NO.:

AHD18-006

REV/ A2

SH: 1

OF: 1

AHD18-006		DESCRIPTION		ITEM								
PART NUMBER												
QUANTITY	<b>MATERIALS LIST</b>											
<b>UNLESS OTHERWISE SPECIFIED:</b>		<b>SIGNATURES</b>	<b>DATE</b>	<p><b>Amphenol</b></p> <p>Sine Systems - www.amphenol-sine.com 44724 Morley Drive Clinton Township, MI 48036</p> <p>STRAIN RELIEF AHD 6 PIN TY-RAP</p>								
1) All dimensions are in metric(mm).		DRAWN: PETER	19DEC18									
2) Tolerances are as follows:		CHECKED: ORIONLI	19DEC18									
1 PL DEC ±0.30 Fractions ±1/64		ENGINEER:										
2 PL DEC ±0.15 Angles ±1°		APPROVAL: TOMMY.XIE	19DEC18									
3) Note reference =		CUSTOMER:										
MATERIAL SPECIFICATIONS:		THIS DRAWING IS SUPPLIED FOR INFORMATION ONLY. DESIGN FEATURES, SPECIFICATIONS AND PERFORMANCE DATA SHOWN HEREON ARE THE PROPERTY OF THE AMPHENOL CORPORATION. NO RIGHTS OF REPRODUCTION ARE IMPLIED. ALL DIMENSIONS ARE SUBJECT TO NORMAL MANUFACTURING VARIATIONS.		<table border="1"> <tr> <td>SIZE</td> <td>TYPE</td> <td>DWG NO.:</td> <td>REVISION</td> </tr> <tr> <td>B</td> <td>C-</td> <td>AHD18-006</td> <td>A2</td> </tr> </table>	SIZE	TYPE	DWG NO.:	REVISION	B	C-	AHD18-006	A2
SIZE	TYPE	DWG NO.:	REVISION									
B	C-	AHD18-006	A2									
PROCESS SPECIFICATIONS:		SCALE: NONE		SHEET 1 OF 1								
NEXT ASSY:												