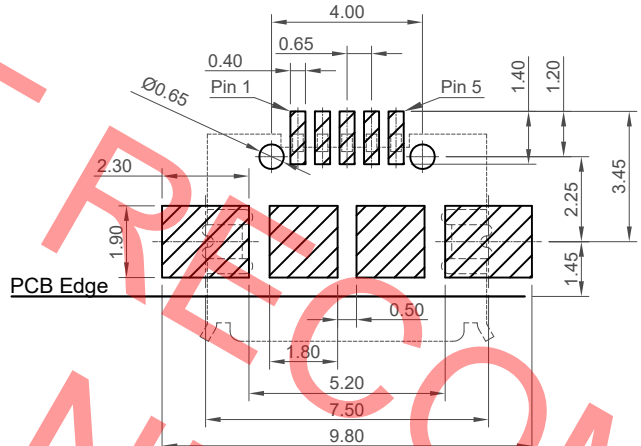
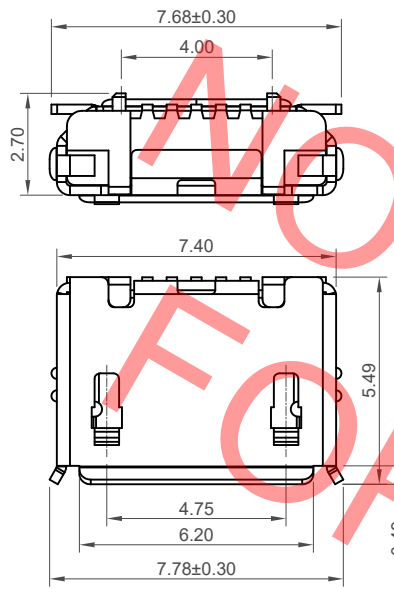
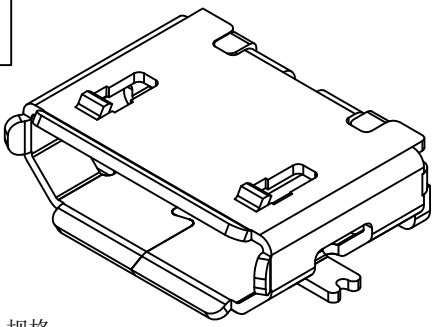
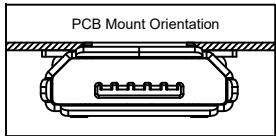


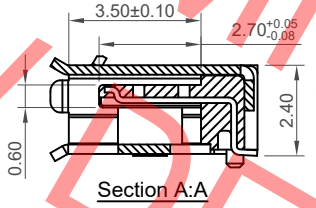
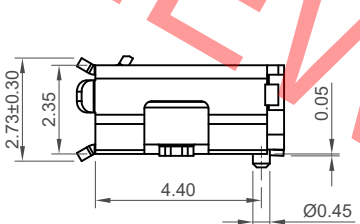
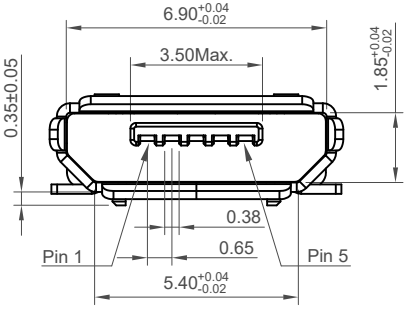
Designed to comply with physical, electrical and environmental requirements of Micro USB Standard (USB2.0).



**Recommended PCB Layout**

As viewed from component side  
General Tolerance: ±0.05

☒ Solder Area ☐ Component Outline



**Specifications 规格**

**Material 物料**

Plastic Housing 塑胶外壳: LCP, UL94V-0, Black  
Contact Terminal 接触端子: Copper Alloy  
Metallic Shell 金属外壳: Stainless Steel  
SUS 304, T = 0.25mm

**Plating 电镀**

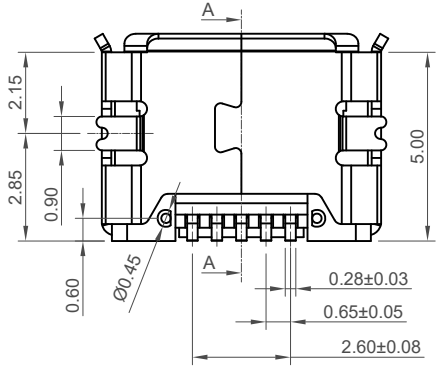
Underplating 底层电镀: 50µ" Nickel  
Finish 表面处理: Contact Area 接触面积: 30µ" Gold plating  
Solder Tails 焊接末端: Gold Flash  
Metallic Shell 金属外壳: Matte Tin

**Electrical 电气**

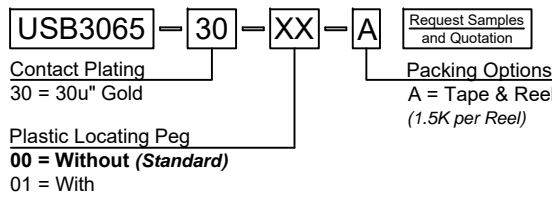
Voltage Rating 电压额定值: 30 V AC  
Current Rating 电流额定值: Signal (Pins 2,3,4): 1.0A.  
Power (Pins 1,5): 1.8A.  
Operating Temperature 工作温度: -30°C to +85°C  
Contact Resistance 接触电阻值: 30mΩ max.  
Insulating Resistance 绝缘电阻值: 1000MΩ min.  
Dielectric Withstand Voltage 耐电压: 500V AC/Minute

**Mechanical & Environmental 机械 & 环境**

Mating Force 插入力: 35N max.  
Unmating Force 拔出力: 10N min.  
Durability 耐久性: 10,000 Cycles



**Ordering Grid**



**Contact Plating**

30 = 30µ" Gold

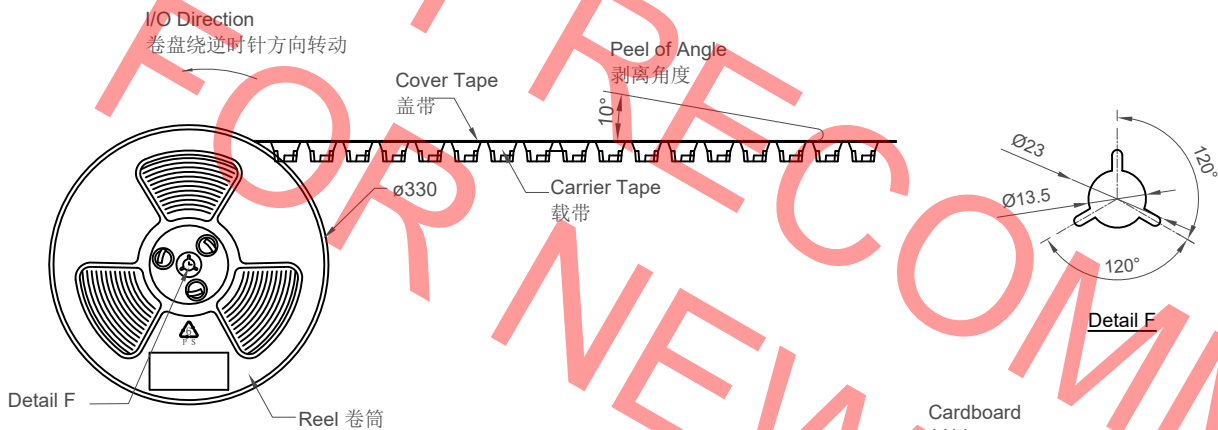
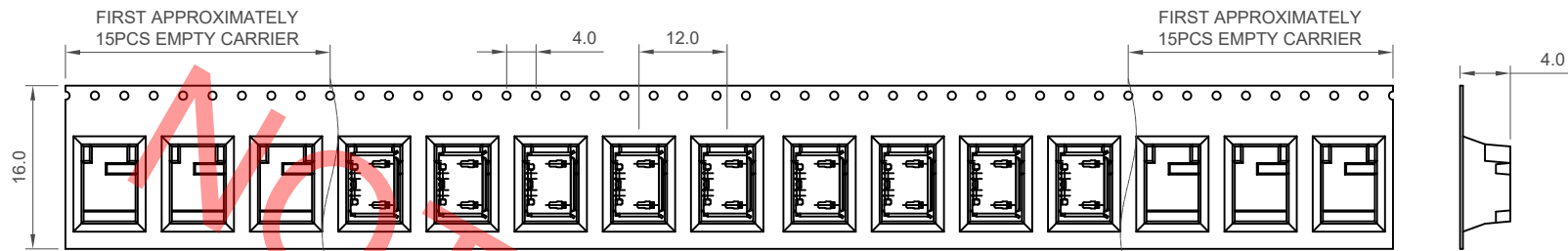
**Plastic Locating Peg**

00 = Without (Standard)  
01 = With

Part Number USB3065		Product Description Micro USB Receptacle, Type B, 5 Pin, SMT, Horizontal, Bottom Mount (Standard), Optional Plastic Locating Peg	
Drawing Date 4th April 2011			
By CC	USB3065	Tolerances (Except as Noted)	
Detail EPCN		Length X.X ± 0.2	Angle X.X° ± 2°
Revision E2		X.XX ± 0.10	X.XX° ± 1°
Date 13/12/16		X.XXX ± 0.05	X.XXX° ± 0.5°
Units: Metric (mm)		3rd Angle Projection	
RoHS COMPLIANT 2011/05/EU Deca-BDE		This drawing is confidential and copyright of Global Connector Technology, Ltd (GCT). This drawing must not be copied or disclosed without written consent. E & OE	

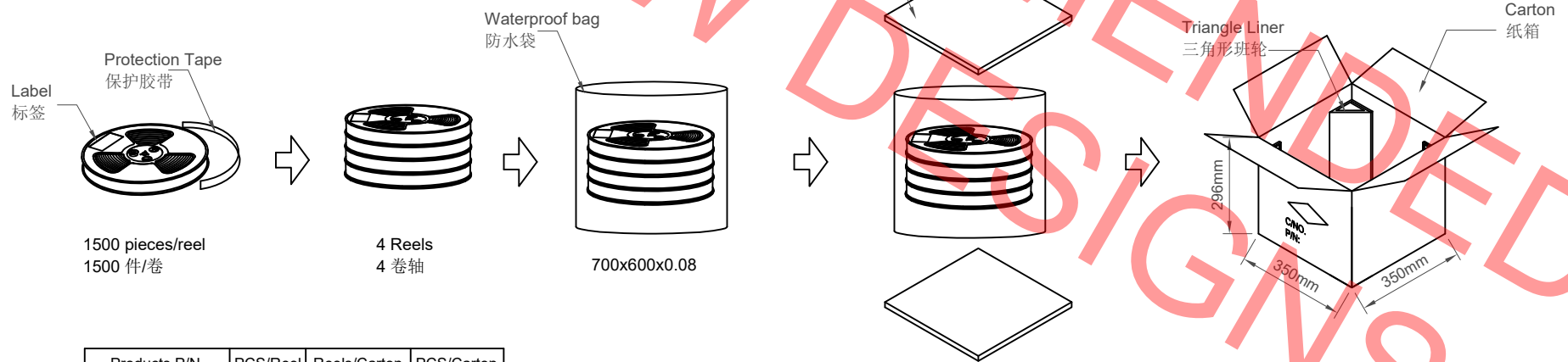


Not to Scale Drawn By ASE Sheet No. 1/2



Notes注意:

1. Peeling off force of top tape: 0.1-1.3N
2. Part Conforms to EIA-481-C Standards 产品符合EIA-481-C标准
3. All dimensions in millimeters 所有尺寸均是毫米
4. 10 sprocket hole pitch cumulative tolerance±0.2mm



Products P/N	PCS/Reel	Reels/Carton	PCS/Carton
USB3065-30-XX-A	1500	4	6000

Part Number		Product Description	
USB3065		Micro USB Receptacle, Type B, 5 Pin, SMT, Horizontal, Bottom Mount (Standard), Optional Plastic Locating Peg	
Drawing Date		4th April 2011	
By	CC	Tolerances (Except as Noted)	Units:
Detail	USB3065 E PCN	Length	Metric (mm)
Revision	E2	-	3rd Angle Projection
Date	13/12/16	-	



This drawing is confidential and copyright of Global Connector Technology, Ltd (GCT). This drawing must not be copied or disclosed without written consent. E & OE



www.gct.co

Not to Scale	Drawn By ASE	Sheet No. 2/2
--------------	--------------	---------------