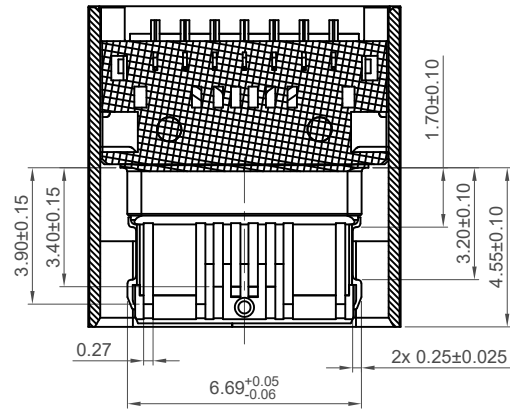
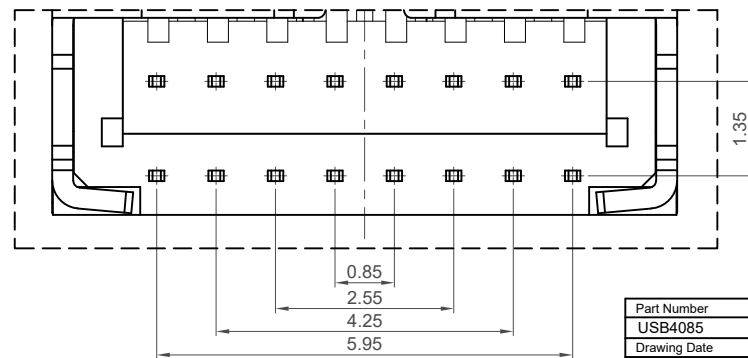
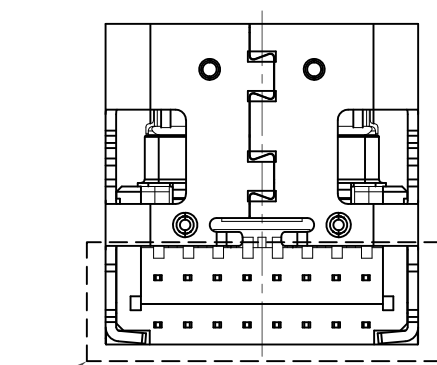
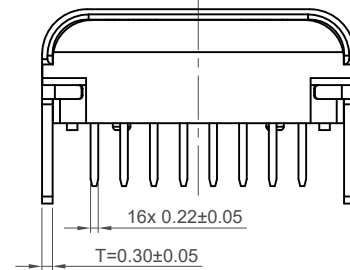
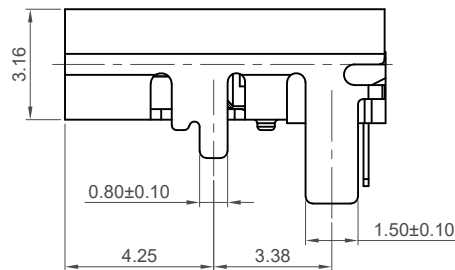
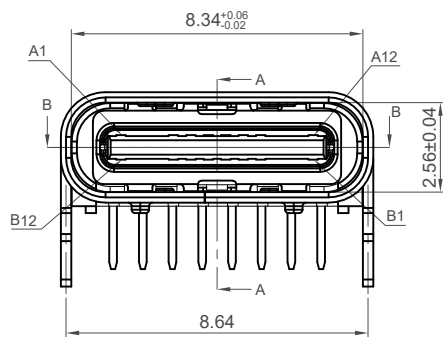


Section A-A



Section B-B



Detail C
Scale 2:1

Pin	Signal	Mating Sequence	Pin	Signal	Mating Sequence
A1	GND	First	B12	GND	First
A4	Vbus	First	B9	Vbus	First
A5	CC1	Second	B8	SBU2	Second
A6	Dp1	Second	B7	Dn2	Second
A7	Dn1	Second	B6	Dp2	Second
A8	SBU1	Second	B5	CC2	Second
A9	Vbus	First	B4	Vbus	First
A12	GND	First	B1	GND	First
SHELL		GND	SHELL		GND

Specifications

Material

Insulator: High Temp. Plastic UL 94V-0, Black
 Contact: Copper Alloy (T=0.15mm)
 Shell: Stainless steel (T=0.30mm)
 Inner Ground Cover Shell: Stainless Steel (T=0.10mm)
 Mid-Plate: Stainless Steel (T=0.15mm)

Plating

Contact:
 Contact Area: See Ordering Grid
 Solder Tails: 80µ" min. Matte Tin
 Underplating: 50µ" min. Nickel
 Shell: 50µ" min. Nickel
 Inner Ground Cover Shell & Mid-Plate: Cleaning

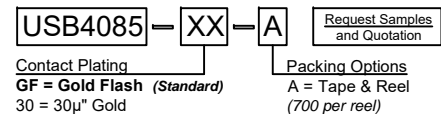
Electrical

Current Rating: 3.00A collectively for Vbus pins
 4.25A collectively for GND pins
 1.25A for B5 pin
 0.25A per pin for all other pins
 Voltage Rating: 20V DC
 Contact Resistance: 40mΩ max initial.
 50mΩ max after test
 Dielectric Withstanding Voltage: 100V AC
 Insulation Resistance 100MΩ min

Mechanical & Environmental

Operating Temperature: -40°C to 85°C
 Mating Force: 5 to 20 N.
 Unmated Force: 6 to 20 N after test
 Durability: 10,000 cycles

Ordering Grid



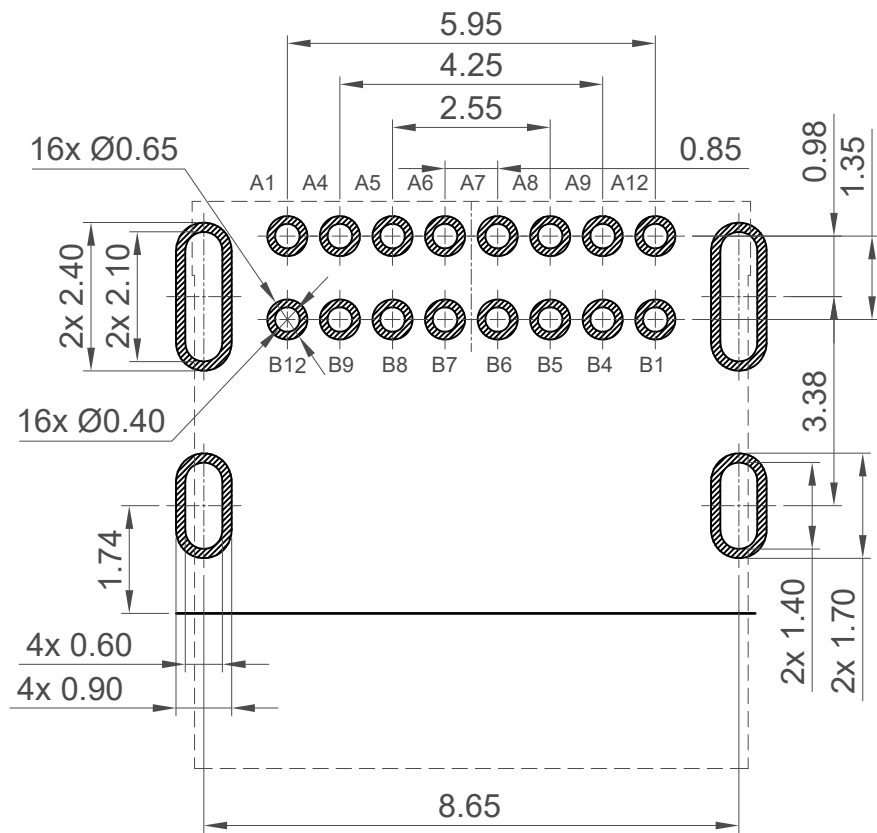
Part Number		Product Description	
USB4085		USB 2.0 Type C Receptacle	
Drawing Date		Dip Type, PCB Top Mount	
9th April 2018			
By	CC	Tolerances (Except as Noted)	Units:
Detail	Drawing Release	Length	Angle
Revision	A4	X. ± 0.50	± 2°
Date	27/07/21	X.X ± 0.30	
		X.XX ± 0.20	
		X.XXX ± 0.10	



This drawing is confidential and copyright of Global Connector Technology, Ltd (GCT). This drawing must not be copied or disclosed without written consent. E & OE



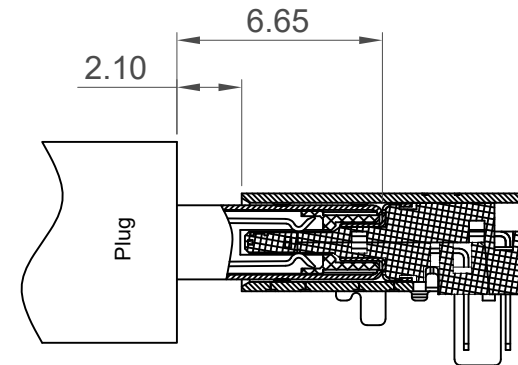
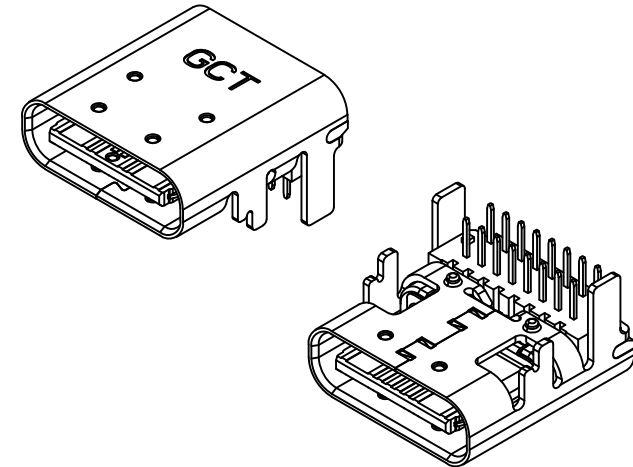
Not to Scale	Drawn By CC	Sheet No. 1/3
--------------	----------------	------------------






Recommended PCB Layout

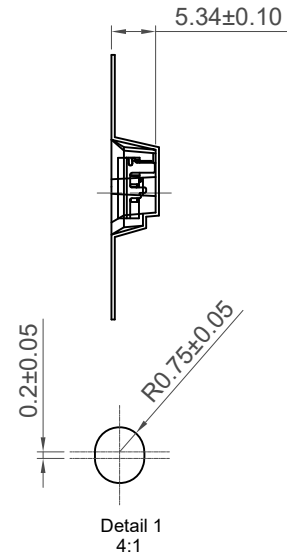
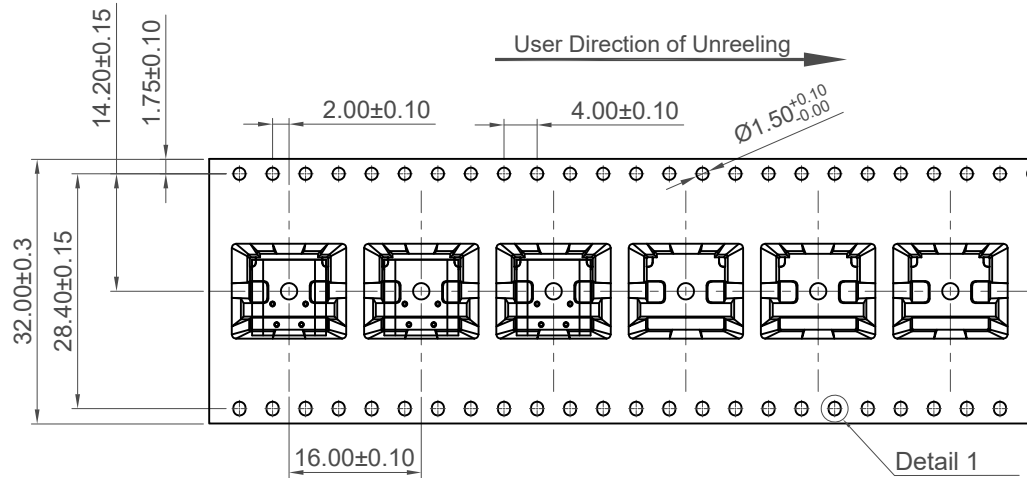
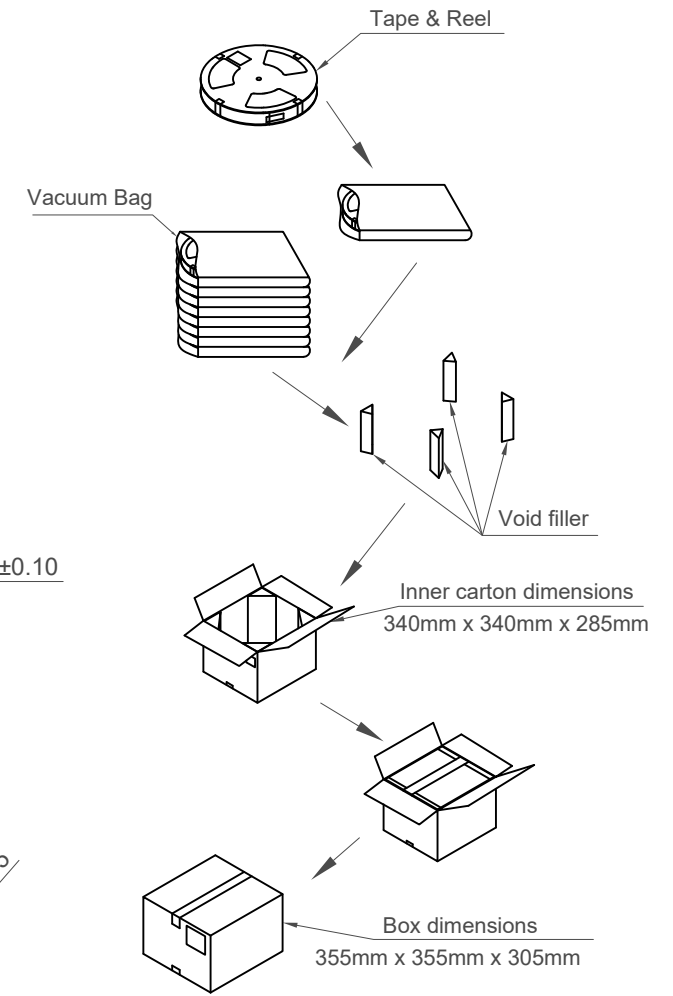
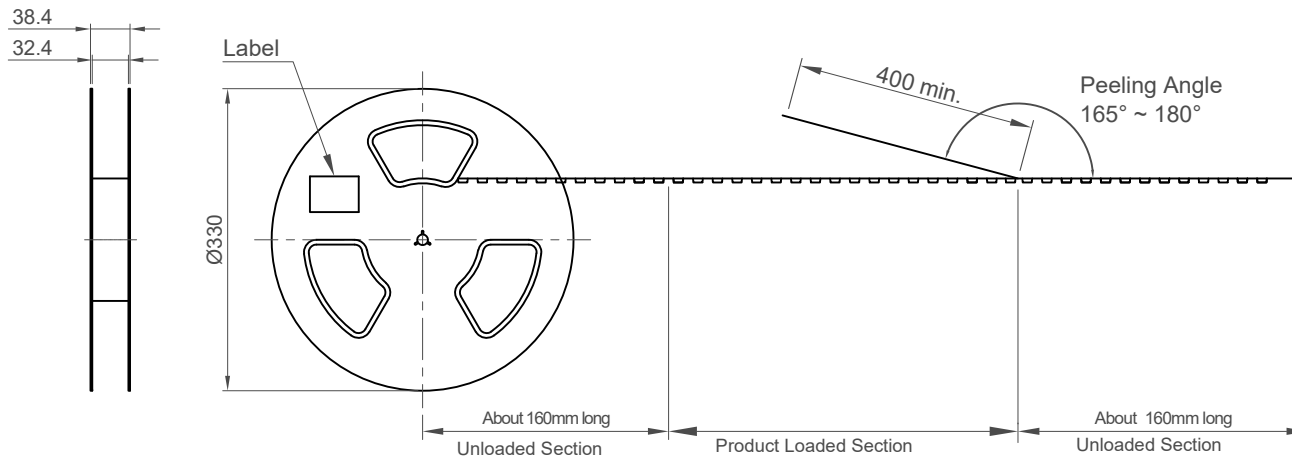
As viewed from component side Tolerance: $\pm 0.05\text{mm}$

 Solder Area  Component Outline



Plug and Receptacle Mating View


Part Number		Product Description		 www.gct.co
USB4085		USB 2.0 Type C Receptacle		
Drawing Date		Dip Type, PCB Top Mount		
9th April 2018				
By	CC	Tolerances (Except as Noted)	Units:	 © This drawing is confidential and copyright of Global Connector Technology, Ltd (GCT). This drawing must not be copied or disclosed without written consent. E & OE
Detail	Drawing Release	Length	Metric (mm)	
Revision	A4	X. ± 0.50	± 2°	
Date	27/07/21	X.X ± 0.30		
		X.XX ± 0.20		
		X.XXX ± 0.10		Not to Scale
				Drawn By
				CC
				Sheet No.
				2/3



Notes:
 Peeling off force of top tape: 0.1-1.3N (Peeling direction as shown)

Materials:
 Carrier Tape: Polystyrene (PS)
 Top Tape: PE
 Reel Tape: Polystyrene (PS)
 Bag: PE

Pcs / Reel	Reels / Carton	Total Quality
700	7	4,900 pcs

Part Number USB4085		Product Description USB 2.0 Type C Receptacle Dip Type, PCB Top Mount		 www.gct.co
Drawing Date 9th April 2018				
By CC	Drawing Release A4	Tolerances (Except as Noted) Length X. ± 0.50 X.X ± 0.30 X.XX ± 0.20 X.XXX ± 0.10	Units: Metric (mm) ± 2° 3rd Angle Projection	
Revision Date	27/07/21			
This drawing is confidential and copyright of Global Connector Technology, Ltd (GCT). This drawing must not be copied or disclosed without written consent. E & OE				Not to Scale Drawn By CC Sheet No. 3/3