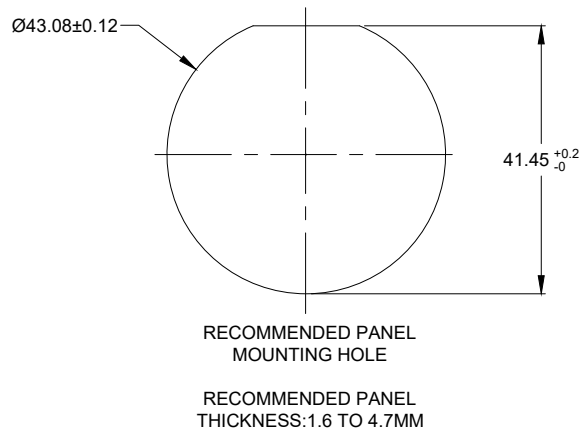
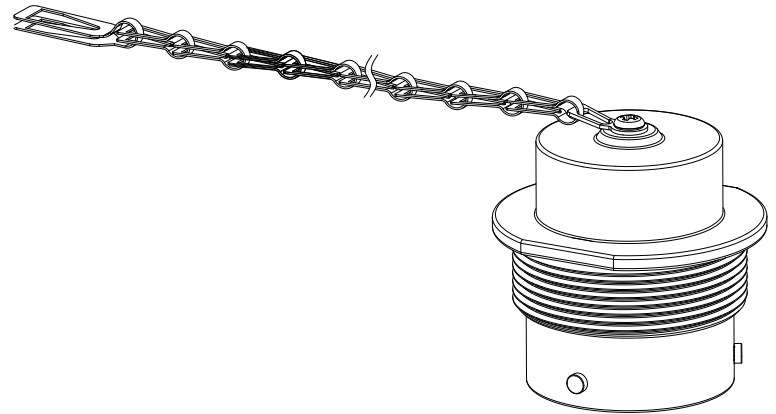
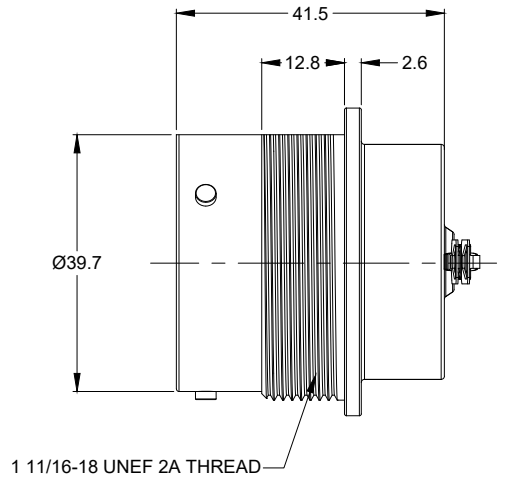
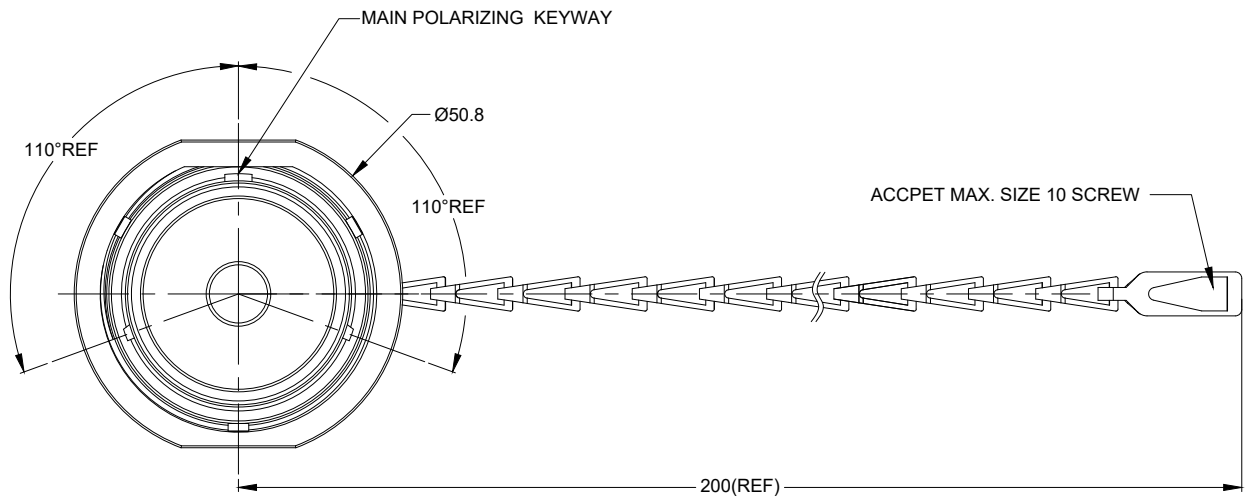


REVISIONS					
REV	ECO	DESCRIPTION	DATE	BY	APPR
A1	--	RELEASE NEW DRAWING	19/OCT/18	ROOKIE	TOMMY



NOTES: UNLESS OTHERWISE SPECIFIED

- MATERIAL:
SHELL: ALUMINUM ALLOY, NICKEL PLATED;
CHAIN: STAINLESS STEEL;
SEAL: SILICONE RUBBER.
- MATE WITH AHDM SERIES SIZE 24 PLUG (AHDM06-24-**** ,
* = ALL MODIFICATION) .
- IP CLASS : IP67&IP69K (MATED CONDITION) .
- RoHS COMPLIANT.
- ALL DIMENSIONS ARE FOR REFERENCE USE ONLY.

TITLE: PROTECTIVE CAP FOR PLUG,AHDM SIZE 24
DWG NO: AHDC34-24
REV: A1
SH: 1
OF: 1

AHDC34-24		DESCRIPTION		ITEM
PART NUMBER				
QUANTITY		MATERIALS LIST		
UNLESS OTHERWISE SPECIFIED		SIGNATURES		DATE
1) All dimensions are in metric(mm).		DRAWN: ROOKIE		19/OCT/18
2) Tolerances are as follows:		CHECKED: ORION		19/OCT/18
1 PL DEC ±0.30 Fractions ±1/64		ENGINEER:		
2 PL DEC ±0.15 Angles ±1°		APPROVAL: TOMMY		19/OCT/18
3) Note reference =		CUSTOMER:		
MATERIAL SPECIFICATIONS:		THIS DRAWING IS SUPPLIED FOR INFORMATION ONLY. DESIGN FEATURES, SPECIFICATIONS AND PERFORMANCE DATA SHOWN HEREON ARE THE PROPERTY OF THE AMPHENOL CORPORATION. NO RIGHTS OF REPRODUCTION ARE IMPLIED. ALL DIMENSIONS ARE SUBJECT TO NORMAL MANUFACTURING VARIATIONS.		
PROCESS SPECIFICATIONS:		SIZE		REVISION
NEXT ASSY:		B C-		A1
		SCALE: NONE		
		DWG NO: AHDC34-24		
		SINE SYSTEMS - www.amphenol-sine.com 44724 Morley Drive Clinton Township, MI 48036		
		PROTECTIVE CAP FOR PLUG,AHDM,SIZE 24		
		SHEET 1 OF 1		