

Pin	Signal	Mating Sequence	Pin	Signal	Mating Sequence
A1	GND	First	B12	GND	First
A2	SSTXp1	Second	B11	SSRXp1	Second
A3	SSTXn1	Second	B10	SSRXn1	Second
A4	Vbus	First	B9	Vbus	First
A5	CC1	Second	B8	SBU2	Second
A6	Dp1	Second	B7	Dn2	Second
A7	Dn1	Second	B6	Dp2	Second
A8	SBU1	Second	B5	CC2	Second
A9	Vbus	First	B4	Vbus	First
A10	SSRXn2	Second	B3	SSTXn2	Second
A11	SSRXp2	Second	B2	SSTXp2	Second
A12	GND	First	B1	GND	First
SHELL	GND		SHELL	GND	

**Specifications**

**Material**

Insulator: LCP, UL 94V-0, Black  
 Contact: Copper Alloy (C1814), T=0.12mm  
 Mid Plate: Stainless Steel (SUS301), T=0.20mm  
 EMI Plate: Stainless Steel (SUS301), T=0.10mm  
 Shell: Stainless Steel (SUS304), T=0.30mm

**Plating**

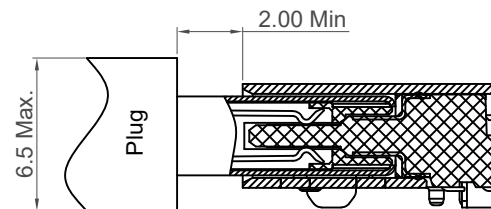
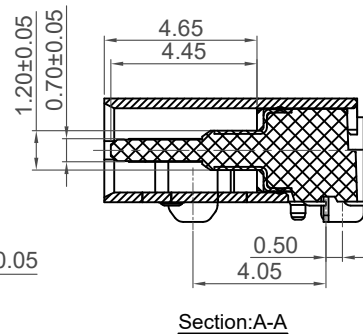
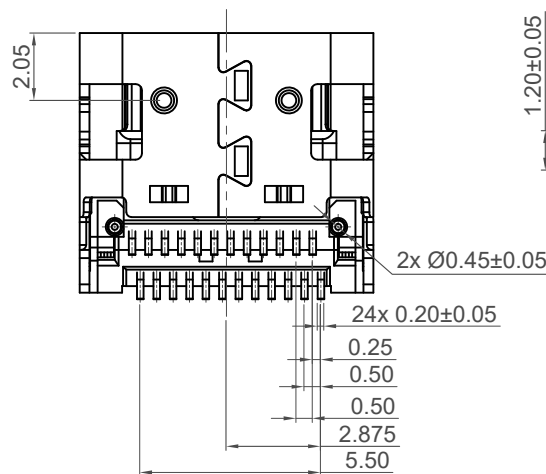
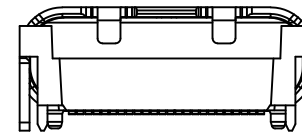
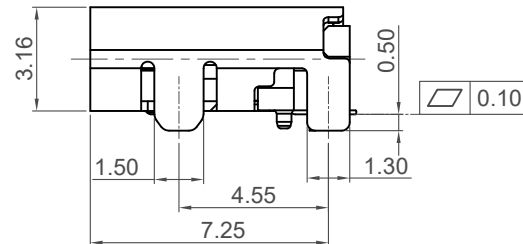
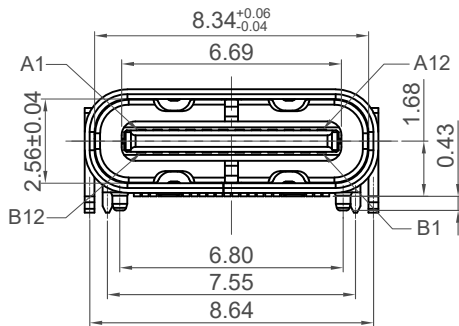
Contact  
 Contact Area: 3u" Au over 50u" min. Nickel  
 Solder Tails: Gold Flash over 50u" min. Nickel  
 Shell: 30u" min. Nickel  
 Mid Plate: 50u" min Sn over 30u" min. Nickel  
 EMI Plate: Cleaning

**Electrical**

Current Rating: 5.00A collectively for Vbus pins  
 6.25A collectively for GND pins  
 1.25A for B5 pin  
 0.25A per pin for all other pins  
 Voltage Rating: 20V DC  
 Contact Resistance: 40mΩ max initial.  
 50mΩ max after test  
 Dielectric Withstanding Voltage: 100V AC  
 Insulation Resistance 100MΩ min

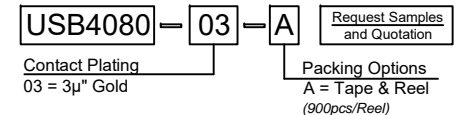
**Mechanical & Environmental**

Operating Temperature: -25°C to +85°C  
 Mating Force: 5 to 20 N.  
 Unmated Force: 6 to 20 N after test  
 Durability: 10,000 cycles

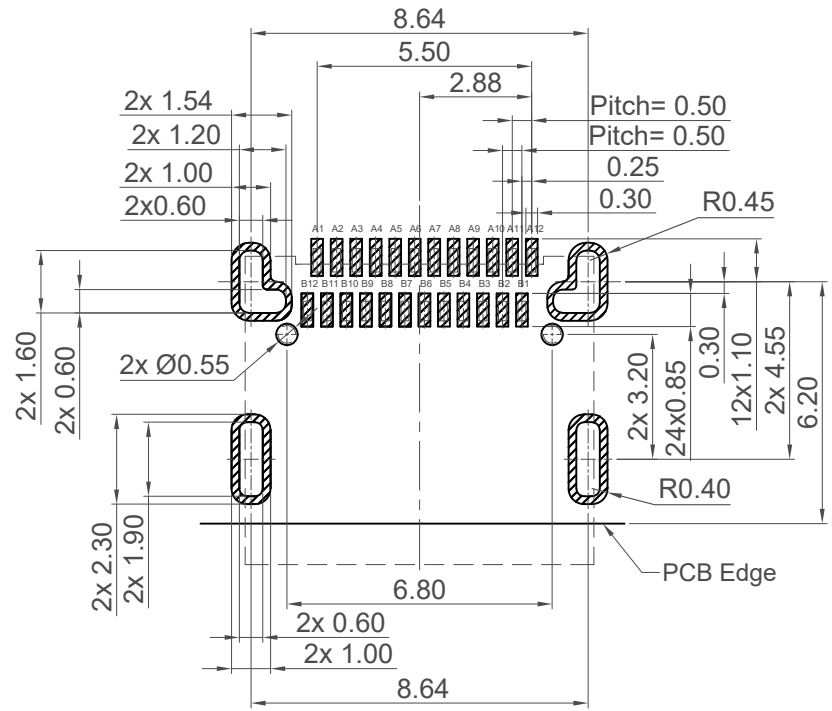


**Plug and Receptacle Mating View**

**Ordering Grid**

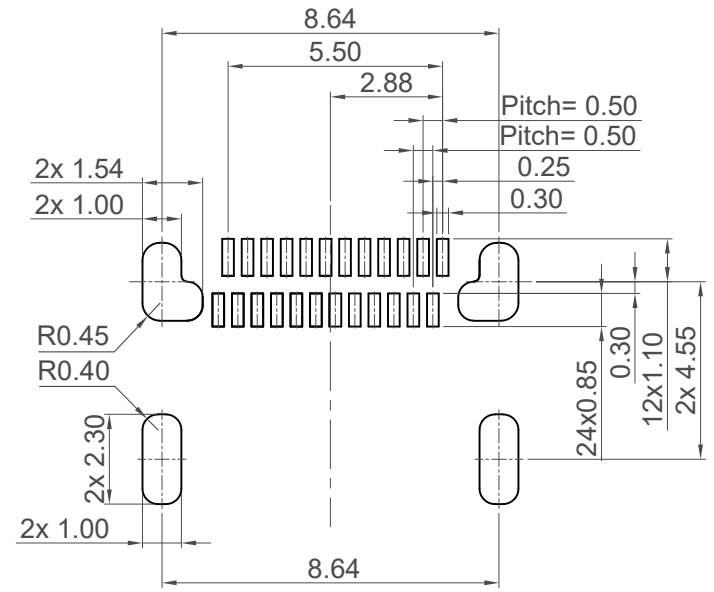


Part Number USB4080		Product Description USB3.2 Gen 2 Type C Receptacle, Dual Row SMT, Horizontal, PCB Top Mount		 www.gct.co
Drawing Date 7th May 2021				
By	CC	Tolerances (Except as Noted)	Units:	 This drawing is confidential and copyright of Global Connector Technology, Ltd (GCT). This drawing must not be copied or disclosed without written consent. E & OE
Detail	Drawing Release	Length X. ± 0.38 X.X ± 0.30 X.XX ± 0.15 X.XXX ± 0.10	Angle X ± 2° X.X ± 1°	
Revision	A1	3rd Angle Projection		
Date	15/07/21			
Not to Scale	Drawn By CC	Sheet No. 1/3		



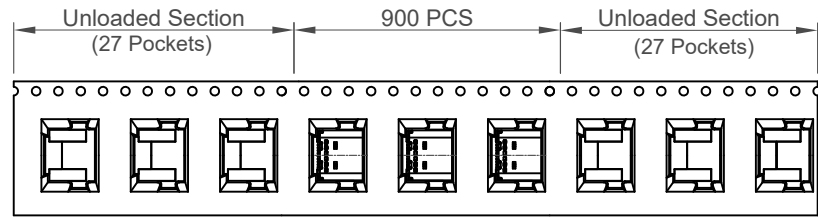
**Recommended PCB Layout**  
As viewed from component side Tolerance:±0.05mm

▨ Solder Area □ Component Outline

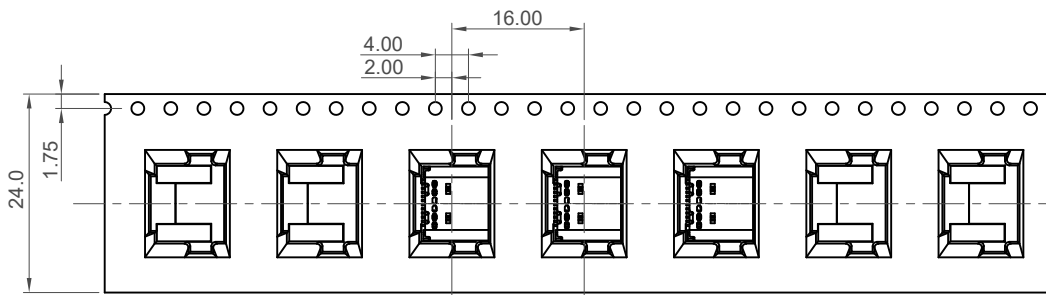
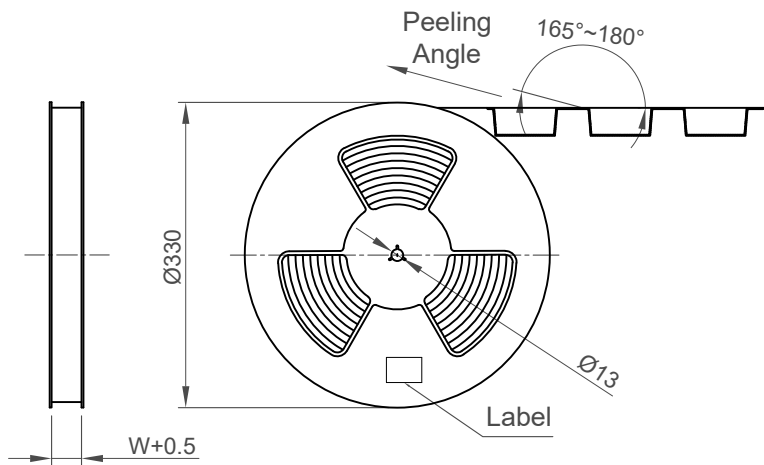


**Recommended Solder mask**  
Thickness = 0.12mm  
Tolerance:±0.05mm

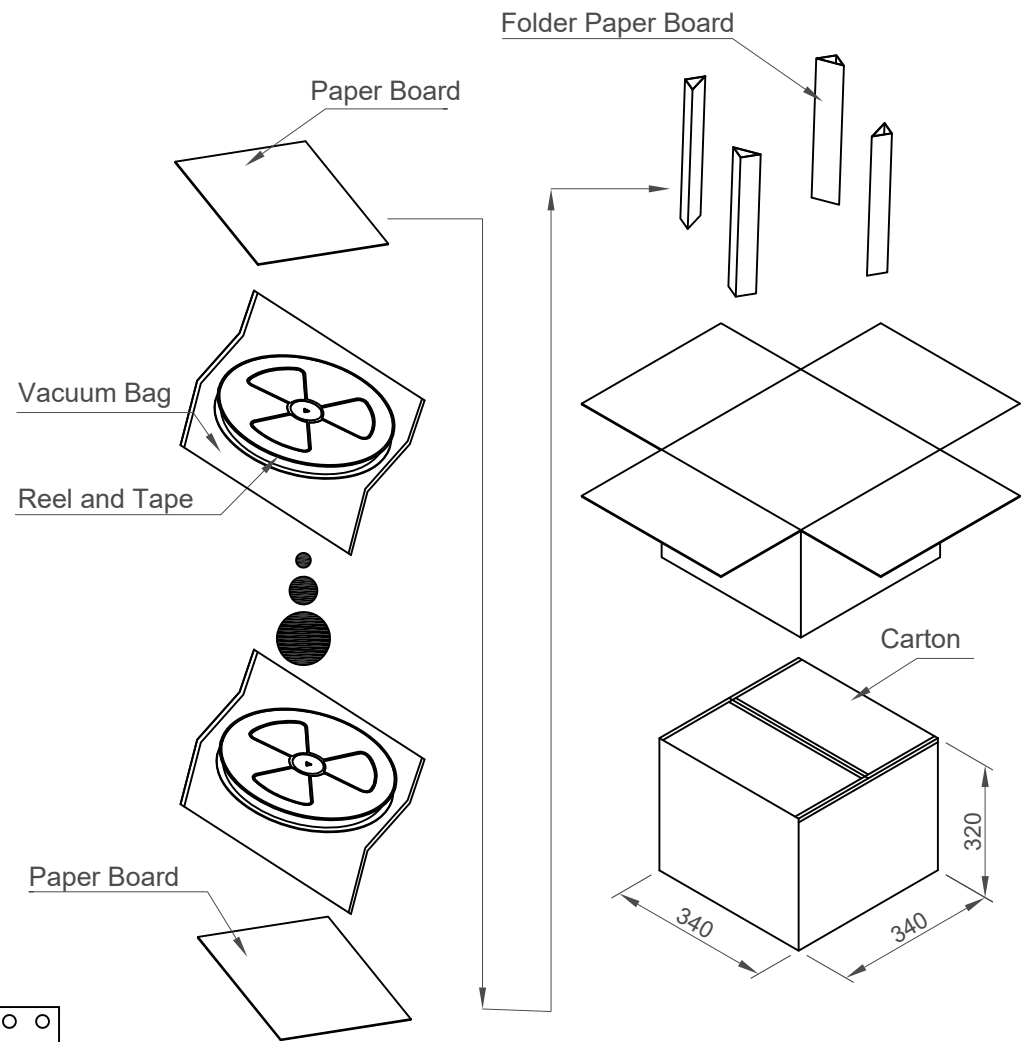
Part Number		Product Description		 <a href="http://www.gct.co">www.gct.co</a>
USB4080		USB3.2 Gen 2 Type C Receptacle, Dual Row SMT, Horizontal, PCB Top Mount		
Drawing Date		7th May 2021		
By	CC	Tolerances (Except as Noted)	Units:	  <small>This drawing is confidential and copyright of Global Connector Technology, Ltd (GCT). This drawing must not be copied or disclosed without written consent. E &amp; OE</small>
Detail	Drawing Release	Length	Angle	
Revision	A1	-	-	
Date	15/07/21	-	-	
Not to Scale	Drawn By	CC	Sheet No.	2/3



Direction of Unreeling



Direction of Unreeling



Pcs / Reel	Reels / Carton	Total Quantity
900	10	9000 pcs

Part Number		Product Description	
USB4080		USB3.2 Gen 2 Type C Receptacle, Dual Row SMT, Horizontal, PCB Top Mount	
Drawing Date		7th May 2021	
By	CC	Tolerances (Except as Noted)	Units:
Detail	Drawing Release	Length	Metric (mm)
Revision	A1	Angle	
Date	15/07/21		



This drawing is confidential and copyright of Global Connector Technology, Ltd (GCT). This drawing must not be copied or disclosed without written consent. E & OE



Not to Scale	Drawn By CC	Sheet No. 3/3
--------------	-------------	---------------