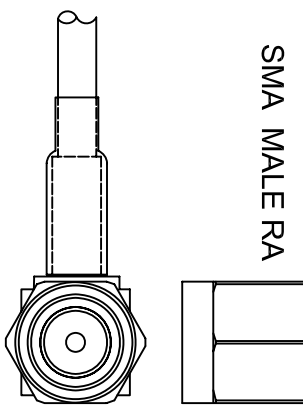
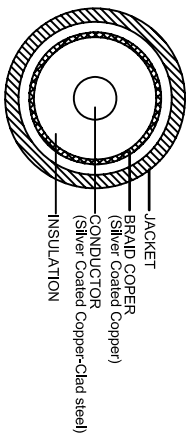
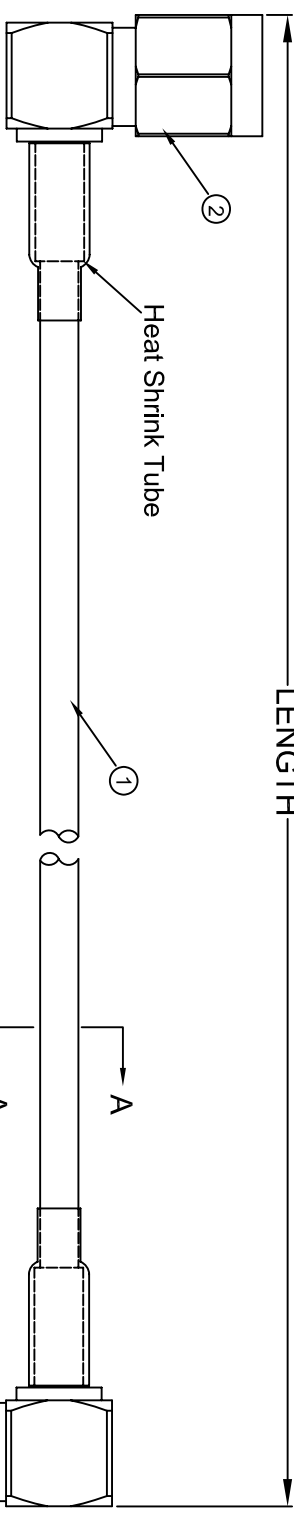
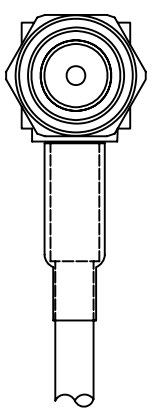


THE INFORMATION CONTAINED IN THIS DRAWING IS THE SOLE PROPERTY OF AMPHENOL CABLES ON DEMAND. ANY REPRODUCTION OR DISCLOSURE TO THIRD PARTIES IN PART OR WHOLE WITHOUT THE EXPRESS WRITTEN PERMISSION OF AMPHENOL CABLES ON DEMAND IS PROHIBITED.

REV.	DESCRIPTION	DATE	APPROVED
A	NEW RELEASE	06/4/2016	
A1	ADD LENGTH: 6"	18/Oct/2016	



NOTES:

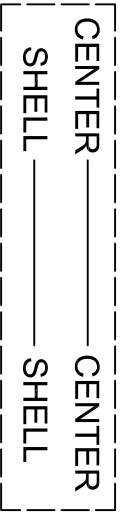
1. CABLE:[26AWG(7/0, 17mm)*1C+BRAID(16*5/0, 10mm)]
INSULATION:FEP(Teflon) OD= 1.5±0.05mm ;COLOR:NATURAL
JACKET:FEP(Teflon) ;OD=Ø2.54±0.10mm
COLOR:BROWN TRANSPARENT.
- (The outer jacket operating temperature can be 200 degree C)
- MARKING:RG316/U COAXIAL CABLE 50 OHM RoHS
2. CONNECTOR:SMA Male RA GOLD-PLATING
3. OPEN/SHORT MISS WIRE TEST 100%
4. CONDUCTOR RESISTANCE $\leq 375\Omega/km$
5. INSULATION RESISTANCE $\geq 2M\Omega$ DC300V 0.01Sec

ALL MATERIALS SHOULD ACCORD WITH ROHS STANDARD.

LENGTH & P/N Table

LENGTH	P/N
6 inch(152±15mm)	CO-316RASMAX2-000.6
1FT(305±20mm)	CO-316RASMAX2-001
2FT(610±30mm)	CO-316RASMAX2-002
3FT(914±30mm)	CO-316RASMAX2-003
4FT(1219±30mm)	CO-316RASMAX2-004
5FT(1524±30mm)	CO-316RASMAX2-005
7.5FT(2286±40mm)	CO-316RASMAX2-007.5
10FT(3048±40mm)	CO-316RASMAX2-010

PIN OUT:



UNLESS OTHERWISE SPECIFIED DIMENSIONS ARE IN INCHES TOLERANCES ARE:		EAR NO.		Amphenol Cables on Demand	
DECIMALS	ANGLES	DRAWN	DATE	20 VALLEY ST. ENHOCOTT, NY 13760	
.X ±.X	±.X°	LF	18/Oct/2016	RG 316/U SMA RA Male / SMA RA Male	
.XX ±.XX	±.XX°	CHECKED	BA		
.XXX ±.XXX	±.XXX°	RESP ENG	18/Oct/2016		
THIRD ANGLE PROJECTION		DESIGN		SIZE	DWG. NO.
		MFG ENG		A	CO-316RASMAX2-XXX
				SCALE	SHEET
					OF
					REV.
					A1

NOTES: UNLESS OTHERWISE SPECIFIED