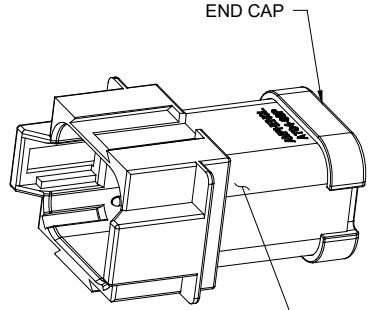
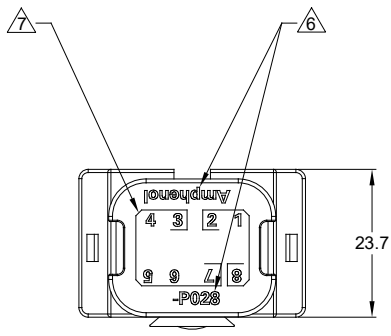
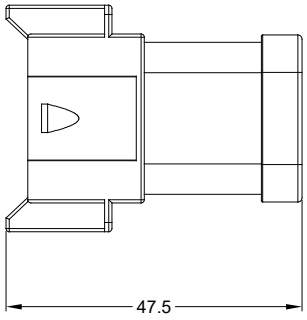
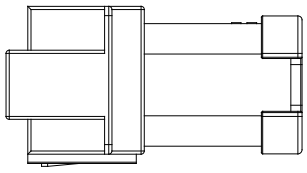
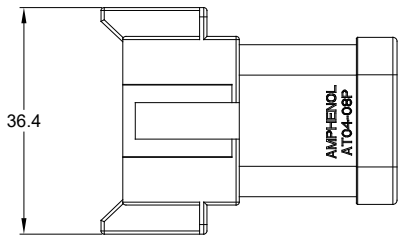
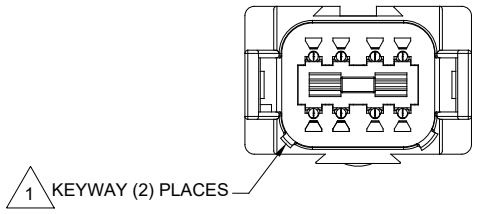


REVISIONS					
REV	ECO	DESCRIPTION	DATE	BY	APPR
A1	-	RELEASE NEW DRAWING	10APR18	ROOKIE	TOMMY
A2	-	REVISED DESCRIPTION	12JUN19	JAH	DH



1 REFER TO SHEET 2 FOR AVAILABLE CONNECTOR COLORS



1 KEYWAY (2) PLACES

NOTES: UNLESS OTHERWISE SPECIFIED

1 SEE SHEET 2 FOR KEY ARRANGEMENTS AND COLORS.

2. MATERIAL:
HOUSING: THERMOPLASTIC
SEAL: SILICONE RUBBER
CONTACT: COPPER ALLOY

3. MODIFICATIONS: 3 PIN BUSBAR AND 5 PIN BUSBAR WITH NICKEL PLATED

4. SPECIFICATIONS:
4.1 CURRENT RATING: 13 AMPS MAXIMUM FOR THE 3 PIN BUSBAR
26 AMPS MAXIMUM FOR THE 5 PIN BUSBAR
4.2 OPERATING TEMPERATURE: -55°C TO +125°C.
4.3 DIELECTRIC WITHSTANDING VOLTAGE: LESS THAN 2 MILLIAMPS CURRENT LEAKAGE @ 1500 VOLTS AC.
4.4 INSULATION RESISTANCE: 1000 MEGOHM MIN @ 25°C.
4.5 MOISTURE RESISTANCE: IP67 (MATED CONDITION).
4.6 MATING CYCLE DURABILITY: 100 CYCLES
4.7 RoHS COMPLIANT

5. MATING PART: AT06-08SX* PLUG
(X=A,B,C,D KEYS * = AVAILABLE MODIFICATIONS)

6. ORIENTATION OF "Amphenol" AND "-P028" TO BE OPTIONAL

7. BORDERS SIGNIFY THAT PINS 1,2,8 ARE BUSSED TOGETHER WITH A 3 PIN BUSBAR AND PINS 3,4,5,6,7 ARE BUSSED TOGETHER WITH A 5 PIN BUSBAR.

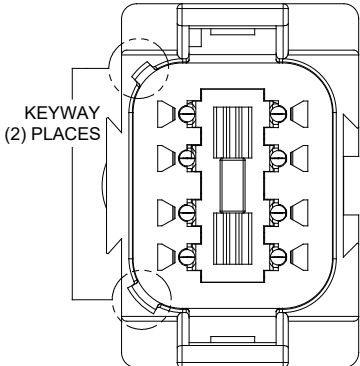
8. ALL DIMENSIONS ARE FOR REFERENCE USE ONLY.

QUANTITY	SEE SHEET 2 PART NUMBER	REF: DT04-08PA-P028 & DT04-08PB-P028 DESCRIPTION	ITEM
MATERIALS LIST			
UNLESS OTHERWISE SPECIFIED 1) All dimensions are in metric (mm). 2) Tolerances are as follows: 1 PL DEC ±0.30 2 PL DEC ±0.15 3 PL DEC ±0.08 3) Note reference = 1		SIGNATURES DRAWN: ROOKIE CHECKED: ORION ENGINEER: APPROVAL: TOMMY CUSTOMER:	DATE 10APR18 10APR18 10APR18
MATERIAL SPECIFICATIONS:		 Sine Systems - www.amphenol-sine.com 44724 Morley Drive Clinton Township, MI 48036	
PROCESS SPECIFICATIONS:		HYPERBUSS AT 8WAY RECEPTACLE 5&3 PIN BUSBAR NICKEL-PLATED	
NEXT ASSY:	SIZE: B C-	TYPE: AT04-08PX-P028	REVISION: A2
SCALE: NONE		SHEET 1 OF 2	

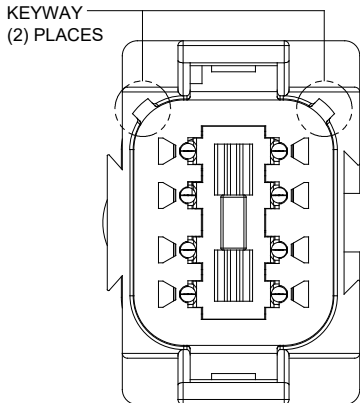
TITLE: HYPERBUSS AT 8WAY RECP 5&3 PIN BUSBAR NICKEL-PLATED
DWG NO: AT04-08PX-P028
REV: A2
SH: 1
OF: 2

REVISIONS					
REV	ECO	DESCRIPTION	DATE	BY	APPR
A1	-	RELEASE NEW DRAWING	10APR18	ROOKIE	TOMMY
A2	-	REVISED DESCRIPTION	12JUN19	JAH	DH

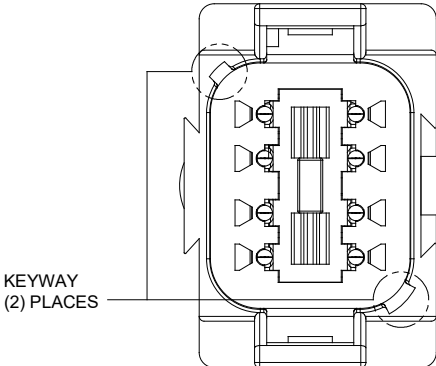
P/N AT04-08PA-P028
KEY-A CONFIGURATION
STANDARD COLOR: GREY



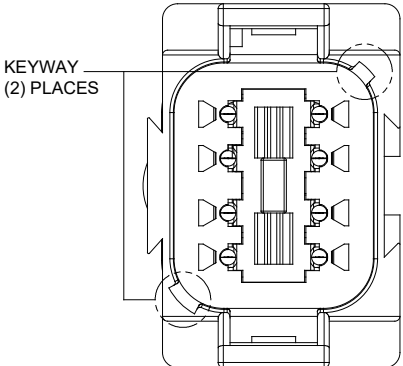
P/N AT04-08PB-P028
KEY-B CONFIGURATION
STANDARD COLOR: BLACK



P/N AT04-08PC-P028
KEY-C CONFIGURATION
STANDARD COLOR: GREEN



P/N AT04-08PD-P028
KEY-D CONFIGURATION
STANDARD COLOR: BROWN



QUANTITY	PART NUMBER	DESCRIPTION	ITEM										
MATERIALS LIST													
UNLESS OTHERWISE SPECIFIED 1) All dimensions are in metric(mm). 2) Tolerances are as follows: 1 PL DEC ±0.30 2 PL DEC ±0.15 3 PL DEC ±0.08 3) Note reference =		<table border="1"> <tr> <th>SIGNATURES</th> <th>DATE</th> </tr> <tr> <td>DRAWN: ROOKIE</td> <td>10APR18</td> </tr> <tr> <td>CHECKED: ORION</td> <td>10APR18</td> </tr> <tr> <td>ENGINEER:</td> <td></td> </tr> <tr> <td>APPROVAL: TOMMY</td> <td>10APR18</td> </tr> </table>	SIGNATURES	DATE	DRAWN: ROOKIE	10APR18	CHECKED: ORION	10APR18	ENGINEER:		APPROVAL: TOMMY	10APR18	<h1>Amphenol</h1> <p>Sine Systems - www.amphenol-sine.com 44724 Morley Drive Clinton Township, MI 48036</p>
SIGNATURES	DATE												
DRAWN: ROOKIE	10APR18												
CHECKED: ORION	10APR18												
ENGINEER:													
APPROVAL: TOMMY	10APR18												
MATERIAL SPECIFICATIONS: PROCESS SPECIFICATIONS: NEXT ASSY:		CUSTOMER: THIS DRAWING IS SUPPLIED FOR INFORMATION ONLY. DESIGN FEATURES, SPECIFICATIONS AND PERFORMANCE DATA SHOWN HEREON ARE THE PROPERTY OF THE AMPHENOL CORPORATION. NO RIGHTS OF REPRODUCTION ARE IMPLIED. ALL DIMENSIONS ARE SUBJECT TO NORMAL MANUFACTURING VARIATIONS.											
		<table border="1"> <tr> <th>SIZE</th> <th>TYPE</th> <th>DWG NO.</th> <th>REVISION</th> </tr> <tr> <td>B</td> <td>C-</td> <td>AT04-08PX-P028</td> <td>A2</td> </tr> </table>	SIZE	TYPE	DWG NO.	REVISION	B	C-	AT04-08PX-P028	A2			
SIZE	TYPE	DWG NO.	REVISION										
B	C-	AT04-08PX-P028	A2										
		SCALE: NONE	SHEET 2 OF 2										

TITLE: HYPERBUSS AT 8WAY RECP-5&3 PIN BUSBAR NICKEL-PLATED
 DWG NO: AT04-08PX-P028
 REV: A2
 SH: 2
 OF: 2