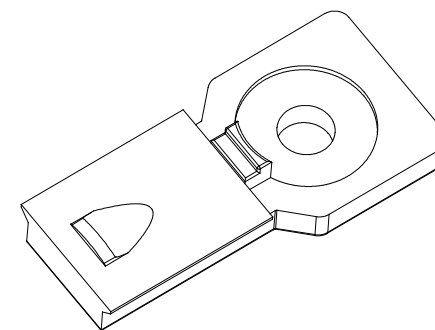
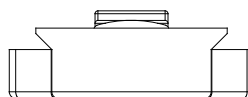
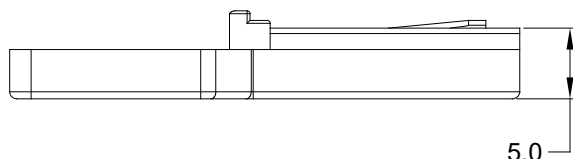
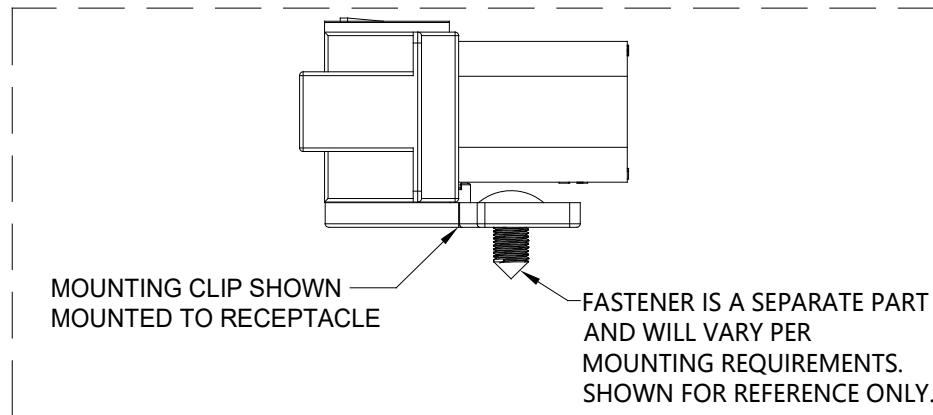
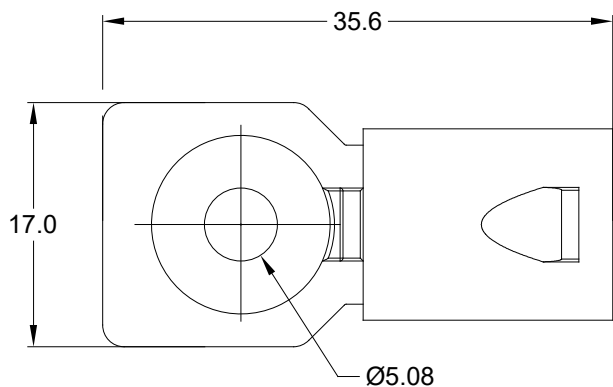


REVISIONS

REV	ECO	DESCRIPTION	DATE	BY	APPR
A1	--	RELEASE NEW PRODUCT	06/SEP/19	ROOKIE	TOMMY



NOTES: UNLESS OTHERWISE SPECIFIED

1. MATERIAL: THERMOPLASTIC; COLOR: GRAY
2. RoHS COMPLIANT
3. USE WITH CONNECTORS
A.AT04-08P*(* = MODIFICATIONS AND/OR COLORS)
4. ALL DIMENSIONS ARE FOR REFERENCE USE ONLY.

AT11-027-0805		REF:1011-027-0805																			
QUANTITY	PART NUMBER	DESCRIPTION	ITEM																		
MATERIALS LIST																					
<p>UNLESS OTHERWISE SPECIFIED</p> <p>1) All dimensions are in metric(mm).</p> <p>2) Tolerances are as follows:</p> <table border="0"> <tr> <td>1 PL DEC ±0.30</td> <td>Fractions ±1/64</td> </tr> <tr> <td>2 PL DEC ±0.15</td> <td>Angles ±1°</td> </tr> <tr> <td>3 PL DEC ±0.08</td> <td></td> </tr> </table> <p>3) Note reference = </p>		1 PL DEC ±0.30	Fractions ±1/64	2 PL DEC ±0.15	Angles ±1°	3 PL DEC ±0.08		<table border="1"> <tr> <th>SIGNATURES</th> <th>DATE</th> </tr> <tr> <td>DRAWN: ROOKIE</td> <td>06/SEP/19</td> </tr> <tr> <td>CHECKED: ORION</td> <td>06/SEP/19</td> </tr> <tr> <td>ENGINEER:</td> <td></td> </tr> <tr> <td>APPROVAL: TOMMY</td> <td>06/SEP/19</td> </tr> <tr> <td>CUSTOMER:</td> <td></td> </tr> </table>		SIGNATURES	DATE	DRAWN: ROOKIE	06/SEP/19	CHECKED: ORION	06/SEP/19	ENGINEER:		APPROVAL: TOMMY	06/SEP/19	CUSTOMER:	
1 PL DEC ±0.30	Fractions ±1/64																				
2 PL DEC ±0.15	Angles ±1°																				
3 PL DEC ±0.08																					
SIGNATURES	DATE																				
DRAWN: ROOKIE	06/SEP/19																				
CHECKED: ORION	06/SEP/19																				
ENGINEER:																					
APPROVAL: TOMMY	06/SEP/19																				
CUSTOMER:																					
MATERIAL SPECIFICATIONS:		<p style="text-align: center;">Amphenol</p> <p style="text-align: center;">Sine Systems - www.amphenol-sine.com 44724 Morley Drive Clinton Township, MI 48036</p> <p style="text-align: center;">MOUNTING CLIP, AT 8 POS RECEPTACLE PLASTIC, GRAY</p>																			
PROCESS SPECIFICATIONS:																					
NEXT ASSY:																					
		<table border="1"> <tr> <td>SIZE</td> <td>TYPE</td> <td>DWG NO:</td> <td>REVISION</td> </tr> <tr> <td>A</td> <td>C-</td> <td>AT11-027-0805</td> <td>A1</td> </tr> </table>	SIZE	TYPE	DWG NO:	REVISION	A	C-	AT11-027-0805	A1											
SIZE	TYPE	DWG NO:	REVISION																		
A	C-	AT11-027-0805	A1																		
		SCALE: NONE	SHEET 1 OF 1																		