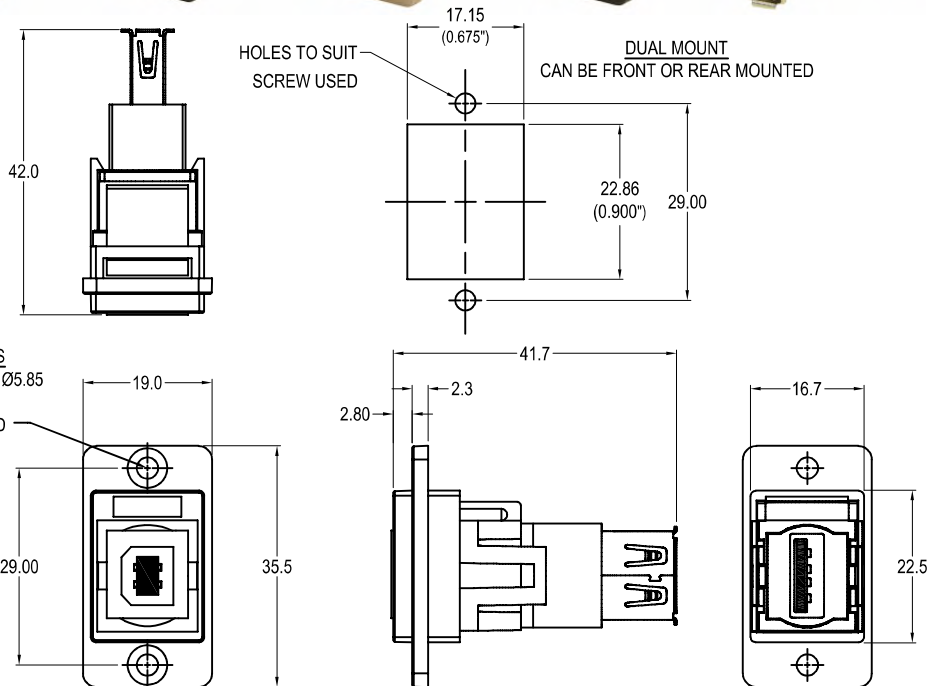


# CLIFF

## DUALSLIM USB2.0 B-A METAL FRAME FEEDTHROUGH CONNECTOR

Can be front or rear mounted in the panel



4x HOLE VARIANTS  
 Ø3.2mm CSK 90° x Ø5.85  
 M3 x 0.5 THREAD  
 #4-40 UNC THREAD  
 PLAIN Ø3.2 HOLES

### VARIANTS

Part No.

<b>CP30707NM</b>	DUALSLIM USB2.0 B-A Nickel frame, CSK holes
<b>CP30707NMB</b>	DUALSLIM USB2.0 B-A Black metal frame, CSK holes
<b>CP30707NM3</b>	DUALSLIM USB2.0 B-A Nickel frame, M3 holes
<b>CP30707NMB3</b>	DUALSLIM USB2.0 B-A Black metal frame, M3 holes
<b>CP30707NM440</b>	DUALSLIM USB2.0 B-A Nickel frame, #4-40 holes
<b>CP30707NMB440</b>	DUALSLIM USB2.0 B-A Black metal frame, #4-40 holes
<b>CP30707NMX1</b>	DUALSLIM USB2.0 B-A Nickel frame, Ø3.2 PLAIN holes
<b>CP30707NMBX1</b>	DUALSLIM USB2.0 B-A Black metal frame, Ø3.2 PLAIN holes

### Feedthrough Features

- Fits standard rectangular cutout.
- Front or rear mounting through the panel.
- Various hole mounting options.
- No soldering or punch termination. Use standard cable for each connector style.
- Low rear profile.

### General:

Please note: Functionality is affected by cable quality, length and

### Material:

1. Insert: ABS
2. Frame: Diecast, Nickel or Black plated
3. Shell: Nickel plated steel
4. Contacts: Gold Plated

### Notes:

1. Voltage rating: 30V AC
2. Current rating: 1.5 A max
3. Contact resistance: 50mΩ max
4. Insulation resistance: 20MΩ min
5. Dielectric withstanding voltage: 500V AC
6. Operating Temperature: -20°C to 50°C