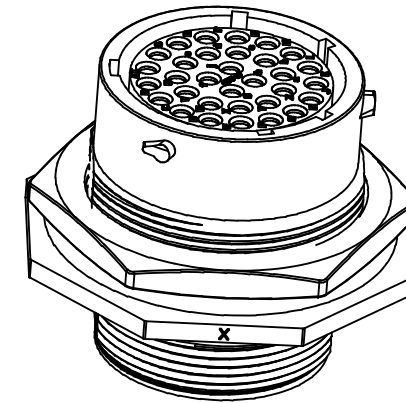
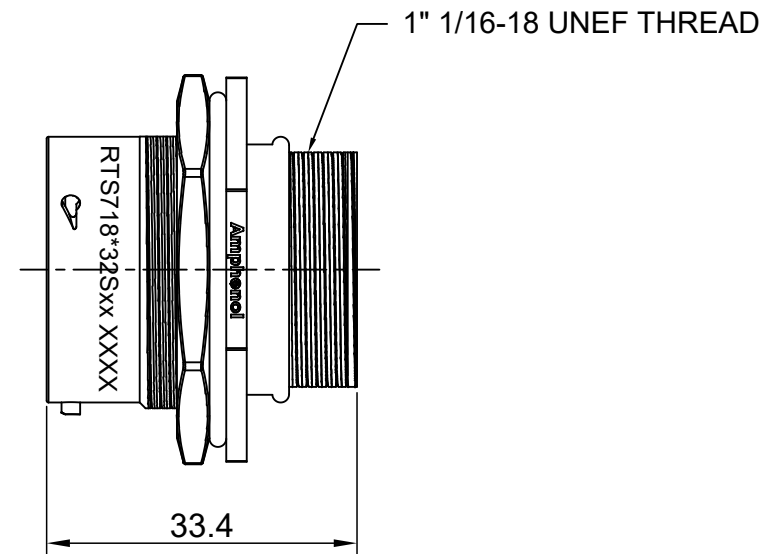
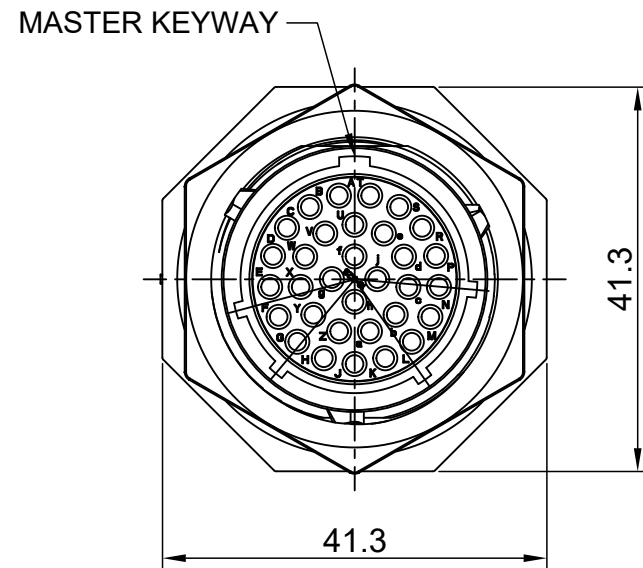
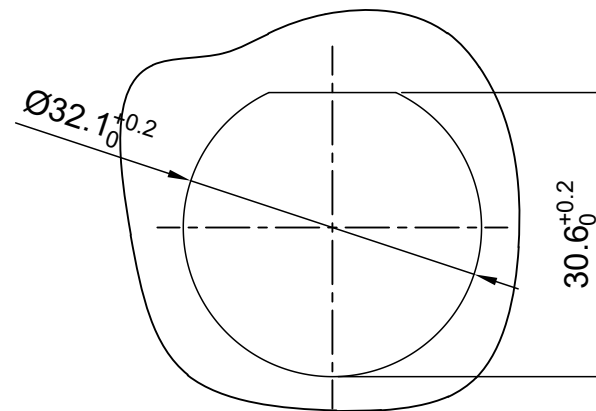


| REVISIONS | | | | | |
|-----------|-----|------------------|-------------|-------|-------|
| REV | ECO | DESCRIPTION | DATE | BY | APPR |
| A1 | -- | RELEASED DRAWING | Dec-26-2016 | Ben | Tommy |
| A2 | -- | UPDATE NOTES | Jul-06-2017 | Nick | Tommy |
| A3 | -- | UPDATE DRAWING | Mar-21-2018 | White | Tommy |



NOTES : (UNLESS OTHERWISE SPECIFIED)

1. MATERIAL :
 - SHELL : THERMOPLASTIC , UL94 V-0.
 - INSERT : THERMOPLASTIC , UL94 V-0.
 - O-RING : NBR/SILICONE RUBBER.
 - FIXED RUBBER: NBR.
 - SEAL GASKET : NBR/SILICONE RUBBER.
 - JAM NUT : ALUMINIUM ALLOY , BLACK ANODIZING.
2. SPECIFICATIONS :
 - 2.1 RATED CURRENT :
 - 2.1.1 STAMPED CONTACT 5A (MAX).
 - 2.1.2 MACHINED CONTACT 7.5A(MAX).
 - 2.2 RATED VOLTAGE : 250V(AC/DC).
 - 2.3 OPERATING TEMPERATURE : SEE TABLE.
 - 2.4 DIELECTRIC WITHSTANDING VOLTAGE : LESS THAN 2 MILLIAMPS CURRENT LEAKAGE@1500 VOLTS AC.
 - 2.5 INSULATION RESISTANCE : 5000 MEGOHMS MIN.
 - 2.6 IP--CLASS : IP67 AND IP69K IN THE MATED CONDITION, PANEL EXTERNAL.
 - 2.7 MATING CYCLES DURABILITY : 500 CYCLES MIN.
 - 2.8 RoHS COMPLIANT.
3. SUITABLE CONTACTS : 20# CONTACT.
4. ALL DIMENSIONS ARE FOR REFERENCE USE ONLY.



PANEL CUT OUT REFERENCE

| KEY | PART NUMBER | |
|-----|-------------|---------------|
| | | -40°C ~ 105°C |
| N | RTS718N32S | RTS718N32S03 |

| QUANTITY | PART NUMBER | DESCRIPTION | ITEM |
|--|-------------|--|--|
| MATERIALS LIST | | | |
| UNLESS OTHERWISE SPECIFIED 1) All dimensions are in metric(mm). 2) Tolerances are as follows: 1 PL DEC ±0.30 2 PL DEC ±0.15 3 PL DEC ±0.08 3) Note reference = | | SIGNATURES DRAWN: White CHECKED: Tod ENGINEER: APPROVAL: Tommy | DATE Mar-21-2018 Mar-21-2018 Mar-21-2018 |
| MATERIAL SPECIFICATIONS: | | Amphenol Sine Systems - www.amphenol-sine.com 44724 Morley Drive Clinton Township, MI 48036 | |
| PROCESS SPECIFICATIONS: | | ECO-MATE, RECEPTACLE, JAM NUT, SIZE 18, 32 POS, SOCKET. | |
| NEXT ASSY: | | THIS DRAWING IS SUPPLIED FOR INFORMATION ONLY. DESIGN FEATURES, SPECIFICATIONS AND PERFORMANCE DATA SHOWN HEREON ARE THE PROPERTY OF THE AMPHENOL CORPORATION. NO RIGHTS OF REPRODUCTION ARE IMPLIED. ALL DIMENSIONS ARE SUBJECT TO NORMAL MANUFACTURING VARIATIONS. | SIZE: B C- TYPE: NONE DWG NO: RTS718*32Sxx REVISION: A3 |
| | | SCALE: NONE | SHEET 1 OF 1 |

TITLE: ECO-MATE, RECEPTACLE, JAM NUT, SIZE 18, 32 POS, SOCKET.

DWG NO:

RTS718*32Sxx

REV: A3

SH: 1

OF: 1

ecomate® RM/RSSM/Aquarius™ - Contact Size 20 Options

| Crimp Contacts, Machined | | | | |
|--------------------------|------------|-------|-------------------------------|------------|
| Part Number | | AWG | Wire Range (mm ²) | Plating |
| Male | Female | | | |
| MP20W23F | MS20W23F | 22-20 | 0.34-0.50 | Gold Flash |
| MP20W23G5 | MS20W23G5 | 22-20 | 0.34-0.50 | Gold 5μ" |
| MP20W23G10 | MS20W23G10 | 22-20 | 0.34-0.50 | Gold 10μ" |
| MP20W23G15 | MS20W23G15 | 22-20 | 0.34-0.50 | Gold 15μ" |
| MP20W23G30 | MS20W23G30 | 22-20 | 0.34-0.50 | Gold 30μ" |
| MP24W23F | MS24W23F | 26-24 | 0.13-0.25 | Gold Flash |
| MP24W23G5 | MS24W23G5 | 26-24 | 0.13-0.25 | Gold 5μ" |
| MP24W23G10 | MS24W23G10 | 26-24 | 0.13-0.25 | Gold 10μ" |
| MP24W23G15 | MS24W23G15 | 26-24 | 0.13-0.25 | Gold 15μ" |
| MP24W23G30 | MS24W23G30 | 26-24 | 0.13-0.25 | Gold 30μ" |
| MP28W23F | MS28W23F | 30-28 | 0.05-0.08 | Gold Flash |
| MP28W23G5 | MS28W23G5 | 30-28 | 0.05-0.08 | Gold 5μ" |
| MP28W23G10 | MS28W23G10 | 30-28 | 0.05-0.08 | Gold 10μ" |
| MP28W23G15 | MS28W23G15 | 30-28 | 0.05-0.08 | Gold 15μ" |
| MP28W23G30 | MS28W23G30 | 30-28 | 0.05-0.08 | Gold 30μ" |

| Tooling, Machined | |
|-------------------|--|
| Part Number | Description |
| QXRT20 | Contact Extraction Tool, #20 (Ø 1.0) Contact |
| MFY-3959 | Hand Crimp Tool for Machined Contacts |
| MFY-3960 | Pneumatic Crimp Tool for Machined Contact |

| Plating Options, All | |
|----------------------|--|
| Symbol | Plating |
| T | Tin Plated (for Stamped & Formed Contacts) |
| S | Silver Plated 5Um (for Machined Contacts) |
| F | Gold Plated |
| G5 | Gold Plated (Thickness 5μ") |
| G10 | Gold Plated (Thickness 10μ") |
| G15 | Gold Plated (Thickness 15μ") |
| G30 | Gold Plated (Thickness 30μ") |

| Crimp Contacts, Stamped & Formed | | | | |
|----------------------------------|-----------|-------|-------------------------------|------------|
| Part Number | | AWG | Wire Range (mm ²) | Plating |
| Male | Female | | | |
| SP20W2F | SS20W2F | 22-20 | 0.34-0.50 | Gold Flash |
| SP20W2G5 | SS20W2G5 | 22-20 | 0.34-0.50 | Gold 5μ" |
| SP20W2G10 | SS20W2G10 | 22-20 | 0.34-0.50 | Gold 10μ" |
| SP20W2G15 | SS20W2G15 | 22-20 | 0.34-0.50 | Gold 15μ" |
| SP20W2G30 | SS20W2G30 | 22-20 | 0.34-0.50 | Gold 30μ" |
| SP24W2F | SS24W2F | 26-24 | 0.14-0.25 | Gold Flash |
| SP24W2G5 | SS24W2G5 | 26-24 | 0.14-0.25 | Gold 5μ" |
| SP24W2G10 | SS24W2G10 | 26-24 | 0.14-0.25 | Gold 10μ" |
| SP24W2G15 | SS24W2G15 | 26-24 | 0.14-0.25 | Gold 15μ" |
| SP24W2G30 | SS24W2G30 | 26-24 | 0.14-0.25 | Gold 30μ" |
| SP28W2F | SS28W2F | 30-28 | 0.05-0.08 | Gold Flash |
| SP28W2G5 | SS28W2G5 | 30-28 | 0.05-0.08 | Gold 5μ" |
| SP28W2G10 | SS28W2G10 | 30-28 | 0.05-0.08 | Gold 10μ" |
| SP28W2G15 | SS28W2G15 | 30-28 | 0.05-0.08 | Gold 15μ" |
| SP28W2G30 | SS28W2G30 | 30-28 | 0.05-0.08 | Gold 30μ" |

| Tooling, Stamped & Formed | |
|---------------------------|--|
| Part Number | Description |
| QXRT20 | Contact Extraction Tool, #20 (Ø 1.0) Contact |
| MFY-3958 | Hand Tool, Stamped & Formed Contact, Size 20, 20-28AWG |
| MFY-3957 | Crimp Die for Stamped & Formed Contact |

| Misc Tooling, All | |
|-------------------|----------------------------|
| Part Number | Description |
| CA-4020-59 | Sealing Plug, Size 16 & 20 |

| Standard Quantity Order Options | |
|---------------------------------|-------------------|
| Machined | Stamped & Formed |
| Bulk Package, 500 Pieces | Reel, 3000 Pieces |