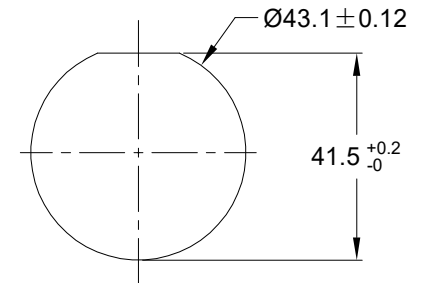
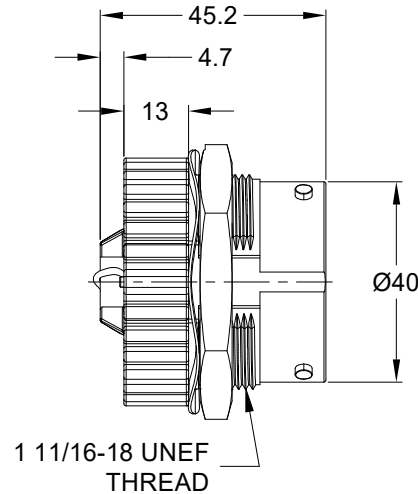
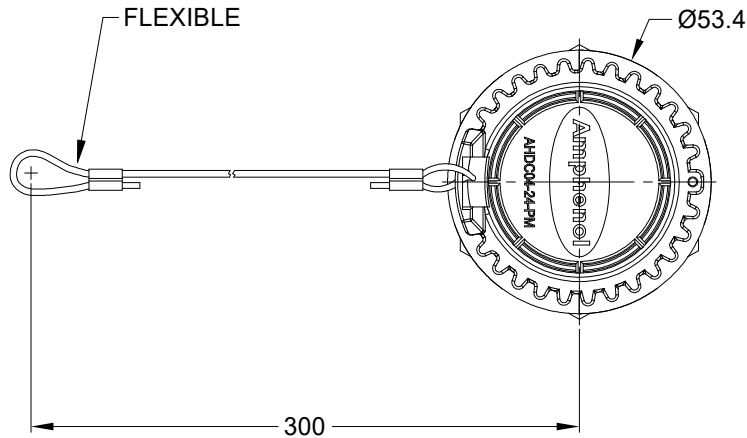


REVISIONS

REV	ECO	DESCRIPTION	DATE	BY	APPR
A1		RELEASE NEW DRAWING	26DEC17	SULLEN	TOMMY
A2		CHANGE 230 TO 300	09JUL21	MILO	TOMMY



RECOMMENDED PANEL MOUNTING HOLE
RECOMMENDED PANEL THICKNESS: 1.6 TO 4.7MM

NOTES: UNLESS OTHERWISE SPECIFIED

1. MATERIAL:

- SHELL: THERMOPLASTIC
- NUT: THERMOPLASTIC
- SEAL: SILICONE RUBBER
- CORD: NYLON
- LOCK WASHER: STEEL

2. COLORS: BLACK

3. RoHS COMPLIANT

4. COMPATIBLE WITH ALL SIZE 24 AHDP SERIES PLUG.

5. ALL DIMENSIONS ARE FOR REFERENCE USE ONLY.

AHDC04-24-PMT					
PART NUMBER		DESCRIPTION		ITEM	
QUANTITY	MATERIALS LIST				
<p>UNLESS OTHERWISE SPECIFIED</p> <p>1) All dimensions are in metric (mm).</p> <p>2) Tolerances are as follows:</p> <p>1 PL DEC ±0.30 Fractions ±1/64</p> <p>2 PL DEC ±0.15 Angles ±1°</p> <p>3 PL DEC ±0.08</p> <p>3) Note reference = </p>		<p>SIGNATURES</p> <p>DRAWN: MILO.DONG 09JUL21</p> <p>CHECKED: SULLEN.ZHANG 12JUL21</p> <p>ENGINEER:</p> <p>APPROVAL: TOMMY.XIE 13JUL21</p> <p>CUSTOMER:</p>		<p>Amphenol</p> <p>Sine Systems - www.amphenol-sine.com 44724 Morley Drive Clinton Township, MI 48036</p>	
MATERIAL SPECIFICATIONS:		THIS DRAWING IS SUPPLIED FOR INFORMATION ONLY. DESIGN FEATURES, SPECIFICATIONS AND PERFORMANCE DATA SHOWN HEREON ARE THE PROPERTY OF THE AMPHENOL CORPORATION. NO RIGHTS OF REPRODUCTION ARE IMPLIED. ALL DIMENSIONS ARE SUBJECT TO NORMAL MANUFACTURING VARIATIONS.		<p>PROTECTIVE CAP FOR PLUGS, WITH CORD, AHDP SERIES, SIZE 24</p>	
PROCESS SPECIFICATIONS:		SIZE: A	TYPE: C-	DWG NO: AHDC04-24-PMT	REVISION: A2
NEXT ASSY:		SCALE: NONE		SHEET 1 OF 1	