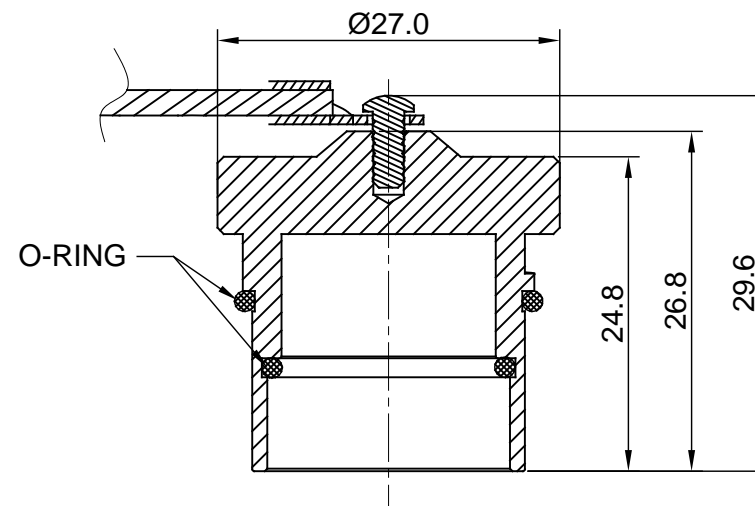
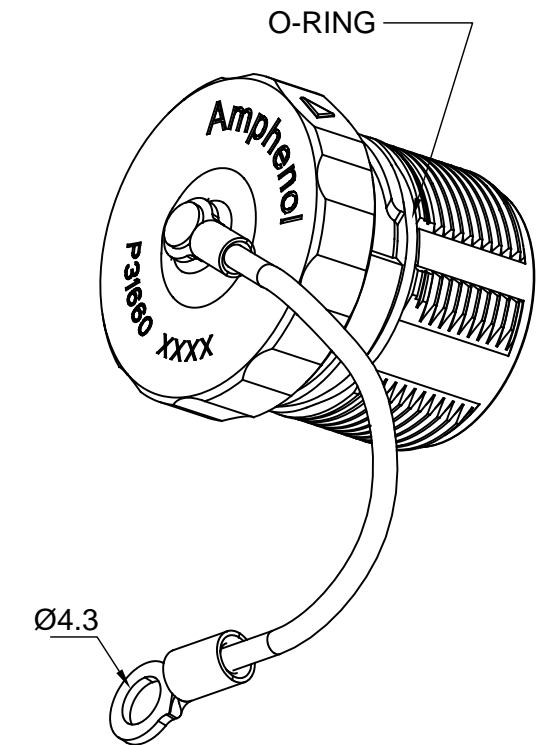
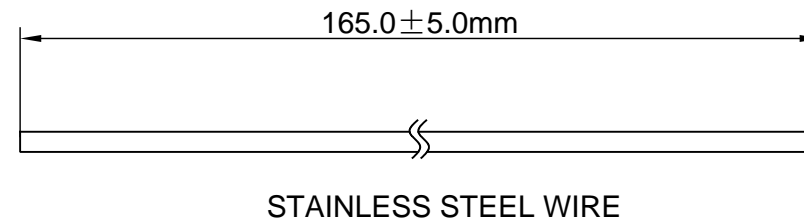
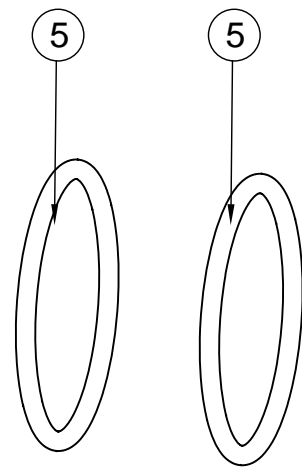
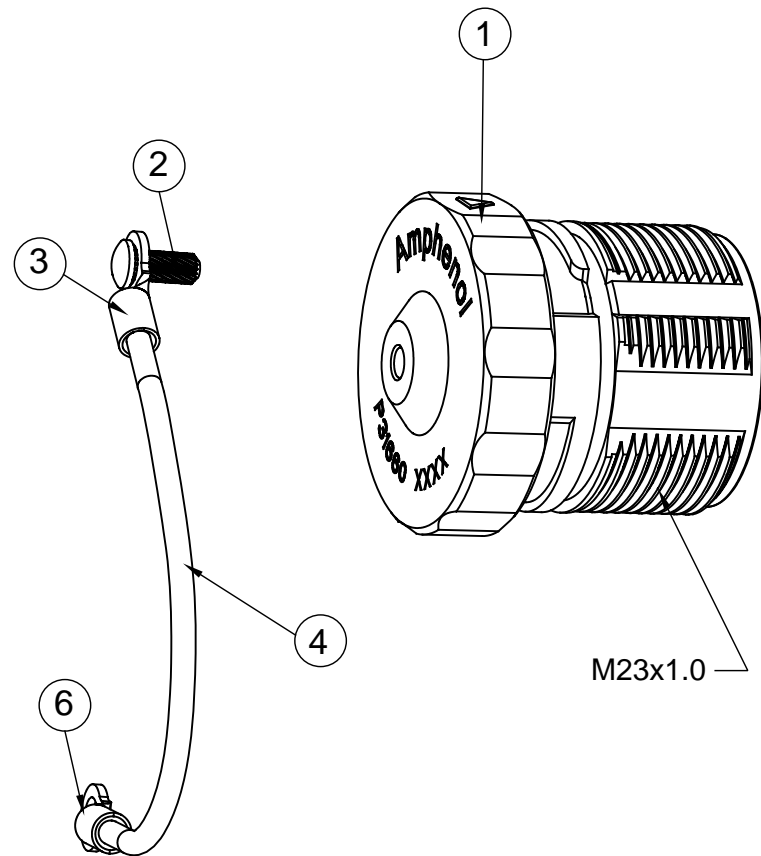


REVISIONS					
REV	ECO	DESCRIPTION	DATE	BY	APPR
A1	--	FIRST RELEASED	Sep-28-2018	White	Tommy
A2	--	UPDATED DRAWING	Jan-09-2019	White	Tommy



NOTES : (UNLESS OTHERWISE SPECIFIED)

- MATERIAL :  
 NUT : ZINC DIE CAST, NICKEL PLATED.  
 RIVET : STAINLESS STEEL.  
 WIRE : STAINLESS STEEL.  
 SEAL: VITON.
- SPECIFICATIONS :  
 2.1 MATING CYCLES DURABILITY : 500 CYCLES MIN.  
 2.2 IP--CLASS : IP67 (IN MATED CONDITION)  
 2.3 RoHS COMPLIANT.
- ALL DIMENSIONS ARE FOR REFERENCE USE ONLY.

TITLE: DUST CAP FOR M23A THREAD PLUG  
 DWG NO: P31660  
 REV: A2  
 SH: 1  
 OF: 1

QUANTITY	PART NUMBER	DESCRIPTION	ITEM
1	RRNBL14	RING TERMIANL M4	6
1	RB000024	O-RING, 17.5MM(ID)*1.6MM, BLACK VITON	5
165mm	RM0061	STAINLESS STEEL WIRE	4
1	RSC000021	RING TERMIANL,M3	3
1	RM0084	RIVET,F2.5*6.35	2
1	CP-M0837	METAL COUPLING NUT	1

MATERIALS LIST

UNLESS OTHERWISE SPECIFIED 1) All dimensions are in metric(mm). 2) Tolerances are as follows: 1 PL DEC ±0.30 2 PL DEC ±0.15 3 PL DEC ±0.08 Fractions ±1/64 Angles ±1° 3) Note reference =		SIGNATURES DRAWN: White CHECKED: Tod ENGINEER: APPROVAL: Tommy		DATE Jan-09-2019 Jan-09-2019 Jan-09-2019		<h1 style="text-align: center;">Amphenol</h1> <p style="text-align: center;">Sine Systems - www.amphenol-sine.com          44724 Morley Drive          Clinton Township, MI 48036</p>					
MATERIAL SPECIFICATIONS:		CUSTOMER:		THIS DRAWING IS SUPPLIED FOR INFORMATION ONLY. DESIGN FEATURES, SPECIFICATIONS AND PERFORMANCE DATA SHOWN HEREON ARE THE PROPERTY OF THE AMPHENOL CORPORATION. NO RIGHTS OF REPRODUCTION ARE IMPLIED. ALL DIMENSIONS ARE SUBJECT TO NORMAL MANUFACTURING VARIATIONS.						DUST CAP FOR M23A THREAD PLUG	
PROCESS SPECIFICATIONS:		NEXT ASSY:		SCALE: <b>NONE</b>		SHEET <b>1</b>		OF <b>1</b>			