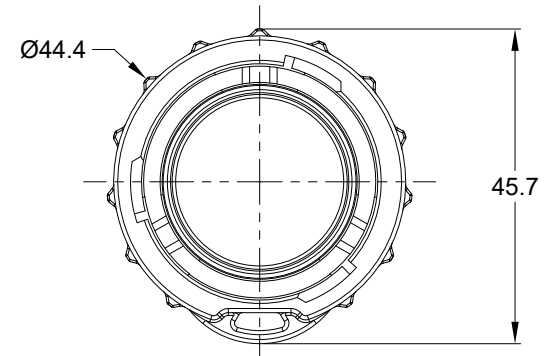
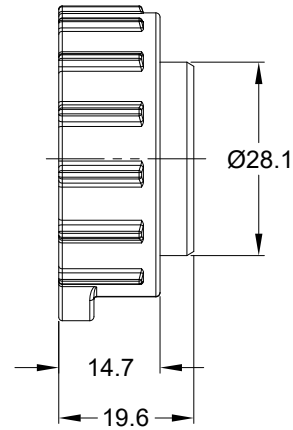
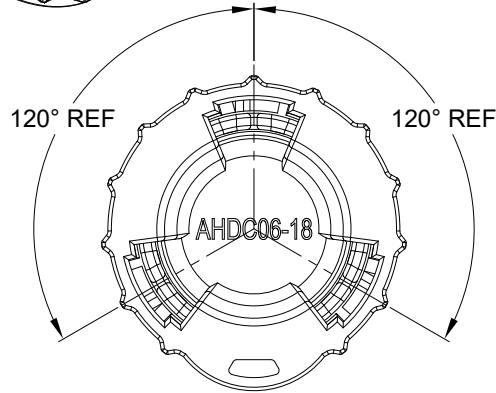
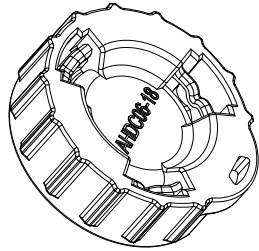


REVISIONS

REV	ECO	DESCRIPTION	DATE	BY	APPR
01		PRELIMINARY DRAWING	11APR17	SULLEN	TOMMY
02		CHANGE P/N TO AHDC06-18	18MAY17	SULLEN	TOMMY
03		CHANGE DIMENSIONS	21JUL17	SULLEN	TOMMY



NOTES: UNLESS OTHERWISE SPECIFIED

1. MATERIAL: THERMOPLASTIC
2. COLORS: BLACK
3. RoHS COMPLIANT
4. COMPATIBLE WITH ALL SIZE 18 AHDP SERIES RECEPTACLE.
5. ALL DIMENSIONS ARE FOR REFERENCE USE ONLY.

AHDC06-18		DESCRIPTION		ITEM						
QUANTITY	PART NUMBER	MATERIALS LIST								
<p>UNLESS OTHERWISE SPECIFIED</p> <p>1) All dimensions are in metric (mm).</p> <p>2) Tolerances are as follows:</p> <table border="0"> <tr> <td>1 PL DEC ±0.30</td> <td>Fractions ±1/64</td> </tr> <tr> <td>2 PL DEC ±0.15</td> <td>Angles ±1°</td> </tr> <tr> <td>3 PL DEC ±0.08</td> <td></td> </tr> </table> <p>3) Note reference = </p>		1 PL DEC ±0.30	Fractions ±1/64	2 PL DEC ±0.15	Angles ±1°	3 PL DEC ±0.08		<p>SIGNATURES</p> <p>DRAWN: SULLEN.ZHANG</p> <p>CHECKED: ORION.LI</p> <p>ENGINEER:</p> <p>APPROVAL: TOMMY.XIE</p> <p>CUSTOMER:</p>		<p>DATE</p> <p>21JUL17</p> <p>21JUL17</p> <p>21JUL17</p>
1 PL DEC ±0.30	Fractions ±1/64									
2 PL DEC ±0.15	Angles ±1°									
3 PL DEC ±0.08										
<p>MATERIAL SPECIFICATIONS:</p>		<p>THIS DRAWING IS SUPPLIED FOR INFORMATION ONLY. DESIGN FEATURES, SPECIFICATIONS AND PERFORMANCE DATA SHOWN HEREON ARE THE PROPERTY OF THE AMPHENOL CORPORATION. NO RIGHTS OF REPRODUCTION ARE IMPLIED. ALL DIMENSIONS ARE SUBJECT TO NORMAL MANUFACTURING VARIATIONS.</p>								
<p>PROCESS SPECIFICATIONS:</p>		<p>Amphenol</p> <p>Sine Systems - www.amphenol-sine.com</p> <p>44724 Morley Drive</p> <p>Clinton Township, MI 48036</p> <p>PROTECTIVE CAP FOR RECEPTACLE, AHDP SERIES, SIZE 18</p>								
<p>NEXT ASSY:</p>		<p>SIZE: A C-</p> <p>SCALE: NONE</p>	<p>DWG NO: AHDC06-18</p>	<p>REVISION: 03</p>						
		<p>SHEET 1 OF 1</p>								