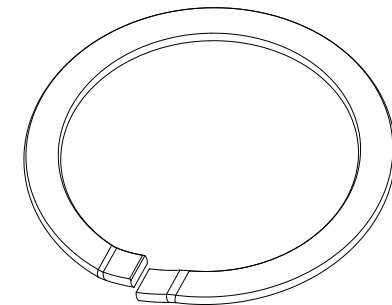
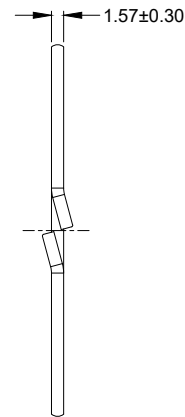
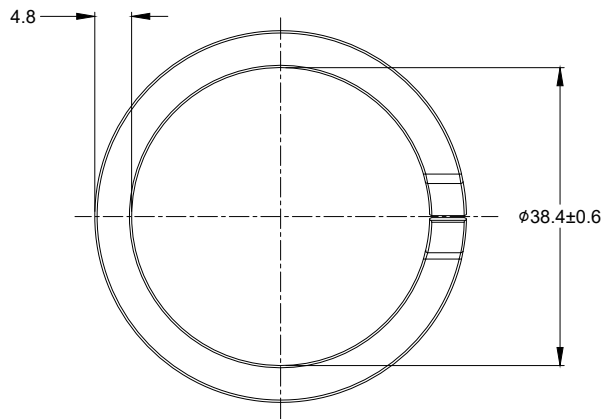


REVISIONS					
REV	ECO	DESCRIPTION	DATE	BY	APPR
A1	--	RELEASE NEW DRAWING	26/SEP/18	ROOKIE	TOMMY



NOTES: UNLESS OTHERWISE SPECIFIED

1. MATERIAL: STAINLESS STEEL.
2. USE WITH AHDM SERIES SIZE 18 RECEPTACLE.
3. RoHS COMPLIANT.
4. ALL DIMENSIONS ARE FOR REFERENCE USE ONLY.

TITLE: LOCKWASHER, AHDM, SIZE 18
 DWG NO: A114021
 REV: A1
 SH: 1
 OF: 1

A114021		PART NUMBER		DESCRIPTION		ITEM																																																									
<table border="1"> <thead> <tr> <th>QUANTITY</th> <th colspan="6">MATERIALS LIST</th> </tr> </thead> <tbody> <tr> <td rowspan="4"> UNLESS OTHERWISE SPECIFIED 1) All dimensions are in metric(mm). 2) Tolerances are as follows: 1 PL DEC ±0.30 2 PL DEC ±0.15 3 PL DEC ±0.08 3) Note reference = </td> <td colspan="2">SIGNATURES</td> <td colspan="2">DATE</td> <td colspan="2" rowspan="4"> <div style="text-align: center;"> <h1>Amphenol</h1> <p>Sine Systems - www.amphenol-sine.com 44724 Morley Drive Clinton Township, MI 48036</p> <h2>LOCKWASHER, AHDM, SIZE 18</h2> </div> </td> </tr> <tr> <td>DRAWN:</td> <td>ROOKIE</td> <td colspan="2">26/SEP/18</td> </tr> <tr> <td>CHECKED:</td> <td>ORION</td> <td colspan="2">26/SEP/18</td> </tr> <tr> <td>ENGINEER:</td> <td colspan="2"></td> <td></td> </tr> <tr> <td>MATERIAL SPECIFICATIONS:</td> <td colspan="2">APPROVAL:</td> <td>TOMMY</td> <td colspan="2">26/SEP/18</td> <td rowspan="3"> THIS DRAWING IS SUPPLIED FOR INFORMATION ONLY. DESIGN FEATURES, SPECIFICATIONS AND PERFORMANCE DATA SHOWN HEREON ARE THE PROPERTY OF THE AMPHENOL CORPORATION. NO RIGHTS OF REPRODUCTION ARE IMPLIED. ALL DIMENSIONS ARE SUBJECT TO NORMAL MANUFACTURING VARIATIONS. </td> </tr> <tr> <td>PROCESS SPECIFICATIONS:</td> <td colspan="2">CUSTOMER:</td> <td colspan="2"></td> </tr> <tr> <td>NEXT ASSY:</td> <td colspan="2"></td> <td colspan="2"></td> </tr> <tr> <td colspan="2">SIZE: B</td> <td colspan="2">TYPE: C-</td> <td colspan="2">DWG NO: A114021</td> <td>REVISION: A1</td> </tr> <tr> <td colspan="2">SCALE: NONE</td> <td colspan="2">SHEET 1</td> <td colspan="2">OF 1</td> <td></td> </tr> </tbody> </table>							QUANTITY	MATERIALS LIST						UNLESS OTHERWISE SPECIFIED 1) All dimensions are in metric(mm). 2) Tolerances are as follows: 1 PL DEC ±0.30 2 PL DEC ±0.15 3 PL DEC ±0.08 3) Note reference =	SIGNATURES		DATE		<div style="text-align: center;"> <h1>Amphenol</h1> <p>Sine Systems - www.amphenol-sine.com 44724 Morley Drive Clinton Township, MI 48036</p> <h2>LOCKWASHER, AHDM, SIZE 18</h2> </div>		DRAWN:	ROOKIE	26/SEP/18		CHECKED:	ORION	26/SEP/18		ENGINEER:				MATERIAL SPECIFICATIONS:	APPROVAL:		TOMMY	26/SEP/18		THIS DRAWING IS SUPPLIED FOR INFORMATION ONLY. DESIGN FEATURES, SPECIFICATIONS AND PERFORMANCE DATA SHOWN HEREON ARE THE PROPERTY OF THE AMPHENOL CORPORATION. NO RIGHTS OF REPRODUCTION ARE IMPLIED. ALL DIMENSIONS ARE SUBJECT TO NORMAL MANUFACTURING VARIATIONS.	PROCESS SPECIFICATIONS:	CUSTOMER:				NEXT ASSY:					SIZE: B		TYPE: C-		DWG NO: A114021		REVISION: A1	SCALE: NONE		SHEET 1		OF 1		
QUANTITY	MATERIALS LIST																																																														
UNLESS OTHERWISE SPECIFIED 1) All dimensions are in metric(mm). 2) Tolerances are as follows: 1 PL DEC ±0.30 2 PL DEC ±0.15 3 PL DEC ±0.08 3) Note reference =	SIGNATURES		DATE		<div style="text-align: center;"> <h1>Amphenol</h1> <p>Sine Systems - www.amphenol-sine.com 44724 Morley Drive Clinton Township, MI 48036</p> <h2>LOCKWASHER, AHDM, SIZE 18</h2> </div>																																																										
	DRAWN:	ROOKIE	26/SEP/18																																																												
	CHECKED:	ORION	26/SEP/18																																																												
	ENGINEER:																																																														
MATERIAL SPECIFICATIONS:	APPROVAL:		TOMMY	26/SEP/18		THIS DRAWING IS SUPPLIED FOR INFORMATION ONLY. DESIGN FEATURES, SPECIFICATIONS AND PERFORMANCE DATA SHOWN HEREON ARE THE PROPERTY OF THE AMPHENOL CORPORATION. NO RIGHTS OF REPRODUCTION ARE IMPLIED. ALL DIMENSIONS ARE SUBJECT TO NORMAL MANUFACTURING VARIATIONS.																																																									
PROCESS SPECIFICATIONS:	CUSTOMER:																																																														
NEXT ASSY:																																																															
SIZE: B		TYPE: C-		DWG NO: A114021		REVISION: A1																																																									
SCALE: NONE		SHEET 1		OF 1																																																											