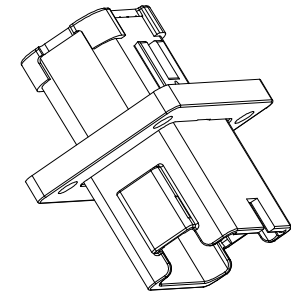
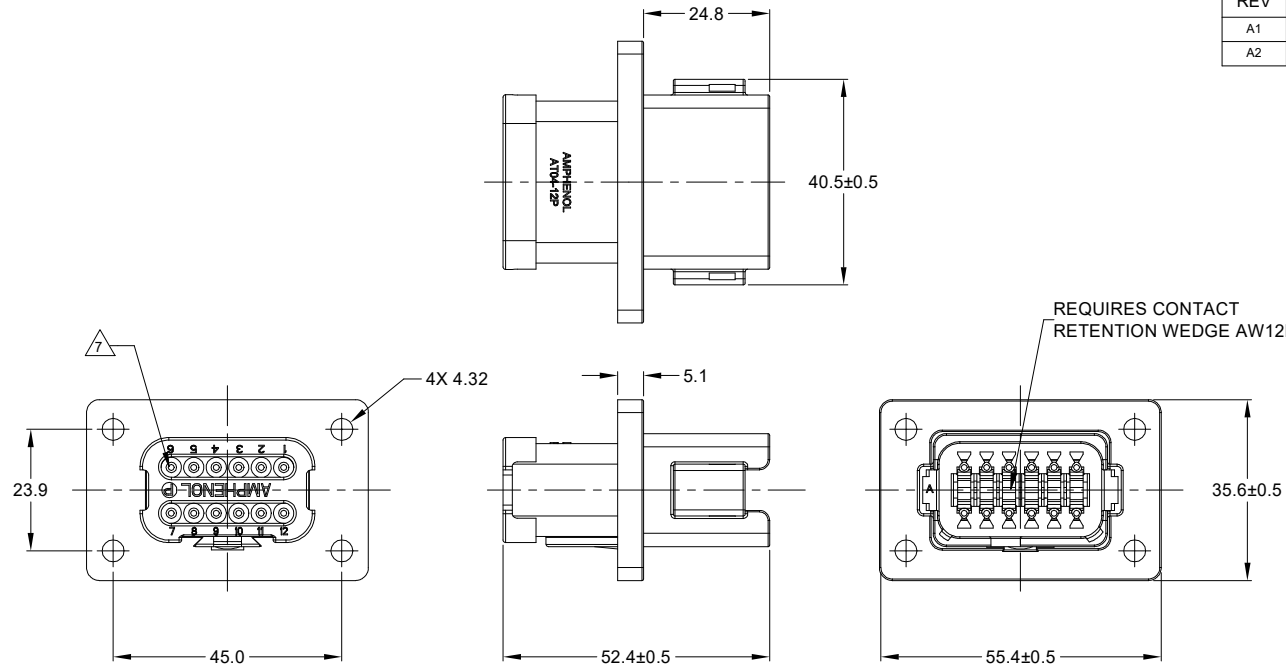


REVISIONS					
REV	ECO	DESCRIPTION	DATE	BY	APPR
A1	-	RELEASE NUMBER	30/NOV/18	BROOK	TOMMY
A2	C1403S	UPDATE THE APPEARANCE	11/NOV/21	LOUIE	TOMMY



NOTES: UNLESS OTHERWISE SPECIFIED

1. SEE SHEET 2 FOR KEY ARRANGEMENTS AND COLORS.

2. MATERIAL:  
HOUSING: THERMOPLASTIC  
SEAL: SILICONE RUBBER

3. MODIFICATIONS: FLANGE, END CAP

4. SPECIFICATIONS:  
4.1 CURRENT RATING: 13 AMPS  
4.2 OPERATING TEMPERATURE: -55°C TO +125°C.  
4.3 DIELECTRIC WITHSTANDING VOLTAGE: LESS THAN 2 MILLIAMPS CURRENT LEAKAGE @ 1500 VOLTS AC.  
4.4 INSULATION RESISTANCE: 1000 MEGOHMS MIN @ 25°C.  
4.5 MOISTURE RESISTANCE: IP69K&IP68 ( 1M OF WATER FOR A PERIOD OF 24 HOURS, MATED CONDITION )  
4.6 MATING CYCLE DURABILITY: 100 CYCLES  
4.7 RoHS COMPLIANT

7. CONTACT SIZE AND REAR SEAL WIRE RANGE:

CONTACT SIZE	MIN. INSUL O.D.	MAX. INSUL O.D.	TYPICAL WIRE RANGE
16	2.24 mm (.088 in)	3.68 mm (.145 in)	14 - 20 AWG

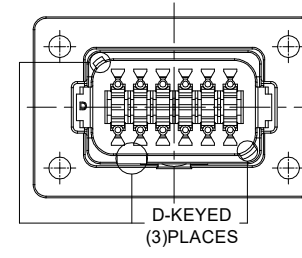
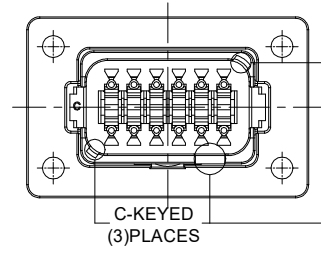
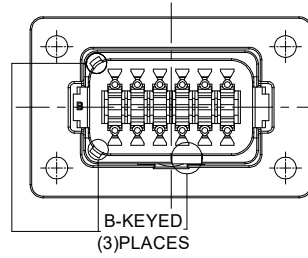
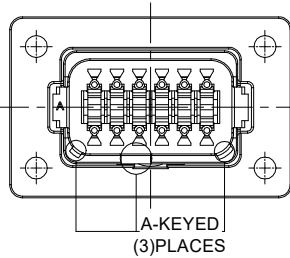
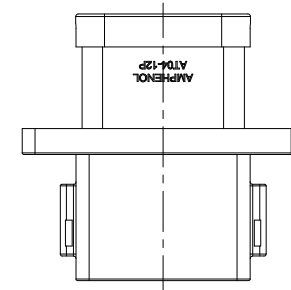
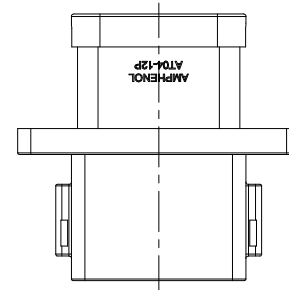
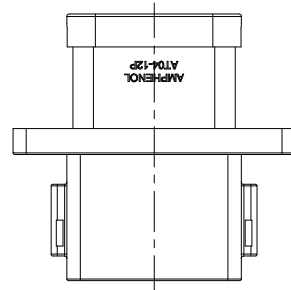
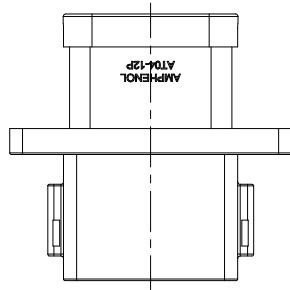
5. MATING PART: AT06-12SX\* PLUG.  
( X=A,B,C,D KEYS, \* = MODIFICATIONS AND COLORS )

6. ALL DIMENSIONS ARE FOR REFERENCE USE ONLY.

SEE SHEET 2		REF: DT04-12PA-BL05 - DT04-12PB-BL05 - DT04-12PC-BL05 - DT04-12PD-BL05		ITEM
QUANTITY	PART NUMBER	DESCRIPTION		
<p><b>UNLESS OTHERWISE SPECIFIED</b></p> <p>1) All dimensions are in metric (mm). 2) Tolerances are as follows: 1 PL DEC ±0.30 Fractions ±1/64 2 PL DEC ±0.15 Angles ±1° 3 PL DEC ±0.08</p> <p>3) Note reference = </p>				
SIGNATURES		DATE		
DRAWN: LOUIE		11/NOV/21		
CHECKED: ORION		12/NOV/21		
ENGINEER:				
APPROVAL: TOMMY		15/NOV/21		
MATERIAL SPECIFICATIONS:		CUSTOMER:		
WEIGHT: 28.9g				
PROCESS SPECIFICATIONS:		THIS DRAWING IS SUPPLIED FOR INFORMATION ONLY. DESIGN FEATURES, SPECIFICATIONS AND PERFORMANCE DATA SHOWN HEREON ARE THE PROPERTY OF THE AMPHENOL CORPORATION. NO RIGHTS OF REPRODUCTION ARE IMPLIED. ALL DIMENSIONS ARE SUBJECT TO NORMAL MANUFACTURING VARIATIONS.		
NEXT ASSY:				
		<p><b>Amphenol</b></p> <p>Sine Systems - www.amphenol-sine.com 44724 Morley Drive Clinton Township, MI 48036</p>		
		12P RECEPTACLE, FLANGE MOUNT, ENHANCE KEY, END CAP		
		<p>SIZE: <b>B C-</b></p> <p>SCALE: NONE</p>	<p>DWG NO: <b>AT04-12PX-BL05</b></p>	<p>REVISION: <b>A2</b></p>
		SHEET 1 OF 3		

TITLE: 12P RECEPTACLE, FLANGE MOUNT, ENHANCE KEY, END CAP  
DWG NO: AT04-12PX-BL05  
REV: A2  
SH: 1  
OF: 3

REVISIONS					
REV	ECO	DESCRIPTION	DATE	BY	APPR
A1	-	RELEASE NUMBER	30/NOV/18	BROOK	TOMMY
A2	C1403S	UPDATE THE APPEARANCE	11/NOV/21	LOUIE	TOMMY



KEY-A CONFIGURATION	
COLOR	PART NUMBER
GREY	AT04-12PA-BL05

KEY-B CONFIGURATION	
COLOR	PART NUMBER
BLACK	AT04-12PB-BL05

KEY-C CONFIGURATION	
COLOR	PART NUMBER
GREEN	AT04-12PC-BL05

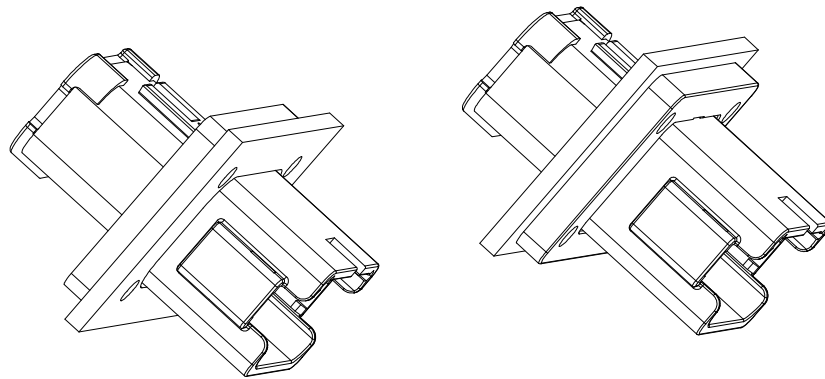
KEY-D CONFIGURATION	
COLOR	PART NUMBER
BROWN	AT04-12PD-BL05

SEE SHEET 2		DESCRIPTION		ITEM
QUANTITY	PART NUMBER			
<b>MATERIALS LIST</b>				
<b>UNLESS OTHERWISE SPECIFIED</b> 1) All dimensions are in metric(mm). 2) Tolerances are as follows: 1 PL DEC ±0.30 2 PL DEC ±0.15 3 PL DEC ±0.08 Fractions ±1/64 Angles ±1° 3) Note reference =		<b>SIGNATURES</b> DRAWN: LOUIE 11/NOV/21 CHECKED: ORION 12/NOV/21 ENGINEER: APPROVAL: TOMMY 15/NOV/21 CUSTOMER:		<b>Amphenol</b> Sine Systems - www.amphenol-sine.com 44724 Morley Drive Clinton Township, MI 48036
MATERIAL SPECIFICATIONS: WEIGHT: 28.9g		THIS DRAWING IS SUPPLIED FOR INFORMATION ONLY. DESIGN FEATURES, SPECIFICATIONS AND PERFORMANCE DATA SHOWN HEREON ARE THE PROPERTY OF THE AMPHENOL CORPORATION. NO RIGHTS OF REPRODUCTION ARE IMPLIED. ALL DIMENSIONS ARE SUBJECT TO NORMAL MANUFACTURING VARIATIONS.		12P RECEPTACLE, FLANGE MOUNT, ENHANCE KEY, END CAP
PROCESS SPECIFICATIONS:		SCALE: NONE		SIZE: B C- TYPE: AT04-12PX-BL05 DWG NO.: REVISION: A2
NEXT ASSY:		SHEET 2 OF 3		3

TITLE: 12P RECEPTACLE FLANGE MOUNT ENHANCE KEY END CAP  
 DWG NO.: AT04-12PX-BL05  
 REV: A2  
 SH: 2  
 OF: 3

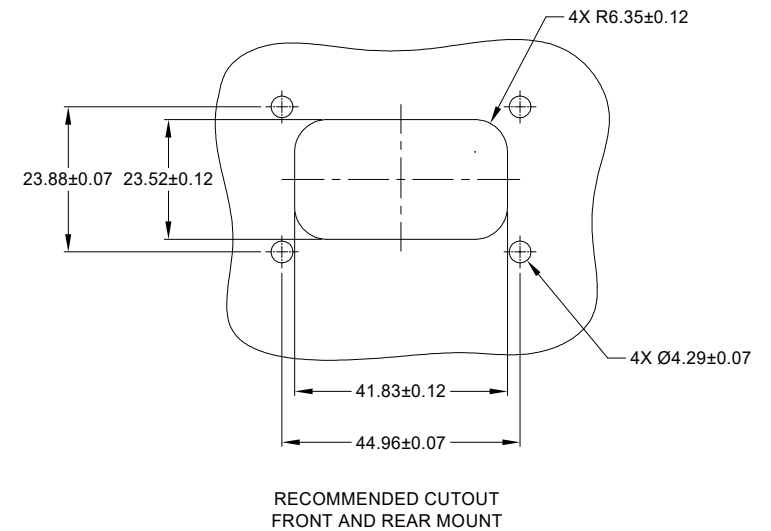
REVISIONS					
REV	ECO	DESCRIPTION	DATE	BY	APPR
A1	-	RELEASE NUMBER	30/NOV/18	BROOK	TOMMY
A2	C1403S	UPDATE THE APPEARANCE	11/NOV/21	LOUIE	TOMMY

FOR REFERENCE ONLY



FRONT MOUNT

REAR MOUNT



RECOMMENDED CUTOUT  
FRONT AND REAR MOUNT

SEE SHEET 2		DESCRIPTION		ITEM
QUANTITY	PART NUMBER			
<b>MATERIALS LIST</b>				
<b>UNLESS OTHERWISE SPECIFIED</b> 1) All dimensions are in metric(mm). 2) Tolerances are as follows: 1 PL DEC ±0.30 2 PL DEC ±0.15 3 PL DEC ±0.08 Fractions ±1/64 Angles ±1° 3) Note reference =		<b>SIGNATURES</b> DRAWN: LOUIE 11/NOV/21 CHECKED: ORION 12/NOV/21 ENGINEER: APPROVAL: TOMMY 15/NOV/21 CUSTOMER:		<b>Amphenol</b> Sine Systems - www.amphenol-sine.com 44724 Morley Drive Clinton Township, MI 48036
MATERIAL SPECIFICATIONS: <b>WEIGHT: 28.9g</b>		THIS DRAWING IS SUPPLIED FOR INFORMATION ONLY. DESIGN FEATURES, SPECIFICATIONS AND PERFORMANCE DATA SHOWN HEREON ARE THE PROPERTY OF THE AMPHENOL CORPORATION. NO RIGHTS OF REPRODUCTION ARE IMPLIED. ALL DIMENSIONS ARE SUBJECT TO NORMAL MANUFACTURING VARIATIONS.		12P RECEPTACLE, FLANGE MOUNT, ENHANCE KEY, END CAP
PROCESS SPECIFICATIONS: NEXT ASSY:		SCALE: NONE		SIZE: <b>B C-</b> DWG NO: <b>AT04-12PX-BL05</b> REVISION: <b>A2</b> SHEET 3 OF 3

TITLE: 12P RECEPTACLE, FLANGE MOUNT, ENHANCE KEY, END CAP  
 DWG NO.: AT04-12PX-BL05  
 REV: A2  
 SH: 3  
 OF: 3