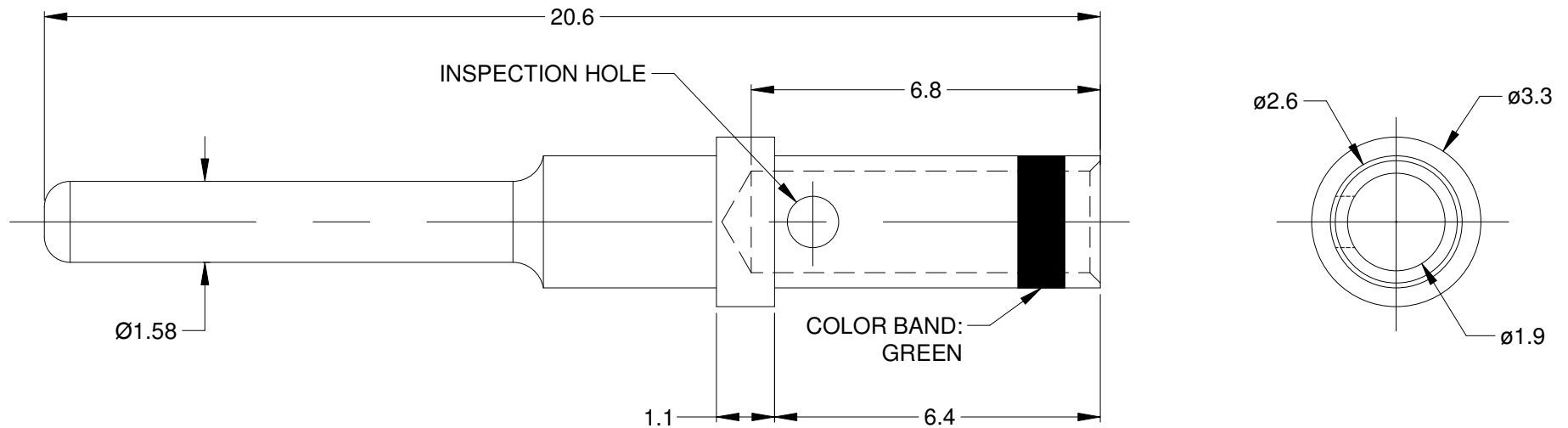


REVISIONS

REV	ECO	DESCRIPTION	DATE	BY	APPR
A4	-	RELEASE NEW DWG FORMAT	16/JUL/13	JARRY	-
A5	-	ADDED COLOR BAND	16DEC2015	JAH	-
A6	-	MATCHED DIMS TO NEW TOOLING	28JAN2015	JAH	-



NOTES: UNLESS OTHERWISE SPECIFIED

1. MATERIAL: COPPER ALLOY
2. PLATING: SEE PART NUMBER CHART
3. CONTACT SIZE: 16
4. SPECIFICATIONS:
  - 4.1 CURRENT RATING: 13 AMPS
  - 4.2 CONTACT MILLIVOLT DROP: 60 MILLIVOLT DROP @ 13 AMP TEST CURRENT.
  - 4.3 RoHS COMPLIANT
5. RECOMMENDED WIRE RANGE: 14 AWG
6. AVAILABLE HAND CRIMPER: CA-5D12
7. ALL DIMENSIONS ARE FOR REFERENCE USE ONLY

PART NUMBER CHART	
PLATING	PART NUMBER
GOLD	AT60-215-1631
NICKEL	AT60-215-16141

SEE PART NUMBER CHART		DESCRIPTION	ITEM
QUANTITY	PART NUMBER		

UNLESS OTHERWISE SPECIFIED		SIGNATURES		DATE	<h1>Amphenol</h1> <p>Sine Systems - www.amphenol-sine.com 44724 Morley Drive Clinton Township, MI 48036</p> <p>CONTACT, PIN, SOLID, SIZE 16, 14AWG, AT/AHD-9 SERIES</p>								
1) All dimensions are in metric(mm). 2) Tolerances are as follows: 1 PL DEC ±0.30 2 PL DEC ±0.15 3 PL DEC ±0.08 Fractions ±1/64 Angles ±1°		DRAWN:	JARRY	16/JUL/13									
3) Note reference =		CHECKED:											
MATERIAL SPECIFICATIONS:		ENGINEER:											
PROCESS SPECIFICATIONS:		APPROVAL:			<table border="1"> <tr> <td>SIZE</td> <td>TYPE</td> <td>DWG NO:</td> <td>REVISION</td> </tr> <tr> <td>A</td> <td>C-</td> <td>AT60-215-16XXX</td> <td>A6</td> </tr> </table>	SIZE	TYPE	DWG NO:	REVISION	A	C-	AT60-215-16XXX	A6
SIZE	TYPE	DWG NO:	REVISION										
A	C-	AT60-215-16XXX	A6										
NEXT ASSY:		CUSTOMER:			THIS DRAWING IS SUPPLIED FOR INFORMATION ONLY. DESIGN FEATURES, SPECIFICATIONS AND PERFORMANCE DATA SHOWN HEREON ARE THE PROPERTY OF THE AMPHENOL CORPORATION. NO RIGHTS OF REPRODUCTION ARE IMPLIED. ALL DIMENSIONS ARE SUBJECT TO NORMAL MANUFACTURING VARIATIONS.								
		SCALE:	NONE		SHEET 1 OF 1								