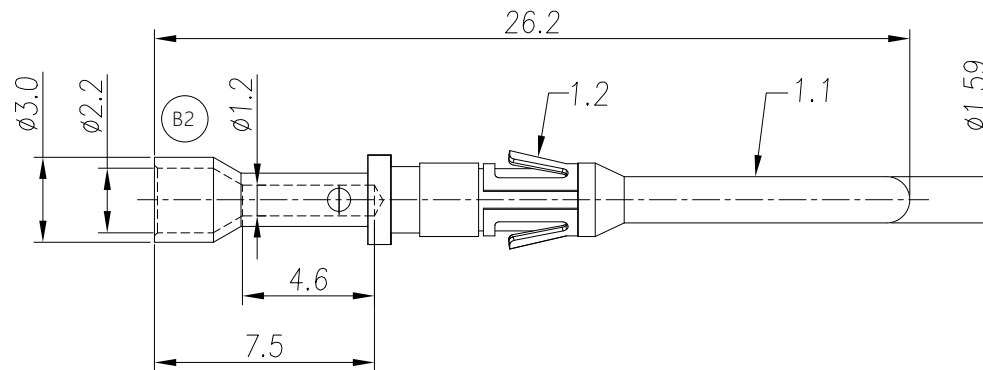


REVISIONS					
REV	ECO	DESCRIPTION	DATE	BY	APPR
B1	-	RELEASED DRAWING	JUN-18-2014	BEN	TOMMY
B2	-	Update drawing	Jun-21-18	Flan	Tommy



- NOTES: (UNLESS OTHERWISE SPECIFIED)
- MATERIAL:
    - CONTACT BODY: COPPER ALLOY.
    - POSITIONING CLIP: COPPER ALLOY.
  - SPECIFICATIONS:
    - CURRENT RATING: 13A(MAX).
    - TERMINATION TYPE: CRIMPING.
    - WIRE RANGE: 20~22AWG.
  - SUITABLE SOCKET TYPE: MS20M23XX.
  - RoHS COMPLIANT.
  - ALL DIMENSIONS ARE FOR REFERENCE USE ONLY.

P/N	CONTACT PLATING(MATING AREA)
MP20M23T	TIN PLATING OVER NICKEL.
MP20M23S	SILVER PLATING OVER NICKEL.
MP20M23F	GOLD FLASH PLATING OVER NICKEL.
MP20M23G5	5μ"GOLD PLATING OVER NICKEL.
MP20M23G10	10μ"GOLD PLATING OVER NICKEL.
MP20M23G15	15μ"GOLD PLATING OVER NICKEL.
MP20M23G30	30μ"GOLD PLATING OVER NICKEL.

QUANTITY	PART NUMBER	DESCRIPTION	ITEM														
<b>MATERIALS LIST</b>																	
<small>UNLESS OTHERWISE SPECIFIED:            1) All dimensions are in metric(mm).            2) Tolerances are as follows:            1 PL DEC ±0.30            2 PL DEC ±0.15            3 PL DEC ±0.08            3) Note reference = </small>		<table border="1"> <thead> <tr> <th>SIGNATURES</th> <th>DATE</th> </tr> </thead> <tbody> <tr> <td>Flan</td> <td>Jun-21-18</td> </tr> <tr> <td>Tom</td> <td>Jun-21-18</td> </tr> <tr> <td>Tommy</td> <td>Jun-21-18</td> </tr> </tbody> </table>	SIGNATURES	DATE	Flan	Jun-21-18	Tom	Jun-21-18	Tommy	Jun-21-18	<h1>Amphenol</h1> <p>Sine Systems - <a href="http://www.amphenol-sine.com">www.amphenol-sine.com</a>            44724 Morley Drive            Clinton Township, MI 48036</p>						
SIGNATURES	DATE																
Flan	Jun-21-18																
Tom	Jun-21-18																
Tommy	Jun-21-18																
<small>THIS DRAWING IS SUPPLIED FOR INFORMATION ONLY. DESIGN FEATURES, SPECIFICATIONS AND PERFORMANCE DATA SHOWN HEREON ARE THE PROPERTY OF THE AMPHENOL CORPORATION. NO RIGHTS OF REPRODUCTION ARE IMPLIED. ALL DIMENSIONS ARE SUBJECT TO NORMAL MANUFACTURING VARIATIONS.</small>		<p>ECO-MATE, PIN CONTACT MACHINE, 20-22AWG, SIZE 16</p>															
<small>PROCESS SPECIFICATIONS:</small>		<table border="1"> <tr> <td>SIZE</td> <td>TYPE</td> <td>DWG NO:</td> <td>REVISION</td> </tr> <tr> <td>B</td> <td>C-</td> <td>MP20M23XX</td> <td>B2</td> </tr> </table>	SIZE	TYPE	DWG NO:	REVISION	B	C-	MP20M23XX	B2	<table border="1"> <tr> <td>SCALE</td> <td>NONE</td> <td>SHEET</td> <td>1</td> <td>OF</td> <td>1</td> </tr> </table>	SCALE	NONE	SHEET	1	OF	1
SIZE	TYPE	DWG NO:	REVISION														
B	C-	MP20M23XX	B2														
SCALE	NONE	SHEET	1	OF	1												

TITLE: ECO-MATE PIN CONTACT MACHINE, 20-22AWG, SIZE 16  
 DWG NO: MP20M23XX  
 REV: B2  
 SH: 1  
 OF: 1