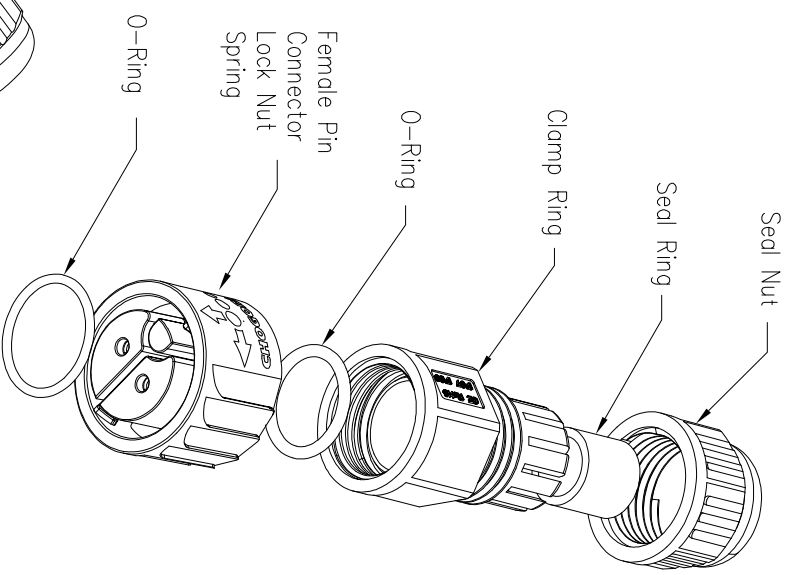
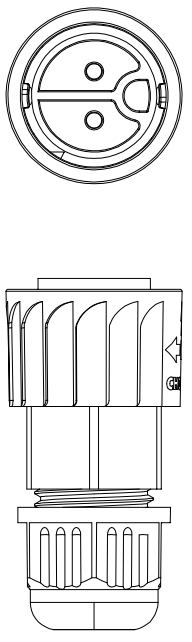
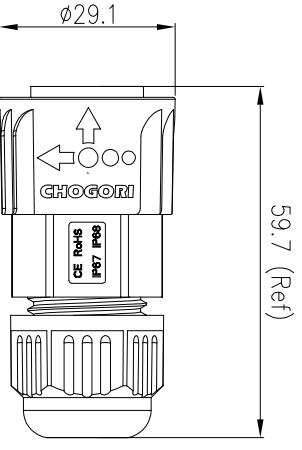
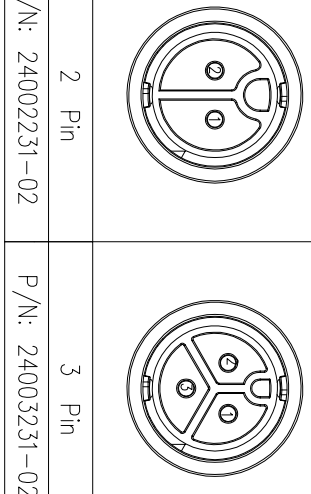


REV.	EN. NO.	DESCRIPTION	SIGN	DATE
C1	N/A	INITIAL DRAWING	Liu	2019/08/13



24XXX231-XX Cable Range OD
 01 OD: $\phi 3.5\text{mm} \sim \phi 6.8\text{mm}$
 02 OD: $\phi 6.8\text{mm} \sim \phi 10.5\text{mm}$
 Pin Number



Pin Assignments Front View

P/N: 24002231-02 P/N: 24003231-02



UNIT: mm
 TOLERANCE
 X ± 0.25
 XX ± 0.15
 XXX ± 0.05
 ANGLES $\pm 1'$

DESCRIPTION

Large Series Push Lock Male Plug With Female Pin

SCALE: 1:1
 REV: C1
 SIZE: A4
 SHEET: 1 OF 1
 * : Inspection Item



PART NO 24XXX231-XX

DWG NO
 CUSTOMER

DRAWN BY Liu

CHECKED BY Mo

APPROVED BY Panson

DATE 2019/08/13

DATE 2019/08/13

DATE 2019/08/13

- Specification:
1. Operation Temperature: $-45^{\circ}\text{C} \sim 105^{\circ}\text{C}$.
 2. Insulation Resistance: $100\text{M}\Omega$ at DC500V.
 3. Contact Resistance: $< 10\text{m}\Omega$.
 4. Withstand Voltage: 2000V AC
 5. Operating Current: 20A
 6. Operating Voltage: AC 300V
 7. Waterproof Rate: IP67 (Mated)
 8. Seal Nut: Nylon, Black
 9. Seal Ring: Silicon, Black.
 10. Clamp Ring: Nylon, Black
 11. O-Ring: Silicon, Red
 12. Female Pin: Copper Alloy, Gold Plated
 13. Connector: Nylon+GF, Black
 14. Lock Nut: Nylon, Orange
 15. Spring: SUS
 16. O-Ring: Silicon, Red
 14. RoHS Compliant.
 15. UL Compliant.
 16. Mating Cap: 804-00008-00