

# TMCM-1270 Hardware Manual

Hardware Version V1.00 | Document Revision V1.21 • 2021-SEP-28

**TMCM-1270 is an easy to use smart stepper motor driver module. The module is controlled via a CAN bus interface and comes with two firmware options – TMCL and CANopen. TMCM-1270 features StealthChop™ for absolute silent motor control, SpreadCycle™ for high speed stepper motor commutation, a fully integrated hardware motion controller with SixPoint™ motion ramps, as well as StallGuard2™ and CoolStep™.**



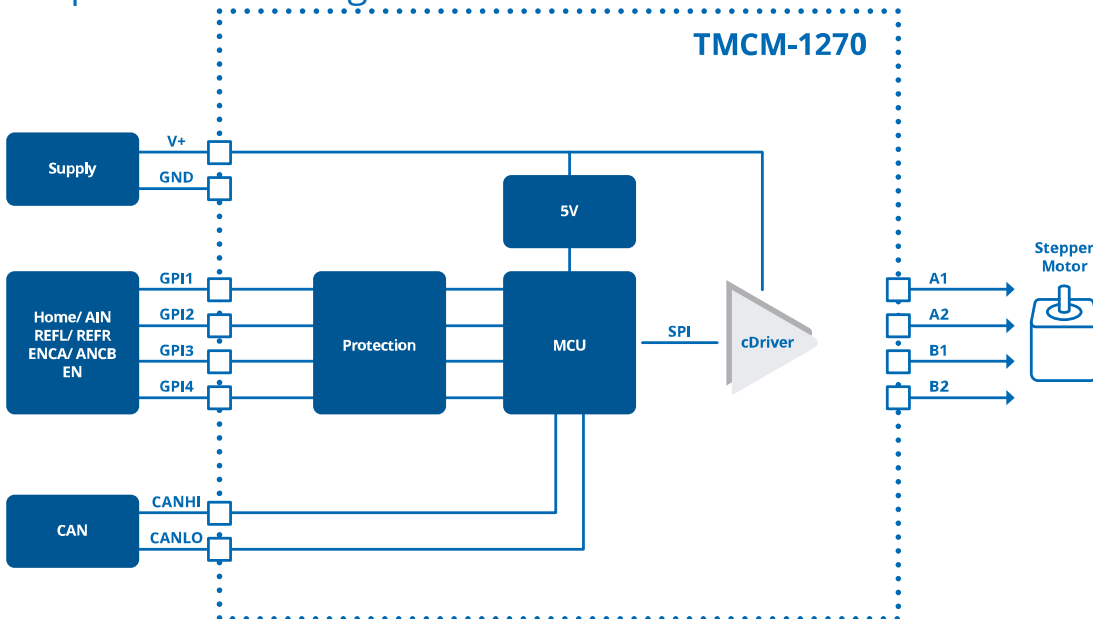
## Features

- Supply Voltage +6 to +24V DC
- CAN bus interface
- TMCL or CANopen protocol
- Integrated **SixPoint™** ramp motion controller
- **StealthChop™** silent PWM mode
- **SpreadCycle™** smart mixed decay
- **StallGuard2™** load detection
- **CoolStep™** autom. current scaling

## Applications

- Lab-Automation
- Manufacturing
- Robotics
- Factory Automation
- CNC
- Laboratory Automation

## Simplified Block Diagram



# Contents

<b>1</b>	<b>Features</b>	<b>3</b>
1.1	General Features	3
1.2	TRINAMIC's Unique Features	4
1.2.1	stealthChop™	4
1.2.2	spreadCycle™	4
1.2.3	stallGuard2	4
1.2.4	coolStep	5
1.2.5	sixPoint Motion Controller	5
<b>2</b>	<b>Order Codes</b>	<b>7</b>
<b>3</b>	<b>Mechanical and Electrical Interfacing</b>	<b>8</b>
3.1	TMC-1270 Dimensions	8
3.2	TMC-1270 Dimensions and Weight	8
<b>4</b>	<b>Connectors and LEDs</b>	<b>10</b>
4.1	Power supply and I/O Connector	10
4.2	CAN Connection	11
4.3	Motor Connector	12
4.4	LEDs	13
<b>5</b>	<b>Functional Description</b>	<b>14</b>
5.1	Typical Application Wiring	14
5.2	Inputs	14
<b>6</b>	<b>Operational Ratings and Characteristics</b>	<b>15</b>
6.1	Absolute Maximum Ratings	15
6.2	Electrical Characteristics (Ambient Temperature 25° C)	15
6.3	I/O Ratings (Ambient Temperature 25° C)	15
6.4	Functional Characteristics	16
6.5	Other Requirements	16
<b>7</b>	<b>Abbreviations used in this Manual</b>	<b>16</b>
<b>8</b>	<b>Figures Index</b>	<b>17</b>
<b>9</b>	<b>Tables Index</b>	<b>18</b>
<b>10</b>	<b>Supplemental Directives</b>	<b>19</b>
10.1	Producer Information	19
10.2	Copyright	19
10.3	Trademark Designations and Symbols	19
10.4	Target User	19
10.5	Disclaimer: Life Support Systems	19
10.6	Disclaimer: Intended Use	19
10.7	Collateral Documents & Tools	20
<b>11</b>	<b>Revision History</b>	<b>21</b>
11.1	Hardware Revision	21
11.2	Document Revision	21



# 1 Features

The TMCM-1270 is a complete stepper driver and controller solution with state of the art feature set. It is highly integrated and offers convenient handling via CAN interface. The TMCM-1270 includes driver electronics and a fully featured hardware motion controller. It can be used in many decentralized applications and has been designed for up to 1A RMS (1.2A RMS maximum with appropriate cooling) phase current and 24V DC nominal supply voltage. With StealthChop™, the TMCM-1270 offers absolutely silent and smooth motor operation for lower and medium velocities. SpreadCycle™ is a high performance current controlled chopper mode for highest velocities with perfect zero crossing performance. With StallGuard2™, a sensorless load detection feature is available for automatic end step detection and load monitoring. stallGuard2 is also used for the automatic current scaling feature CoolStep™. The TMCM-1270 comes with a CAN bus interface and four (4) digital IOs.

## 1.1 General Features

### Main Characteristics

- Supply Voltage +24V nom. (+6V to +28V DC)
- 1.2A RMS phase current (ca. 1.7A peak phase current)
- Highest micro step resolution, up to 256 micro steps per full step
- Available with enclosure
- Permanent onboard parameter storage
- Advanced SixPoint™ ramp hardware motion controller
- Noiseless StealthChop™ chopper mode for slow to medium velocities
- High performance SpreadCycle™ chopper mode
- High-precision sensorless load measurement with StallGuard2™
- Automatic current scaling algorithm CoolStep™ to save energy and keep your drive cool

### I/Os

- Home and reference switch inputs
- Enable input to power-on/-off driver H-bridges
- Optionally configurable analog input
- Optionally configurable incremental encoder inputs (quadrature channels A and B only, no N channel)

### CAN Bus Interface

- Standard CAN Bus Interface for control and configuration
- CAN bit rate of 20...1000kBit/s
- TMCL-based protocol with TMCL firmware option
- CANopen protocol with DS402 device profile with CANopen firmware option



## 1.2 TRINAMIC's Unique Features

### 1.2.1 stealthChop™

stealthChop is an extremely quiet mode of operation for low and medium velocities. It is based on a voltage mode PWM. During standstill and at low velocities, the motor is absolutely noiseless. Thus, stealthChop operated stepper motor applications are very suitable for indoor or home use. The motor operates absolutely free of vibration at low velocities. With stealthChop, the motor current is applied by driving a certain effective voltage into the coil, using a voltage mode PWM. There are no more configurations required except for the regulation of the PWM voltage to yield the motor target current.

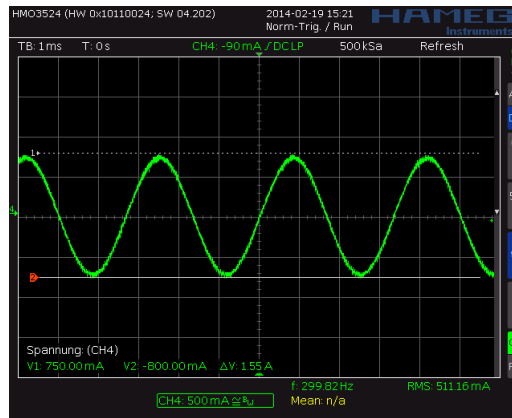


Figure 1: Motor coil sine wave current using stealthChop (measured with current probe)

### 1.2.2 spreadCycle™

The spreadCycle chopper is a high-precision, hysteresis-based, and simple to use chopper mode, which automatically determines the optimum length for the fast-decay phase. Several parameters are available to optimize the chopper to the application. spreadCycle offers optimal zero crossing performance compared to other current controlled chopper algorithms and thereby allows for highest smoothness. The true target current is powered into the motor coils.

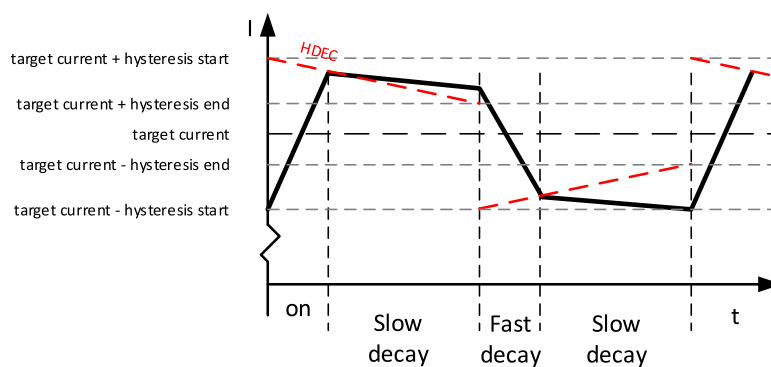


Figure 2: spreadCycle principle

### 1.2.3 stallGuard2

stallGuard2 is a high-precision sensorless load measurement using the back EMF of the motor coils. It can be used for stall detection as well as other uses at loads below those which stall the motor. The



stallGuard2 measurement value changes linearly over a wide range of load, velocity, and current settings. At maximum motor load, the value reaches zero or is near zero. This is the most energy-efficient point of operation for the motor.

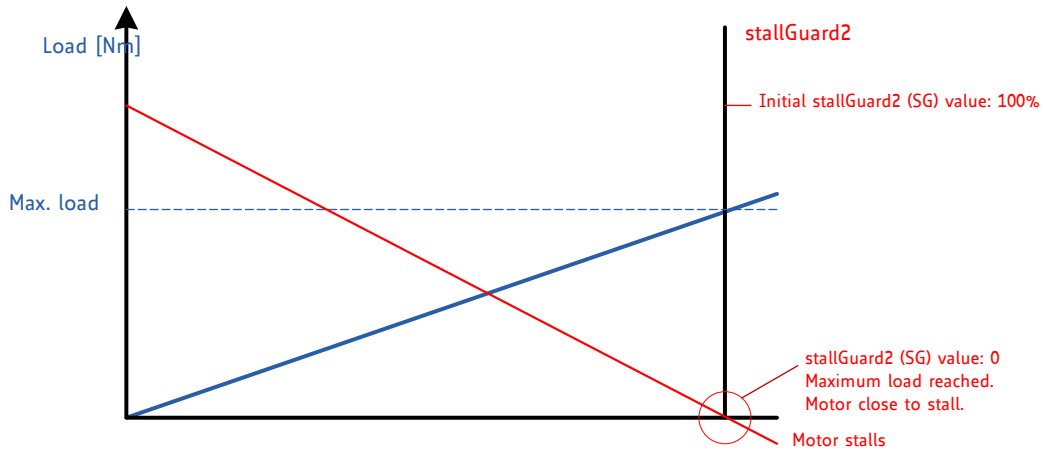


Figure 3: stallGuard2 Load Measurement as a Function of Load

### 1.2.4 coolStep

coolStep is a load-adaptive automatic current scaling based on the load measurement via stallGuard2. coolStep adapts the required current to the load. Energy consumption can be reduced by as much as 75%. coolStep allows substantial energy savings, especially for motors which see varying loads or operate at a high duty cycle. Because a stepper motor application needs to work with a torque reserve of 30% to 50%, even a constant-load application allows significant energy savings because coolStep automatically enables torque reserve when required. Reducing power consumption keeps the system cooler, increases motor life, and allows for cost reduction.

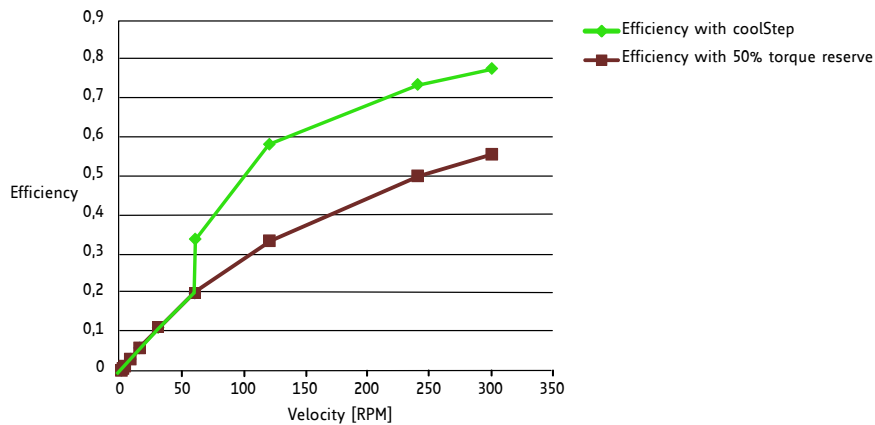


Figure 4: Energy Efficiency Example with coolStep

### 1.2.5 sixPoint Motion Controller

TRINAMIC’s sixPoint motion controller is a new type of ramp generator, which offers faster machine operation compared to the classical linear acceleration ramps. The sixPoint ramp generator allows adapting the



acceleration ramps to the torque curves of a stepper motor and uses two different acceleration settings each for the acceleration phase and for the deceleration phase

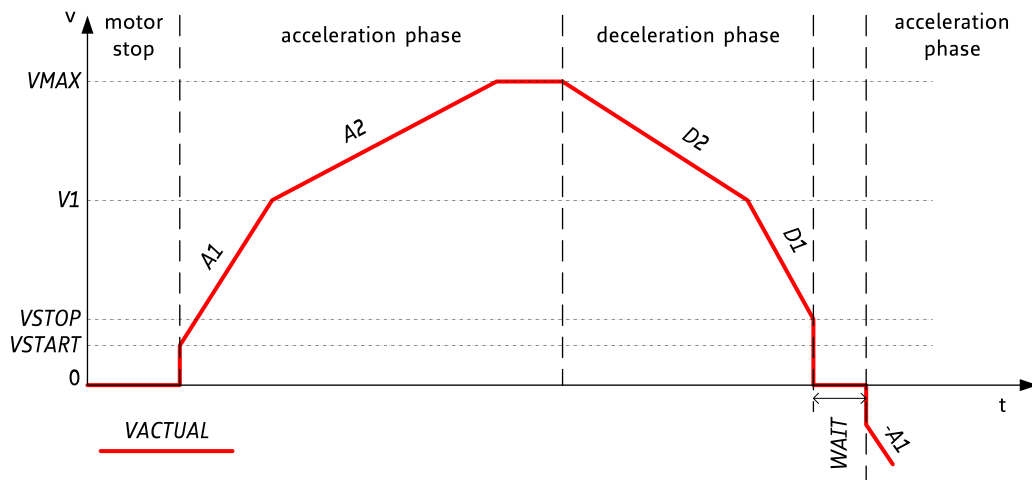


Figure 5: Typical motion profile with TRINAMIC's sixPoint motion controller



## 2 Order Codes

Order Code	Description	Size (LxWxH)
TMCM-1270-TMCL	Controller/Driver Module without motor, +24V DC, CAN Bus interface, TMCL firmware	42mm x 42mm x 12mm
TMCM-1270-CANOpen	Controller/Driver Module without motor, +24V DC, CAN Bus interface, CANopen firmware	42mm x 42mm x 12mm

*Table 1: Order codes*

Order Code	Description
TMCM-1270-CABLE	Cable loom for TMCM-1270: <ul style="list-style-type: none"> <li>• 1x cable loom for motor connector with 4-pin JST PH series connector</li> <li>• 1x cable loom for Power supply and I/O connector with 10-pin JST PH series connector</li> </ul>

*Table 2: Order codes cable loom*



### 3 Mechanical and Electrical Interfacing

#### 3.1 TMCM-1270 Dimensions

The dimensions of the TMCM-1270 are approx. 42mm x 42mm x 12mm. There are two mounting holes for M3 screws for mounting the TMCM-1270 on the back bell of a NEMA17 / 42mm flange size stepper motor (screw/thread length depends on motor size).

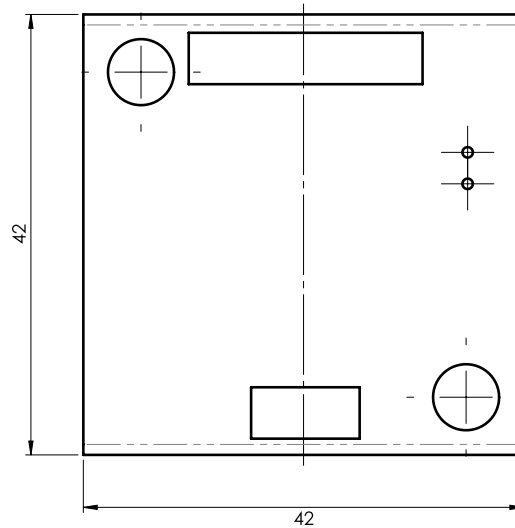


Figure 6: TMCM-1270 top view mechanical dimensions

#### 3.2 TMCM-1270 Dimensions and Weight

When mounted to a NEMA17 stepper motor the overall size is housing height plus motor body size.

Order Code	L in mm	Weight in g
TMCM-1270	12 ±0,2	≈ 32

Table 3: Length and weight





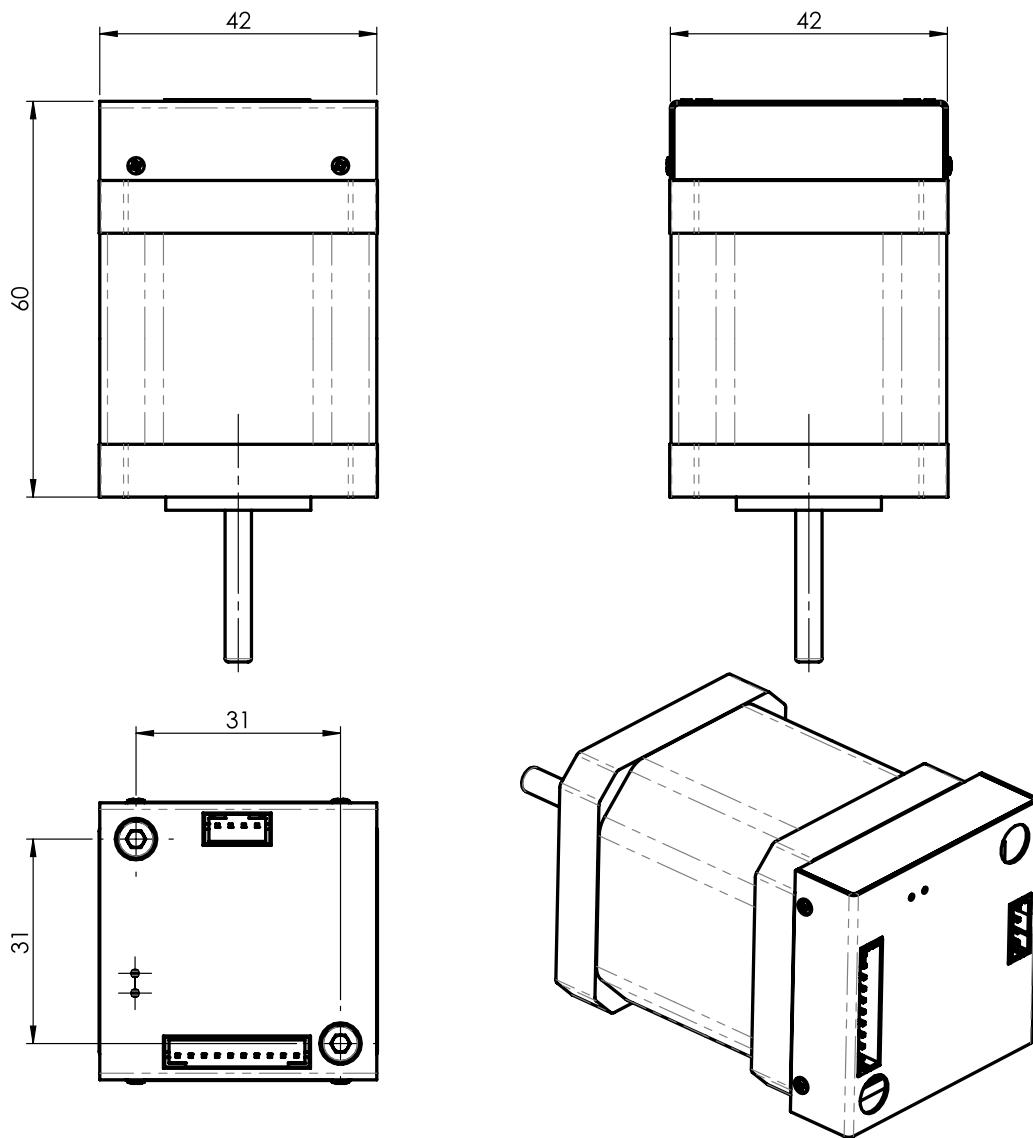


Figure 7: TCCM-1270 mechanical dimensions with a NEMA17 stepper motor



## 4 Connectors and LEDs

The TMCM-1270 offers two connectors - one 10-pin connector for power supply, communication (CAN) and four Inputs and one four pin connector for connecting the motor.



Figure 8: TMCM-1270 connectors

Overview of connector and mating connector types:

Label	Connector type	Mating connector type
Power supply and I/O connector	JST B10B-PH-K-S (JST PH series, 10pins, 2mm pitch)	Connector housing: JST PHR-10 Contacts: JST SPH-002T-P0.5S Wire: 0.22mm <sup>2</sup> , AWG 24
Motor connector	JST B4B-PH-K-S (JST PH series, 4pins, 2mm pitch)	Connector housing: JST PHR-4 Contacts: JST SPH-002T-P0.5S Wire: 0.22mm <sup>2</sup> , AWG 24

Table 4: Connector and mating connectors

### 4.1 Power supply and I/O Connector

Pin no.	Pin name	Description
1	GND	Supply and signal ground connection
2	+24V	Supply voltage input (+6V to +28V DC)
3	CAN_H	Differential CAN bus signal (non-inverting)



Pin no.	Pin name	Description
4	CAN_L	Differential CAN bus signal (inverting)
5	GND	Signal ground connection
6	+5V	5V output, 100mA maximum load, e.g. for end / home switch circuit or external encoder supply
7	HOME (GPIO)	General purpose input 0, can be used as HOME switch input, also. Configurable as analog input AIN0 via software (+5V compatible, internal 10k pull-up to +5V)
8	REFL (GPIO1)	General purpose input 1, can be used as left reference / stop switch input REFL / STOP_L, also. Configurable as incremental encoder input channel A via software (+5V TTL compatible, internal 10k pull-up to +5V)
9	REFR (GPIO2)	General purpose input 2, can be used as right reference / stop switch input REFR / STOP_R, also. Configurable as incremental encoder input channel B via software (+5V TTL compatible, internal 10k pull-up to +5V)
10	ENN (GPIO3)	ENABLE NOT input (active low) for driver stage, 0 = enabled, 1 = disabled (+5V TTL compatible, internal 10k pull-up to +5V)

Table 5: TMCM-1270 Power supply and I/O connector pin assignment

**NOTICE**

**Always keep the power supply voltage below the upper limit of 28V!** Otherwise the driver electronics will be seriously damaged. Especially, when the selected operating voltage is near the upper limit a regulated power supply is highly recommended.

**NOTICE**

**Add external power supply capacitors!** It is recommended to connect an electrolytic capacitor of significant size (e.g. 470µF/35V) to the power supply lines next to the TMCM-1270!

Rule of thumb for size of electrolytic capacitor:  $C = \frac{1000\mu F}{A} \times I_{SUPPLY}$

In addition to power stabilization (buffer) and filtering this added capacitor will also reduce any voltage spikes which might otherwise occur from a combination of high inductance power supply wires and the ceramic capacitors. In addition it will limit slew-rate of power supply voltage at the module. The low ESR of ceramic-only filter capacitors may cause stability problems with some switching power supplies.

**NOTICE**

**Tie ENN to GND in order to enable driver stage!** Please note that pin 10 of the Power supply and I/O connector is a hardware driver stage enable input (active low) with an internal pull-up resistor. In order to enable motor driver stage and be able to move the motor using appropriate software commands it is necessary to tie this input to GND.

## 4.2 CAN Connection

For remote control and communication with a host system the TMCM-1270 provides a CAN bus interface. For proper operation the following items should be taken into account when setting up a CAN network:



**Bus Structure** The network topology should follow a bus structure as closely as possible. That is, the connection between each node and the bus itself should be as short as possible. Basically, it should be short compared to the length of the bus.

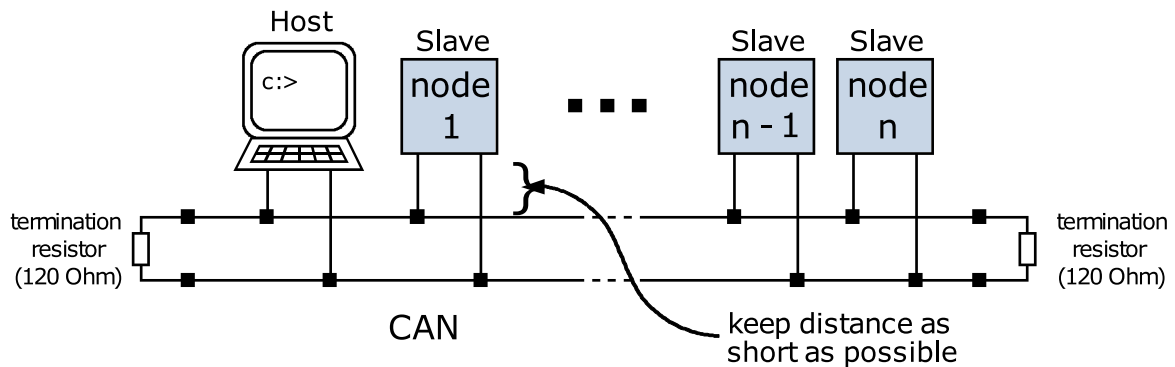


Figure 9: CAN bus structure

**Bus Termination** Especially for longer busses and/or multiple nodes connected to the bus and/or high communication speeds, the bus should be properly terminated at both ends. The TMCM-1270 does not integrate any termination resistor. Therefore, 120 Ohm termination resistors at both ends of the bus have to be added externally.

**Number of Nodes** The bus transceiver used on the TMCM-1270 (TJA1051) supports at least 100 nodes under optimum conditions. Practically achievable number of nodes per CAN bus highly depend on bus length (longer bus → less nodes) and communication speed (higher speed → less nodes).

**CAN Bus Adapters** To quickly connect to the TMCM-1270 a PC based intergrated development environment TMCL-IDE is available. Latest release can be downloaded for free from our web site: [www.trinamic.com](http://www.trinamic.com) A number of common CAN interface adapters from different manufactures is supported from within this software. Please make sure to check our web site from time to time for the latest version of the software!

### 4.3 Motor Connector

Pin no.	Pin name	Description
1	A1	Motor phase A pin 1
2	A2	Motor phase A pin 2
3	B1	Motor phase B pin 1
4	B2	Motor phase B pin 2

Table 6: Motor connector pinning



**NOTICE**

**Do not connect or disconnect motor during operation!** Motor cable and motor inductivity might lead to voltage spikes when the motor is connected / disconnected while energized. These voltage spikes might exceed voltage limits of the driver MOSFETs and might permanently damage them. Therefore, always switch off or disconnect power supply before connecting or disconnecting the motor.

**4.4 LEDs**

The TMCM-1270 includes two LEDs: one green status LED and one red error LED. See figure 10 for LED location.

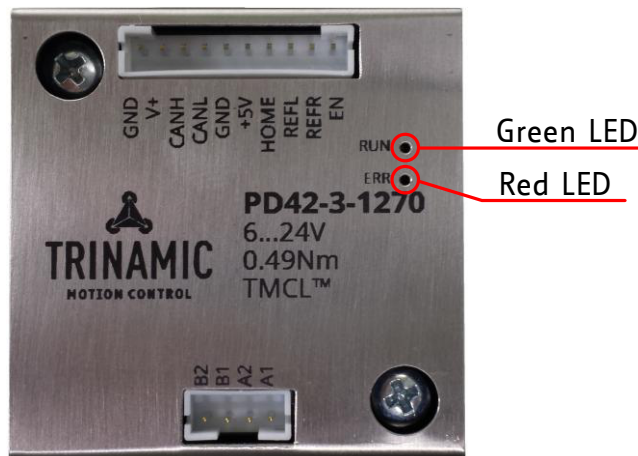


Figure 10: TMCM-1270 LED colors and location

Depending on the firmware option (TMCL or CANopen), these LEDs have different functionality. Main states for TMCL:

State green LED	State red LED	Description TMCL Firmware
Flashing	off	Firmware running (normal operation mode)
Permanent on	Permanent on	Bootloader mode, firmware update supported

Table 7: LED functionality description

For CANopen firmware LED functionality has been implemented based on CANopen standard.



## 5 Functional Description

### 5.1 Typical Application Wiring

The TMCM-1270 driver/controller's wiring is straightforward as shown in the following figure.

- Power supply must be connected to V+ and GND.
- CAN - use appropriate CAN interface adapter
- ENN - connect ENN signal to GND in order to enable driver stage

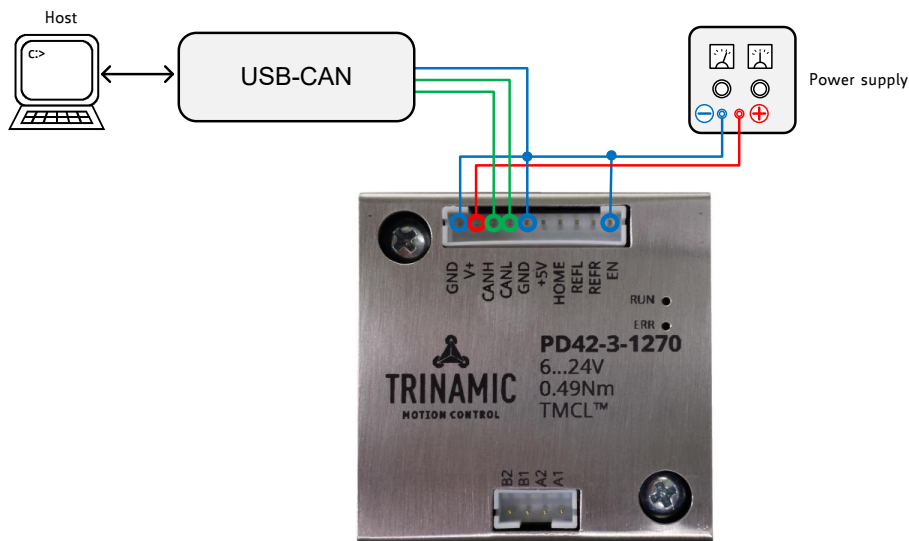


Figure 11: Typical application scenario for remote control of TMCM-1270

### 5.2 Inputs

The four inputs of the TMCM-1270 are +5V TTL compatible with internal pull-ups (10k) to +5V and not optically isolated.



## 6 Operational Ratings and Characteristics

### 6.1 Absolute Maximum Ratings

Parameter	Min	Max	Unit
Supply voltage	+6	+28	V
Working temperature	-30	+40	° C
Motor coil current / sine wave <b>peak</b>		1.7	A
Continuous motor current ( <b>RMS</b> )		1.2	A

#### NOTICE

Stresses above those listed under "Absolute Maximum Ratings" may cause permanent damage to the device. This is a stress rating only and functional operation of the device at those or any other conditions above those indicated in the operation listings of this specification is not implied. Exposure to maximum rating conditions for extended periods may affect device reliability.

### 6.2 Electrical Characteristics (Ambient Temperature 25° C)

Parameter	Symbol	Min	Typ	Max	Unit
Supply voltage	$V_{DD}$	6	24	28	V
Motor coil current / sine wave <b>peak</b> (chopper regulated, adjustable in software)	$I_{COILpeak}$	0	0...1.4	1.7	A
Continuous motor current ( <b>RMS</b> )	$I_{COILRMS}$	0	0...1.0	1.2	A
Power supply current	$I_{DD}$		$\ll I_{COIL}$	$1.7 * I_{COIL}$	A

Table 9: Electrical Characteristics

Please note: maximum motor current settings may require appropriate cooling of the unit

### 6.3 I/O Ratings (Ambient Temperature 25° C)

Parameter	Symbol	Min	Typ	Max	Unit
Input voltage	$V_{IN}$		5	5.5	V
Low level voltage	$V_L$	0		1.75	V
High level voltage	$V_H$	3.25		5	V

Table 10: I/O ratings



## 6.4 Functional Characteristics

Parameter	Description / Value
Control	CAN bus interface and four digital inputs for referencing, incremental encoder, and NOT_ENABLE
Communication	CAN bus interface for control and configuration, 20...1000kBit/s
Driving Mode	spreadCycle, stealthChop, and constant $T_{off}$ chopper, adaptive current control via stallGuard2 and coolstep
Stepping Resolution	Full, 1/2, 1/4, 1/8, 1/16, 1/32, 1/64, 1/128, 1/256 step

Table 11: Functional Characteristics

## 6.5 Other Requirements

Specifications	Description or Value
Cooling	Free air
Working environment	Avoid dust, water, oil mist and corrosive gases, no condensation, no frosting
Working temperature	-30° C to +40° C

Table 12: Other Requirements and Characteristics

## 7 Abbreviations used in this Manual

Abbreviation	Description
CAN	Controller Area Network
IDE	Integrated Development Environment
LED	Light Emmitting Diode
RMS	Root Mean Square value
TMCL	TRINAMIC Motion Control Language
TTL	Transistor Transistor Logic
UART	Universal Asynchronous Receiver Transmitter
USB	Universal Serial Bus

Table 13: Abbreviations used in this Manual





## 8 Figures Index

1	Motor coil sine wave current using stealthChop (measured with current probe) . . . . .	4	6	TMCM-1270 top view mechanical dimensions . . . . .	8
2	spreadCycle principle . . . . .	4	7	TMCM-1270 mechanical dimensions with a NEMA17 stepper motor . . . . .	9
3	stallGuard2 Load Measurement as a Function of Load . . . . .	5	8	TMCM-1270 connectors . . . . .	10
4	Energy Efficiency Example with coolStep . . . . .	5	9	CAN bus structure . . . . .	12
5	Typical motion profile with TRINAMIC's sixPoint motion controller . . . . .	6	10	TMCM-1270 LED colors and loacation . . . . .	13
			11	Typical application scenario for remote control of TMCM-1270 . . . . .	14



## 9 Tables Index

1	Order codes . . . . .	7	9	Electrical Characteristics . . . . .	15
2	Order codes cable loom . . . . .	7	10	I/O ratings . . . . .	15
3	Length and weight . . . . .	8	11	Functional Characteristics . . . . .	16
4	Connector and mating connectors . .	10	12	Other Requirements and Characteris- tics . . . . .	16
5	TMCM-1270 Power supply and I/O connector pin assignment . . . . .	11	13	Abbreviations used in this Manual . .	16
6	Motor connector pinning . . . . .	12	14	Hardware Revision . . . . .	21
7	LED functionality description . . . . .	13	15	Document Revision . . . . .	21



## 10 Supplemental Directives

### 10.1 Producer Information

### 10.2 Copyright

TRINAMIC owns the content of this user manual in its entirety, including but not limited to pictures, logos, trademarks, and resources. © Copyright 2021 TRINAMIC. All rights reserved. Electronically published by TRINAMIC, Germany.

Redistribution of sources or derived formats (for example, Portable Document Format or Hypertext Markup Language) must retain the above copyright notice, and the complete data sheet, user manual, and documentation of this product including associated application notes; and a reference to other available product-related documentation.

### 10.3 Trademark Designations and Symbols

Trademark designations and symbols used in this documentation indicate that a product or feature is owned and registered as trademark and/or patent either by TRINAMIC or by other manufacturers, whose products are used or referred to in combination with TRINAMIC's products and TRINAMIC's product documentation.

This Hardware Manual is a non-commercial publication that seeks to provide concise scientific and technical user information to the target user. Thus, trademark designations and symbols are only entered in the Short Spec of this document that introduces the product at a quick glance. The trademark designation /symbol is also entered when the product or feature name occurs for the first time in the document. All trademarks and brand names used are property of their respective owners.

### 10.4 Target User

The documentation provided here, is for programmers and engineers only, who are equipped with the necessary skills and have been trained to work with this type of product.

The Target User knows how to responsibly make use of this product without causing harm to himself or others, and without causing damage to systems or devices, in which the user incorporates the product.

### 10.5 Disclaimer: Life Support Systems

TRINAMIC Motion Control GmbH & Co. KG does not authorize or warrant any of its products for use in life support systems, without the specific written consent of TRINAMIC Motion Control GmbH & Co. KG.

Life support systems are equipment intended to support or sustain life, and whose failure to perform, when properly used in accordance with instructions provided, can be reasonably expected to result in personal injury or death.

Information given in this document is believed to be accurate and reliable. However, no responsibility is assumed for the consequences of its use nor for any infringement of patents or other rights of third parties which may result from its use. Specifications are subject to change without notice.

### 10.6 Disclaimer: Intended Use

The data specified in this user manual is intended solely for the purpose of product description. No representations or warranties, either express or implied, of merchantability, fitness for a particular purpose



or of any other nature are made hereunder with respect to information/specification or the products to which information refers and no guarantee with respect to compliance to the intended use is given.

In particular, this also applies to the stated possible applications or areas of applications of the product. TRINAMIC products are not designed for and must not be used in connection with any applications where the failure of such products would reasonably be expected to result in significant personal injury or death (safety-Critical Applications) without TRINAMIC's specific written consent.

TRINAMIC products are not designed nor intended for use in military or aerospace applications or environments or in automotive applications unless specifically designated for such use by TRINAMIC. TRINAMIC conveys no patent, copyright, mask work right or other trade mark right to this product. TRINAMIC assumes no liability for any patent and/or other trade mark rights of a third party resulting from processing or handling of the product and/or any other use of the product.

## 10.7 Collateral Documents & Tools

This product documentation is related and/or associated with additional tool kits, firmware and other items, as provided on the product page at: [www.trinamic.com](http://www.trinamic.com).



## 11 Revision History

### 11.1 Hardware Revision

Version	Date	Author	Description
1.00	2016-09-27	TMC	Series version.

Table 14: Hardware Revision

### 11.2 Document Revision

Version	Date	Author	Description
1.00	2016-06-26	BS	Initial release.
1.10	2017-03-05	SK	Update for series version V1.0
1.20	2017-09-27	GE	Product picture and max. current rating updated
1.21	2021-09-28	OK	New block diagram.

Table 15: Document Revision

