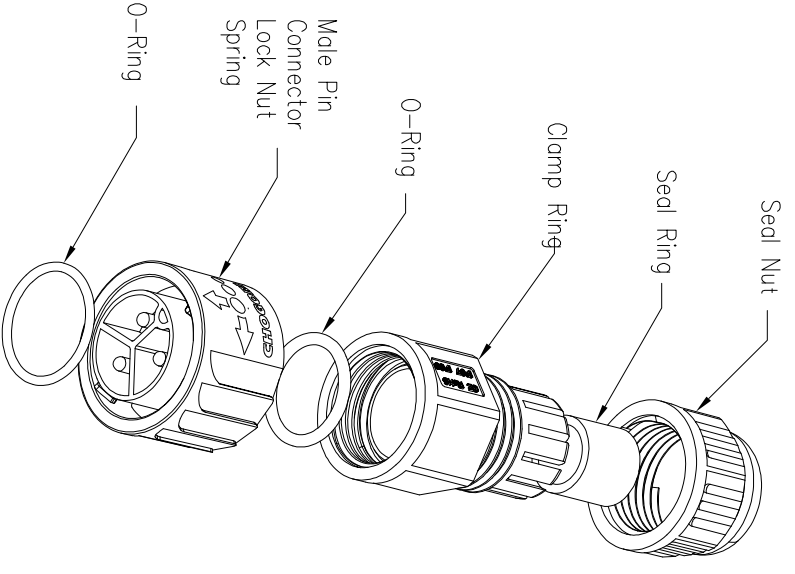
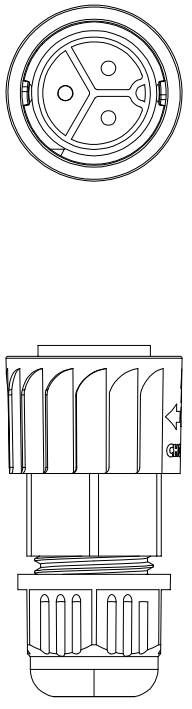
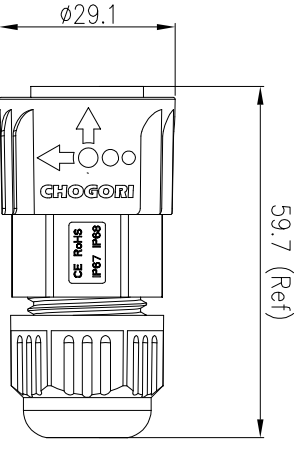
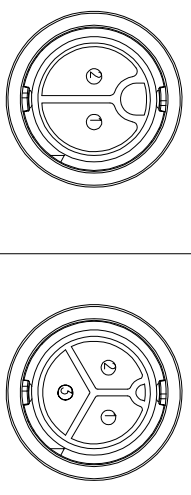


REV.	EN. NO.	DESCRIPTION	SIGN	DATE
C1	N/A	INITIAL DRAWING	Liu	2019/08/13



24XXX131-XX Cable Range OD
 01 OD: $\phi 3.5\text{mm} \sim \phi 6.8\text{mm}$
 02 OD: $\phi 6.8\text{mm} \sim \phi 10.5\text{mm}$
 Pin Number



2 Pin

3 Pin

P/N: 24002131-02

P/N: 24003131-02

Pin Assignments Front View



UNIT: mm
 TOLERANCE
 X: ± 0.25
 XX: ± 0.15
 XXX: ± 0.05
 ANGLES: $\pm 1^\circ$

DESCRIPTION

Large Series Push Lock
 Male Plug With Male Pin

SCALE: 1:1
 REV: C1
 SIZE: A4
 SHEET: 1 OF 1
 * : Inspection Item

CHOGORI

PART NO
 24XXX131-XX

DWG NO
 CUSTOMER

DRAWN BY
 Liu

CHECKED BY
 Mo
 APPROVED BY
 Panson

DATE
 2019/08/13

DATE
 2019/08/13
 DATE
 2019/08/13

- Specification:
- 1.Operation Temperature: $-45^\circ\text{C} \sim 105^\circ\text{C}$.
 - 2.Insulation Resistance: 100M Ω at DC500V.
 - 3.Contact Resistance: <10m Ω .
 - 4.Withstand Voltage: 2000V AC
 - 5.Operating Current: 20A
 - 6.Operating Voltage: AC 300V
 - 7.Waterproof Rate: IP67 (Mated)
 - 8.Seal Nut: Nylon, Black
 - 9.Seal Ring: Silicon, Black.
 - 10.Clamp Ring: Nylon, Black
 - 11.O-Ring: Silicon, Red
 - 12.Male Pin: Copper Alloy, Gold Plated
 - 13.Connector: Nylon+GF, Black
 - 14.Lock Nut: Nylon, Blue
 - 15.Spring: SUS
 - 16.O-Ring: Silicon, Red
 - 14.RoHS Compliant.
 - 15.UL Compliant.
 - 16.Mating Cap: 804-00008-00