

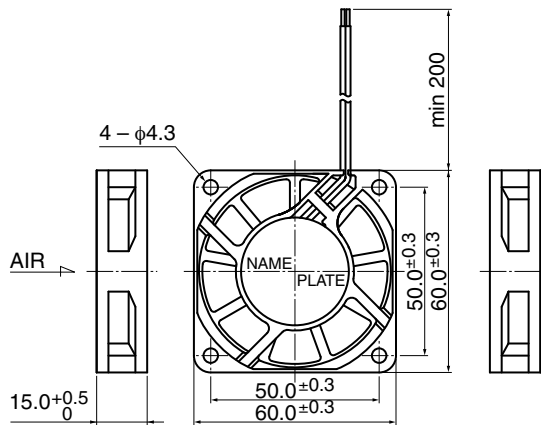
06015KA (2406KL)

60[□]X15^L

DC Axial Fan Ball Bearing



Outline



General Specifications

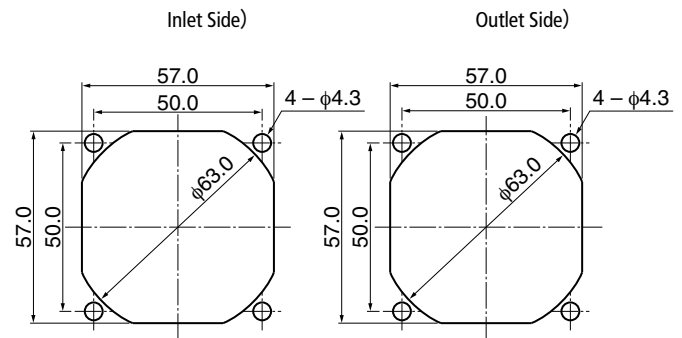
Motor Protection Auto Restart / Polarity Protection
 Insulation Resistance 10MΩ or over with a DC500V Megger
 Dielectric Withstand Voltage : AC700V 1s
 Allowable Ambient : -10°C ~ +60°C (Operating)
 Temperature Range -40°C ~ +60°C (Storage)
 non-condensing environment

Expected Life

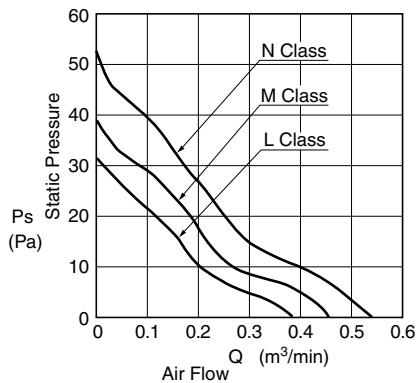
※ Failure Rate: 10% (L10 Life)

25°C 70,000 (Hours)

Panel Out-cuts



Characteristic Curves



Material

Casing : Plastic (Black) UL94V-0
 Impeller : Plastic (Black) UL94V-0
 Bearing : Ball Bearing
 Lead Wire : UL1007 AWG26 + : Red, - : Black

Specifications

Model	Product No.	Rating Voltage	Operating Voltage	Current	Input Power	Speed	Max. Air Flow		Max. Static Pressure		Noise	Mass
		(V)	(V)				(m ³ /min) ^{*1}	(CFM) ^{*1}	(Pa)	(In H ₂ O)		
06015KA-12L-AA-	00	12	6.0 ~ 13.8	0.09	1.08	3600	0.40	14.1	31.3	0.13	28.0	45
06015KA-12M-AA-	00			0.13	1.56	4100	0.45	15.9	39.7	0.16	31.0	
06015KA-12N-AA-	00			0.16	1.92	4600	0.52	18.4	51.2	0.21	34.0	
06015KA-24L-AA-	00	24	12.0 ~ 27.6	0.06	1.44	3600	0.40	14.1	31.3	0.13	28.0	
06015KA-24M-AA-	00			0.07	1.68	4100	0.45	15.9	39.7	0.16	31.0	
06015KA-24N-AA-	00			0.10	2.40	4600	0.52	18.4	51.2	0.21	34.0	

Rotation: Clockwise as seen from the label side
 Airflow Outlet: Label side

*1: Average Values in Free Air