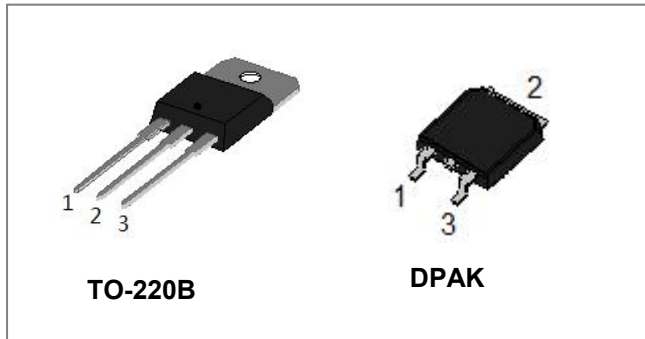
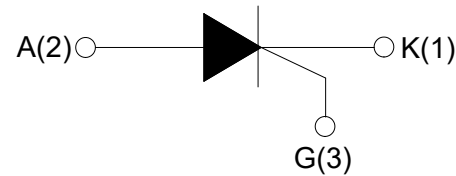


SCT151 Series 12A SCRs



Circuit Diagram



Description

With high ability to withstand the shock loading of large current, SCT151 series of silicon controlled rectifiers provide high dv/dt rate with strong resistance to electromagnetic interference. They are especially recommended for use on solid state relay, motorcycle, power charger, T-tools etc.

Maximum Ratings:

Characteristics	Symbol	Condition	Max.	Units
Storage junction temperature range	T_{stg}	-	-40-150	°C
Operating junction temperature range	T_j	-	-40-125	°C
Repetitive peak off-state voltage($T_j=25^\circ\text{C}$)	V_{DRM}	-	650/800	V
Repetitive peak reverse voltage($T_j=25^\circ\text{C}$)	V_{RRM}	-	650/800	V
RMS on-state current	$I_{(TRMS)}$	DPAK($T_c=98^\circ\text{C}$)	12	A
		TO-220B (Non-Ins)($T_c=100^\circ\text{C}$)		
Non repetitive surge peak on-state current ($t_p=10\text{ms}$)	I_{TSM}	-	120	A
I^2t value for fusing ($t_p=10\text{ms}$)	I^2t	-	72	A^2s
Repetitive rate of rise of on-state current ($I_G=2 \times I_{GT}$)	dI_T/dt	-	50	$\text{A}/\mu\text{s}$
Peak gate current	I_{GM}	-	2	A
Peak gate power	P_{GM}	-	5	W
Average gate power dissipation	$P_{G(AV)}$	-	0.5	W

Electrical Characteristics (T_j=25°C unless otherwise specified)

Symbol	Test Condition	Value			Unit
		MIN.	TYP.	MAX.	
I _{GT}	V _D =12V R _L =33Ω	-	4	15	mA
V _{GT}		-	0.75	1.5	V
V _{GD}	V _D =V _{DRM} T _j =125°C R _L =3.3KΩ	0.2	-	-	V
I _L	I _G =1.2I _{GT}	-	12	40	mA
I _H	I _T =500mA	-	12	30	mA
dV/dt	V _D =2/3V _{DRM} Gate Open T _j =125°C	200	400	-	V/μs

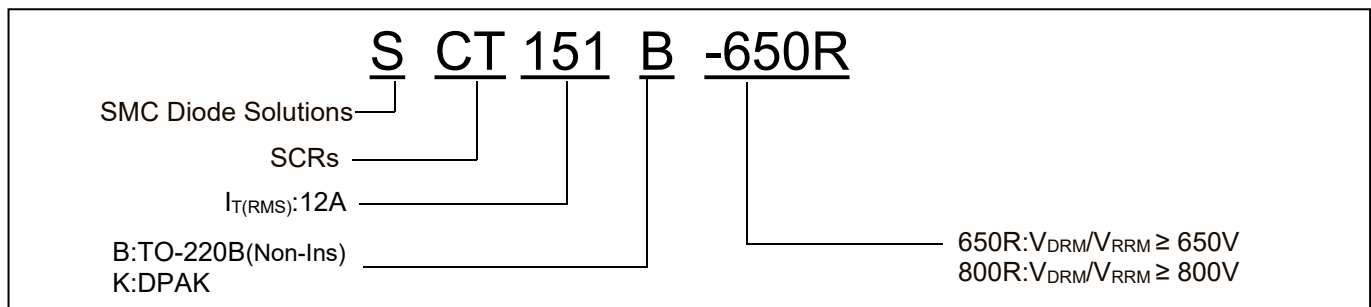
Static Characteristics

Symbol	Condition	Max.	Units
V _{TM}	I _T =23A t _p =380μs, T _j =25°C	1.6	V
I _{DRM}	V _D =V _{DRM} V _R =V _{RRM} , T _j =25°C	10	μA
I _{RRM}	V _D =V _{DRM} V _R =V _{RRM} , T _j =125°C	1	mA

Thermal Resistances

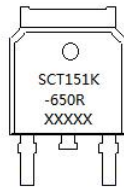
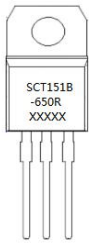
Symbol	Condition	Value	Units
R _{th(j-c)}	Junction to case(AC)	DPAK	1.4
		TO-220B (Non-Ins)	1.3

Ordering Information



Device	Package	Shipping
SCT151B-650R	TO-220B	50pcs/ Tube
SCT151K -650R/800R	DPAK	2500pcs/ Reel
SCT151K -650R/800RTR	DPAK	2500pcs/ Reel

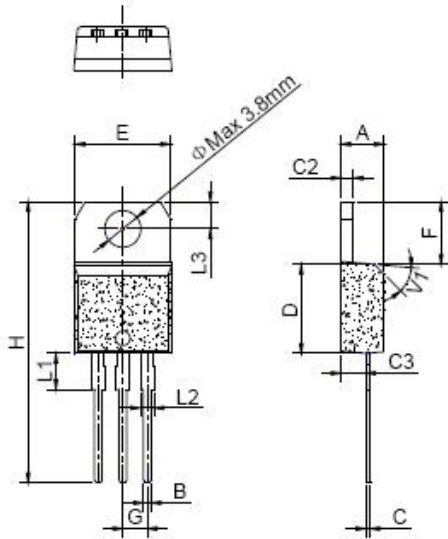
Marking Diagram



Where XXXXX is YYWWL

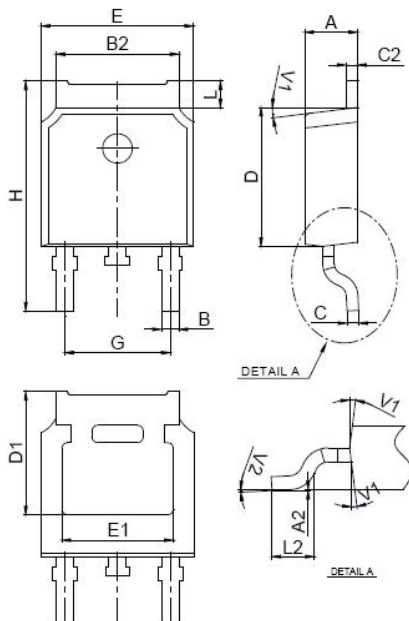
SCT151B-650R = Part name
SCT151K-650R = Part name
YY = Year
WW = Week
L = Lot Number

Mechanical Dimensions TO-220B(Non-Ins)



SYMBOL	Millimeters			Inches		
	Min.	Typ.	Max.	Min.	Typ.	Max.
A	4.40		4.60	0.173		0.181
B	0.61		0.88	0.024		0.035
C	0.46		0.70	0.018		0.028
C2	1.21		1.32	0.048		0.052
C3	2.40		2.72	0.094		0.107
D	8.60		9.70	0.339		0.382
E	9.60		10.4	0.378		0.409
F	6.20		6.60	0.244		0.260
G		2.54			0.1	
H	28.0		29.8	1.102		1.173
L1		3.75			0.148	
L2	1.14		1.70	0.045		0.067
L3	2.65		2.95	0.104		0.116
V1		45°			45°	

Mechanical Dimensions DPAK



SYMBOL	Millimeters			Inches		
	Min.	Typ.	Max.	Min.	Typ.	Max.
A	2.10		2.50	0.083		0.098
A2	0		0.10	0		0.004
B	0.66		0.86	0.026		0.034
B2	5.18		5.48	0.202		0.216
C	0.40		0.60	0.016		0.024
C2	0.44		0.58	0.017		0.023
D	5.90		6.30	0.232		0.248
D1	5.30REF			0.209REF		
E	6.40		6.80	0.252		0.268
E1	4.63			0.182		
G	4.47		4.67	0.176		0.184
H	9.50		10.70	0.374		0.421
L	1.09		1.21	0.043		0.048
L2	1.35		1.65	0.053		0.065
V1	7°			7°		
V2	0°		6°	0°		6°

Ratings and Characteristics Curves

FIG.1: Maximum power dissipation versus RMS on-state current

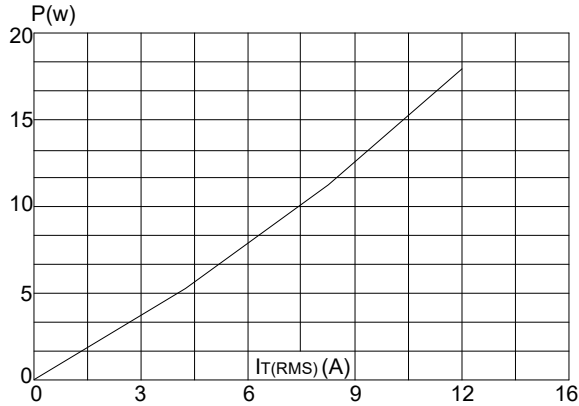


FIG.3: Surge peak on-state current versus number of cycles

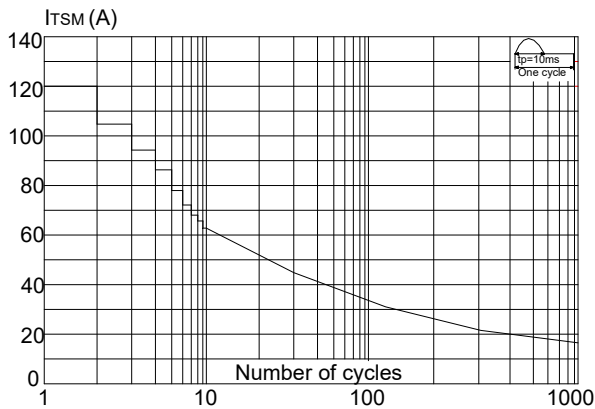


FIG.5: Non-repetitive surge peak on-state current for a sinusoidal pulse with width $t_p < 10\text{ms}$, and corresponding value of I^2t ($dI/dt < 50\text{A}/\mu\text{s}$)

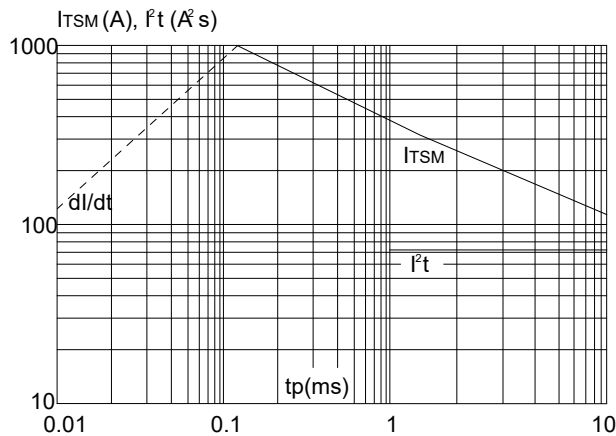


FIG.2: RMS on-state current versus case temperature

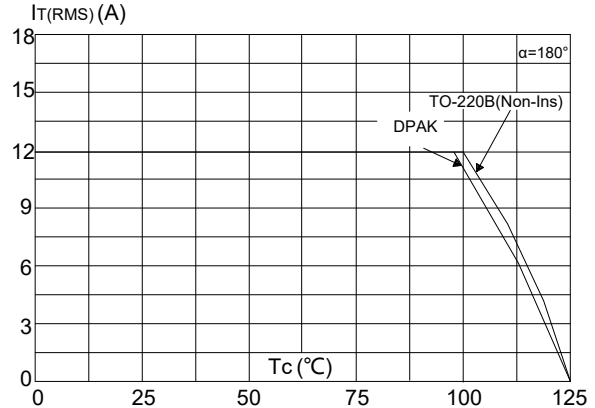


FIG.4: On-state characteristics (maximum values)

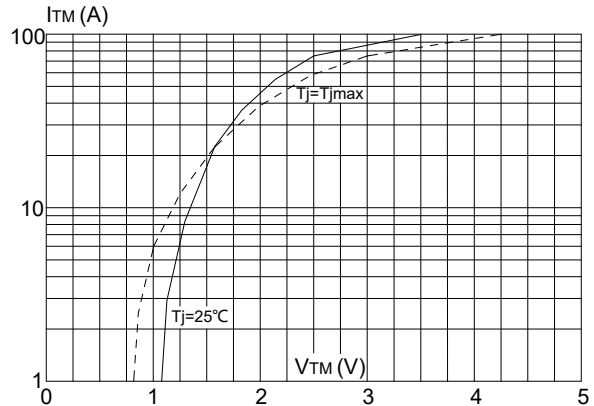
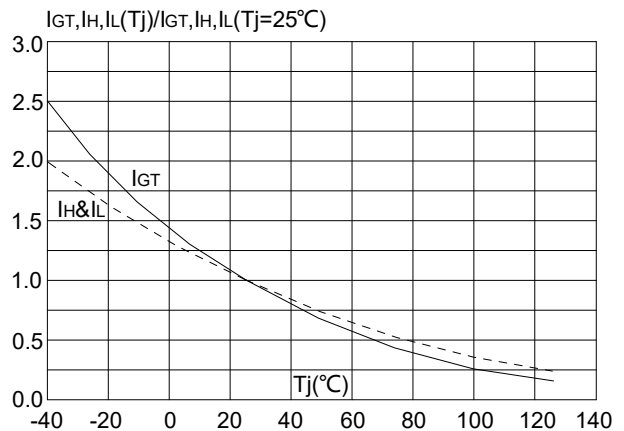


FIG.6: Relative variations of gate trigger current, holding current and latching current versus junction temperature



Technical Data
Data Sheet N2049, Rev.-



DISCLAIMER:

- 1- The information given herein, including the specifications and dimensions, is subject to change without prior notice to improve product characteristics. Before ordering, purchasers are advised to contact the SMC Diode Solutions sales department for the latest version of the datasheet(s).
- 2- In cases where extremely high reliability is required (such as use in nuclear power control, aerospace and aviation, traffic equipment, medical equipment, and safety equipment), safety should be ensured by using semiconductor devices that feature assured safety or by means of users' fail-safe precautions or other arrangement.
- 3- In no event shall SMC Diode Solutions be liable for any damages that may result from an accident or any other cause during operation of the user's units according to the datasheet(s). SMC Diode Solution assumes no responsibility for any intellectual property claims or any other problems that may result from applications of information, products or circuits described in the datasheets.
- 4- In no event shall SMC Diode Solutions be liable for any failure in a semiconductor device or any secondary damage resulting from use at a value exceeding the absolute maximum rating.
- 5- No license is granted by the datasheet(s) under any patents or other rights of any third party or SMC Diode Solutions.
- 6- The datasheet(s) may not be reproduced or duplicated, in any form, in whole or part, without the expressed written permission of SMC Diode Solutions.
- 7- The products (technologies) described in the datasheet(s) are not to be provided to any party whose purpose in their application will hinder maintenance of international peace and safety nor are they to be applied to that purpose by their direct purchasers or any third party. When exporting these products (technologies), the necessary procedures are to be taken in accordance with related laws and regulations..