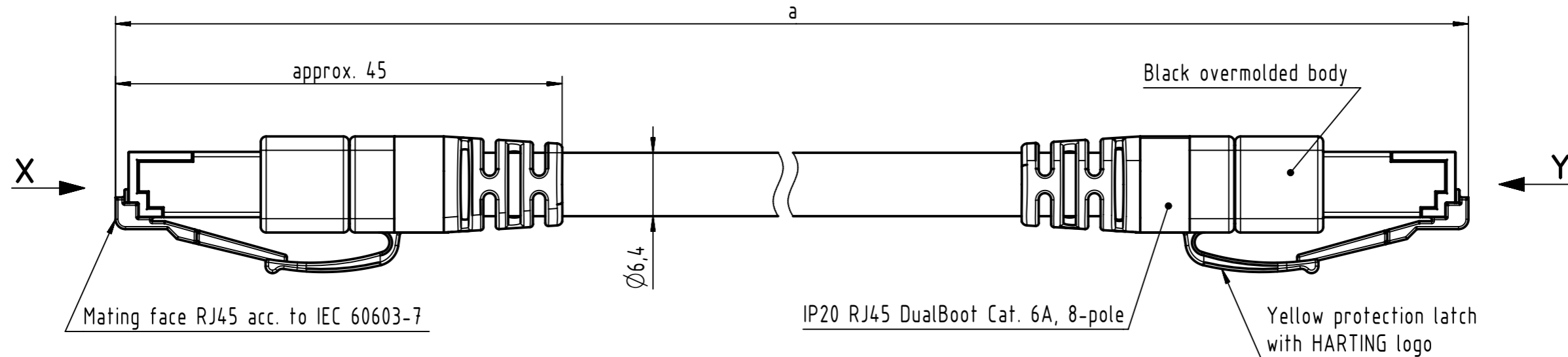
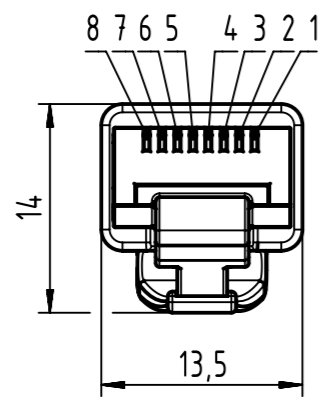


Connector Location A

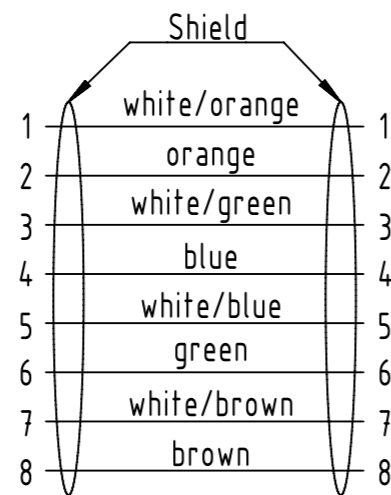
Connector Location B



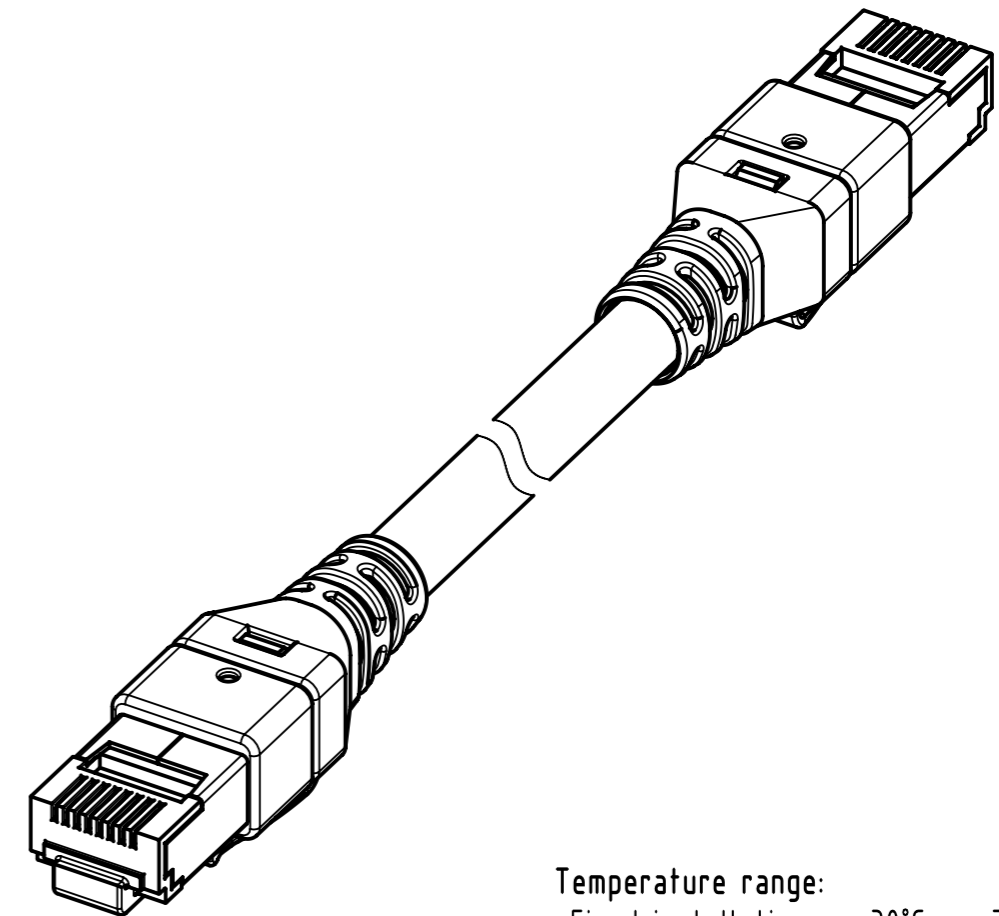
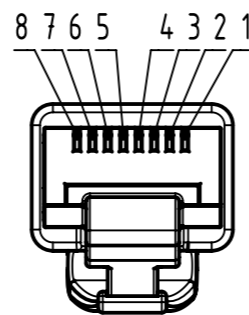
X  
male



Loading Plan  
acc. to TIA/EIA 568B



Y  
male



Temperature range:  
- Fixed installation: -30°C ... +75°C  
- Dynamic installation: -5°C ... +50°C

**NOTE:**

- For lengths < 1.0m:  
- relative positioning of the connectors to each other will be as presented in the drawing, however with an admissible angular deviation around cable axis of  $\pm 30^\circ$
- For lengths  $\geq 1.0m$ :  
- relative positioning of the connectors to each other not obligatory
- \* Cat.6A 10 Gbit/s Ethernet transmission possible for lengths up to 45m

	All rights reserved Department HCS - RO HARTING Customised Solutions D-32339 Espelkamp	All Dimensions in mm	Tech. Character.	Free size tol.	According to production drawing
		Created by MUNTEANV Muntean	Inspected by 402676 Gross	Standardisation MUNTEANV Muntean	Date 2022-04-07
Title RJ45 cable 4x2xAWG26/7 CAT6A PUR		Type TB		Number 094747471XX	
Doc-Key / ECM-Nr. 100170398/UGD/012/P 500000215376					Rev. P
					Page 1/2

